

POSEIDON SE7EN USER MANUAL

VERSION 1.3

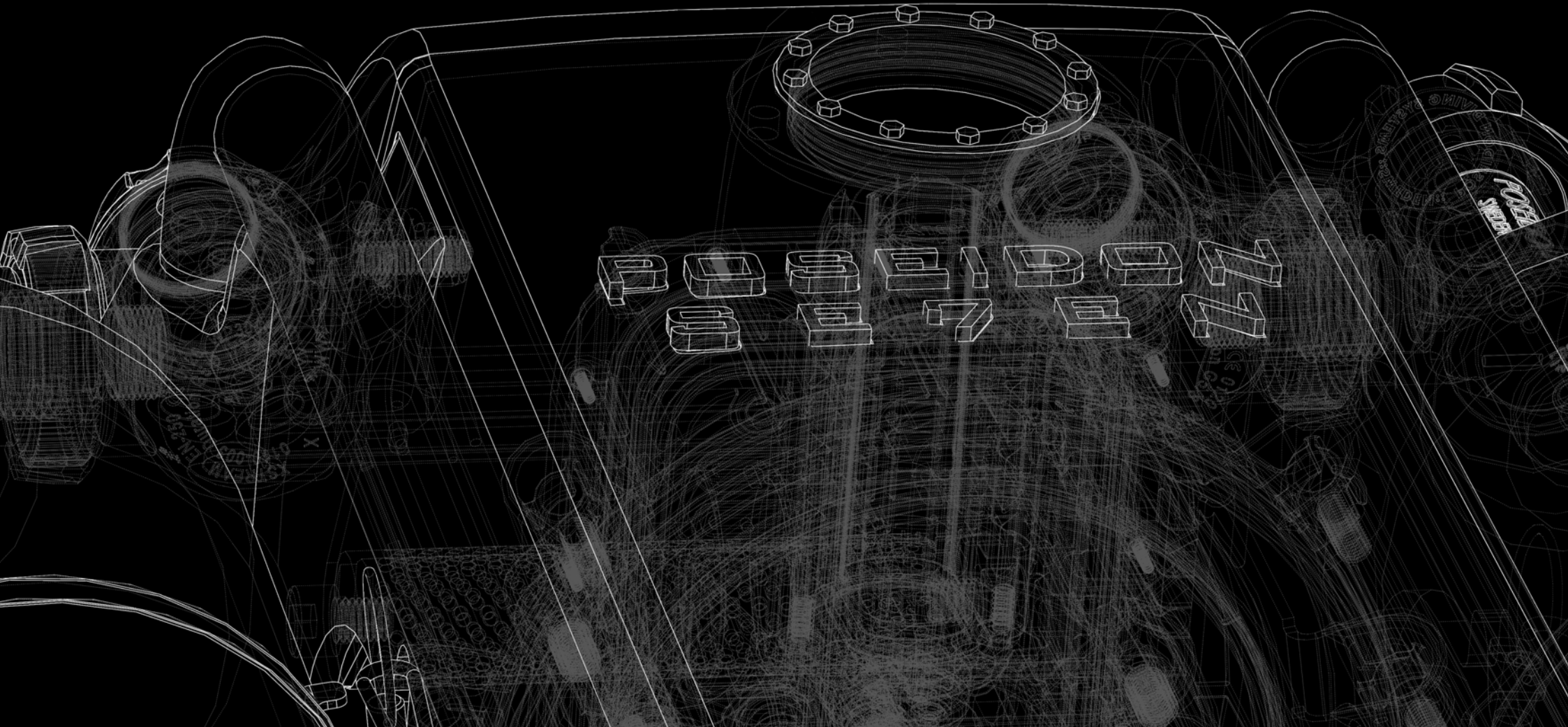




Table of Contents

Table of Contents	i
Conventions Used in this Guide	iv
Preface	v
Conformance With CE Requirements	vi

Chapter 1 - Preparation & Assembly

Part 1 – Preparation

An Overview of the Poseidon SE7EN	1
Primary Display	1
Open-Circuit / Closed-Circuit Mouthpiece	2
Automatic diluent addition valve (ADV)	2
Hheads-up display (HUD)	2
Breathing loop overview	3
Carbon dioxide absorbent cartridge	4
Gas injection module	4
Electronics module	4
Smart battery	4
Smart battery care	5
Safety	5
Charging	6
Long-term storage	7
Decompression data	7
Dive log data	8
Bluetooth connection	8
O-ring care and maintenance	9
Cylinders and regulators	10
Filling the cylinders	11

Part 2 – Assembly

Assembly	12
1. Stabjacket / BCD / Wing.	13
2. Cylinder attachment.	14
3. Counter lungs to BCD / Harness.	16
4. Rear CC hoses to counter lung.	17
5. Rear CC loop hoses.	19
6. Attaching the cylinders.	21
7. E-module.	22
8. 1st stages.	24
9. LP hose & HUD to mouthpiece.	26
10. Jetstream Octopus	27
11. Front CC hoses to counter lung T-section.	28
12. Front CC hoses to mouthpiece.	29
13. Cover.	31
14. Scrubber	32
Servicing	38

Chapter 2 - Pre-dive procedures

Initial Pre-dive procedures	
Gas supply cylinders	39
CO ₂ Absorbent Cartridge	39
Intact Breathing Loop Verification	40
Negative-Pressure Loop Test	40
Electronics Power-Up	41
Power-up self test (test 1 - 38)	42
Pre-Dive Tests (test 39 - 55)	43



Closed Circuit mouthpiece position (test 39)	43
Tissue tension test (test 40).....	44
Open circuit mouthpiece position (test 43)	44
Oxygen and diluent cylinder supplies /test 44 & 45)	44
Battery power verification (test 48).....	45
Positive pressure loop test (test 49).....	45
Closed circuit mouthpiece position (test 50).....	46
Oxygen sensor calibration (test 53).....	47
Open circuit regulator function (test 54)	47
Service interval check (test 55)	48
Cleared to dive.....	48
Pre-dive checklist	49

Chapter 3 - Dive procedures

Monitoring alarms	50
HUD vibrator.....	50
HUD Light.....	50
Audio alarm	51
Buddy alert light.....	51
Monitoring the primary display	51
Units of measure.....	53
Alarm signal area	53
Abort! and open circuit alerts.....	53
DO NOT DIVE alert.....	53
General alert	54
Electronics alert	54
Decompression ceiling alert.....	54
Stop alert.....	54
PO ₂ value.....	54
PO ₂ setpoint	55
Hyperoxic linearity test	55

Oxygen sensor confidence	56
Mouthpiece position	56
Current depth.....	57
Maximum depth / Ceiling.....	57
Remaining dive time (RDT).....	58
Elapsed dive time	58
Ascend/descend arrow.....	58
Battery life indicator.....	59
Temperature	59
Cylinder pressure indicators.....	59
Ascent rate indicator	59
System monitoring	60
Monitoring the PO ₂ value	60
Monitoring gas supplies.....	60
Monitoring remaining dive time	60
Breathing underwater.....	61
Counterlung placement	61
Counterlung strap adjustments	61
Tips on breathing	61
Tips on buoyancy control	62
Venting water from the loop	62
Managing ascents.....	63
Ending the dive	63
Safe diving with the Poseidon SE7EN.....	64

Chapter 4 - Post-dive care and maintenance

After each dive.....	65
Power down	65
Replacing the oxygen and CO ₂ absorbent cartridge	65
Removing the electronics module.....	65
Replacing the water trap sponges	66



After each day of diving	66
Open the breathing loop.....	66
Store the electronics	66
Long term storage and care	66
Storage	66
Replacing oxygen sensors.....	67
Traveling with the Poseidon SE7EN	69
Preparing the cylinders.....	69

Appendix 1 - Troubleshooting guide

Automatic pre-dive test	70
Standard response to test failure	71
Troubleshooting table.....	71
Hardware issues	71
If you get an error on test 49	72
Error on test 53.....	72
Depth reading difference	72
C1 alarms on land.....	72
Hyperoxic linearity test	73
How the PO ₂ alarm works	73
What to do if I can't resolve the problem	73
Table of the automatic pre-dive tests	74

Appendix 2 - Deco 40 / Deco Trimix 48m/60 m / Deep

Introduction	83
Assembly Technical 60 m Counter lungs to BCD/Harness/Regulators	84
Rear CC hoses to counter lung	85
Manual additions.....	85
Routing the inflator hoses.....	86
Setting up decompression configured SE7EN	87
Decompression permitted	87
Decompression enabled.....	87
40m Deco Version.....	87
48m/60m Deco / Deep Trimix Version.....	87
Maximum TTS.....	87
Pre-Dive Procedures with a SE7EN enabled for Decompression Diving.....	88
48m/60m Deco / Deep Trimix.....	88
Switching in between batteries	88
Procedure.....	88
Decompression Diving with the SE7EN	89
Controlling Resource Algorithm (CRA).....	89
Open-Circuit Bailout.....	89
Set point.....	89



Conventions used in this guide

This User's Guide is NOT intended for use as a training manual, or in any way as a substitute for proper training through a legitimate training agency approved by Poseidon AB. It is only intended to provide basic information concerning the Poseidon SE7EN.

Throughout this Guide, special alert boxes have been inserted to draw attention to critical information. Three levels of alerts are used in conjunction with color-coded triangle symbols, as follows:



DANGER:

Alert boxes that are RED contain extremely critical information related to the safety and well-being of the diver. Failure to comply with information contained in these boxes could lead to serious injury or death.



WARNING:

Alert boxes that are YELLOW contain vital information that may impact a diver's safety and/or proper function of the Poseidon SE7EN. Though generally not life-threatening, information contained in these boxes should not be ignored.



IMPORTANT:

Alert boxes that are BLUE contain important information about the proper care and maintenance of the Poseidon SE7EN, and that may increase diver comfort or enhance enjoyment during dives.

Text, photographs and figures copyright © 2008-2017 by Poseidon Diving Systems AB

ALL RIGHTS RESERVED

Manual Version 1.3 - January 2017

No part of this book may be reproduced or transmitted in any form or by any means, electronic or mechanical, including photocopying, recording or by any information storage retrieval system, without permission in writing from an authorized representative of Poseidon Diving Systems AB.

On certain pictures in this manual the SE7EN rebreather may be equipped with accessories which are not part of the standard scope of delivery.



DANGER:

The Poseidon SE7EN is a fully closed-circuit diving apparatus, which functions in a manner distinctly different from traditional open-circuit scuba. Do not attempt to use the Poseidon SE7EN without proper professional instruction from an authorized Poseidon SE7EN Instructor, or without a thorough and complete working knowledge of the material contained in this manual. Careless use of the Poseidon SE7EN can lead to hypoxic blackout in any environment without any prior warning symptoms. Careless use of the Poseidon SE7EN at depths underwater greater than 6 msw (meters of seawater) [20 fsw (feet of seawater)] can lead to seizure without any prior warning symptoms. Both conditions can cause serious injury or death. The Poseidon SE7EN is equipped with sophisticated electronic control systems, which will allow a properly trained user to avoid these situations. It is the user's responsibility to attentively monitor these systems when using the Poseidon SE7EN and to have a working knowledge of the abort procedures should a problem arise.



Preface

Congratulations on your decision to purchase the Poseidon SE7EN Closed-Circuit Rebreather (CCR). The Poseidon SE7EN design includes several fundamental improvements over previous closed-circuit rebreather designs. Among the breakthroughs are:

- Extreme compactness – at only 18 kg / 40 lbs "ready to dive" and 9 kg / 20 lbs "travel weight" the SE7EN is one of the world's smallest rebreathers. Take it as carry-on baggage when flying. Enjoy the freedom. Yet it is not "lightweight" in terms of performance – you get three depth-independent hours¹ of near-silent diving.
- The first truly auto-calibrating and auto-validating rebreather. The SE7EN uses a patented automated method to verify that the oxygen sensors are working properly at all times – both before and during a dive.
- An intelligent battery – it's your personal power and data storage system. Plug it in and the system knows it's you, as well as your dive history, including repetitive dive information. Remove the modular battery, put it in your shirt pocket, and take it home to recharge it. When you are ready to dive, take the battery from the charger and plug it into the rebreather.
- True plug-and-play carbon dioxide absorbent cartridges. Simple and fast to use. Pre-packed axial cartridges of SofnoDive® 797 absorbent give you 3 hours minimum diving range¹ and can be changed-out and replaced in seconds.
- The world's most advanced rebreather interface – The SE7EN contains five separate warning and advisory systems so that you get the information you need to manage your dive without the task-loading normally associated with rebreathers. The main Poseidon SE7EN data interface is a large format flat screen panel that displays all you need to know about consumables management – cylinder pressures, dive time, depth, oxygen level, and it incorporates a sophisticated resource algorithm that monitors all systems for you and tells you when its time to head up. If things are not going correctly for whatever reason, the SE7EN has audible, tactile, and visual warning systems to get your attention, and to advise your diving partner of your status.

¹ Unlike open-circuit scuba, the rate of gas consumption on the Poseidon SE7EN does not depend on the depth of the dive. Instead, the oxygen supply depends on how fast the diver consumes oxygen through metabolism. Divers with large muscle mass, and/or working hard underwater, will consume oxygen faster, leading to shorter total dive times. Conversely, smaller divers with less muscle mass, or relaxed divers who are not working hard, will gain significant improvements in dive duration.

- Switchable mouthpiece – in a significant new patented design, the Poseidon SE7EN gives you the ability to switch from closed-circuit to open-circuit operation in one easy motion, without the need to search for a spare mouthpiece in an emergency. The ultra-compact switchable mouthpiece is lightweight and easy to breathe, giving you high performance in both open-circuit and closed-circuit modes. The SE7EN mouthpiece also combines in the same housing a pressure balanced "Automatic Diluent Addition Valve" (ADV) that compensates for breathing volume in closed-circuit mode, so that you will never run short of a full breath during a dive.
- Easy maintenance – the entire rebreather breaks down rapidly for washing, drying, and storage. No tools needed.
- New software releases can be downloaded and installed over the internet, and various system parameters can be customized to meet your particular dive operating paradigm.





Conformance with CE requirements

The information listed in this chapter are the CE requirements that have to be met to get a CE approval and they are NOT the exact specifications of the Poseidon SE7EN. The exact specifications and values of the SE7EN can be found in the later chapters of this user guide. The below text shows that the SE7EN operates within these CE requirements.

In conformance with the European Standard EN 14143, section 8, the following information is provided herein:

8.1

This manual contains information that will enable trained and qualified persons to assemble and use the Poseidon SE7EN in a safe manner.

8.2

This manual is written in the English language.

8.3

The application of the Poseidon SE7EN is as a diving apparatus, to be used for recreational and technical diving dependant upon the way the diving apparatus has been configured. Diving with mixtures of air, helium and oxygen.

The Poseidon SE7EN is certified to a maximum operating depth of 100 meters (328 feet).

Several gas supply mixtures are used with the SE7EN: air, Trimix, Heliox and oxygen (>92% pure); and the maximum depth for the resultant breathing mixture blended by the Poseidon SE7EN is 100 meters (328 feet).

Use of the SE7EN is limited to diving underwater, solely by persons who have received proper training.

Detailed instructions on assembly of the Poseidon SE7EN, including descriptions of the individual components, the specific connections between components, and the various safety devices, are included within Chapters 1 and 2 of this manual.

The user shall be able to understand the risk and make an assesment regarding the risk of using the Poseidon SE7EN, with input from the manual before a dive if the diver believes it is needed.

The operating temperature for the Poseidon SE7EN is between a minimum of 4° Celsius (39° Farenheit), and a maximum of 35° Celsius (95° Farenheit). Operation at temperatures outside of this range may lead to unreliable function.

The Poseidon SE7EN is intended for use on dives involving low to moderate work rates, typical of normal recreational and technical diving activities. Although it is capable of sustaining divers operating with high work rates, this is not its intended purpose.

The Poseidon SE7EN is intended to maintain a breathing gas mixture representing an inspired oxygen partial pressure of between 0.5 bar (0.35 bar minimum) and 1.2 bar (1.4 bar maximum). The oxygen fraction of the mixture depends upon depth and set point. At the surface the oxygen fraction will vary from 50% to 100% and the nitrogen fraction from 50% to 0%. At the maximum recreational operating depth of 40 msw, the oxygen fraction will vary from 20% (set point = 1.0) to 28% (set point = 1.4) and the nitrogen fraction will vary from 80% (set point = 1.0) to 72% (set point 1.4). At the maximum operating depth of 100 msw, the oxygen fraction will vary from 9,1% (set point = 1.0) to 12,7% (set point = 1.4). The nitrogen fraction will vary depending upon selected diluent gas configured for the particular dive planned. Diving at deeper depths requires training beyond the recreational scope and shall only be carried out by trained individuals. Users must monitor displays and alarm systems and respond appropriately if oxygen concentrations become unsafe.

The Poseidon SE7EN requires the monitoring of a backlit liquid-crystal display (LCD) screen, and thus should only be used when water visibility exceeds approximately 30 centimeters. Using the SE7EN in visibility conditions that prohibit viewing of the LCD screen poses increased risks of operation.

The Poseidon SE7EN incorporates high-pressure oxygen as one of its supply gas mixtures, and uses equipment that has been cleaned and prepared specifically for use with high-pressure oxygen. Appropriate care must be taken when handling such mixtures, especially when filling cylinders and providing proper maintainance and oxygen-compatible cleanliness for all components exposed to high-pressure oxygen. Components exposed to high-pressure oxygen (e.g., the oxygen regulator and associated pneumatic components) must be serviced by a qualified service center. Failure to comply with these instructions could lead to an oxygen fire and may cause serious injury or death.

The Poseidon SE7EN requires proper pre-dive setup, and several important verification procedures that must be carried out by the diver. Details of these procedures are



included in Chapters 1 and 2 of this Manual. The SE7EN also incorporates many automatic system tests as part of the power-up procedure. Using the SE7EN without completing these automatic system tests poses significantly increased risk to the diver.

Chapter 3 of this Manual describes procedures for donning and fitting of the SE7EN, to ensure proper positioning on the diver, as well as instructions for proper use while conducting a dive.

Chapter 4 of this Manual describes appropriate post-dive procedures and long-term storage and maintenance requirements for the Poseidon SE7EN, including conditions for storage, shelf-life of certain components, and appropriate precautions; as well as a maintenance and inspection schedule. Failure to comply with these procedures may result in deteriorated and/or damaged components, and can lead to improper functioning of the equipment. A separate set of instructions detailing maintenance requirements is also provided for reference purposes.

Appendix 1 covers troubleshooting of the Poseidon SE7EN.

Appendix 2 covers upgrade modules intended for technical diving with the Poseidon SE7EN.

8.4

The diluent cylinder for the Poseidon SE7EN should only be filled with Grade-E (or equivalent) air.

The oxygen cylinder should be filled with oxygen, containing less than 0.4% impurities.

The Poseidon SE7EN may only be used with specially-designed Sofnodive® 797 pre-packed cartridges manufactured by Molecular Products.

Only accessories and/or other personal protective equipment specifically authorized by Poseidon Diving Systems may be used with the Poseidon SE7EN. All other third-party additions or modifications are not covered within the intended usage of this equipment.

8.5

The Poseidon SE7EN is designed to extend the duration of recreational dives.



Chapter 1 – Preparation and Assembly

Part 1 – Preparation

This chapter describes the steps to assemble and prepare the Poseidon SE7EN for diving. The SE7EN is a modular device with several key systems. Each of these systems is described in a sequence that naturally follows the way one would service the rig.

An overview of the Poseidon SE7EN

Throughout this manual, the terms “left”, “right”, “front”, and “back” refer to specific areas of the Poseidon SE7EN. Figures 1-1 and 1-4 illustrate these locations and the main systems of the Poseidon SE7EN. The “left” side of the rig corresponds to a diver’s left side when wearing the rig normally; the “right” side of the rig corresponds to the right side of the diver when wearing the rig normally. The “front” of the SE7EN is the location furthest in front of a diver’s chest when wearing the rig normally; the “back” of the SE7EN is the location furthest behind the diver’s back when wearing the rig normally. Following is a brief description of each of the major components.

Primary display

The Poseidon SE7EN is equipped with a custom glass liquid crystal display (LCD) with large, bright, crisp letters for easy reading at a glance underwater. It is designed specifically for recreational divers and presents only the information needed for safe operation. It includes an automatic high efficiency backlight that illuminates the panel when ambient light levels are low. It also includes an infrared data port, which allows communication with a PC for dive log downloading, parameter setting, and software upgrades. Two wet-switch contacts on the back of the display activate the SE7EN electronics.

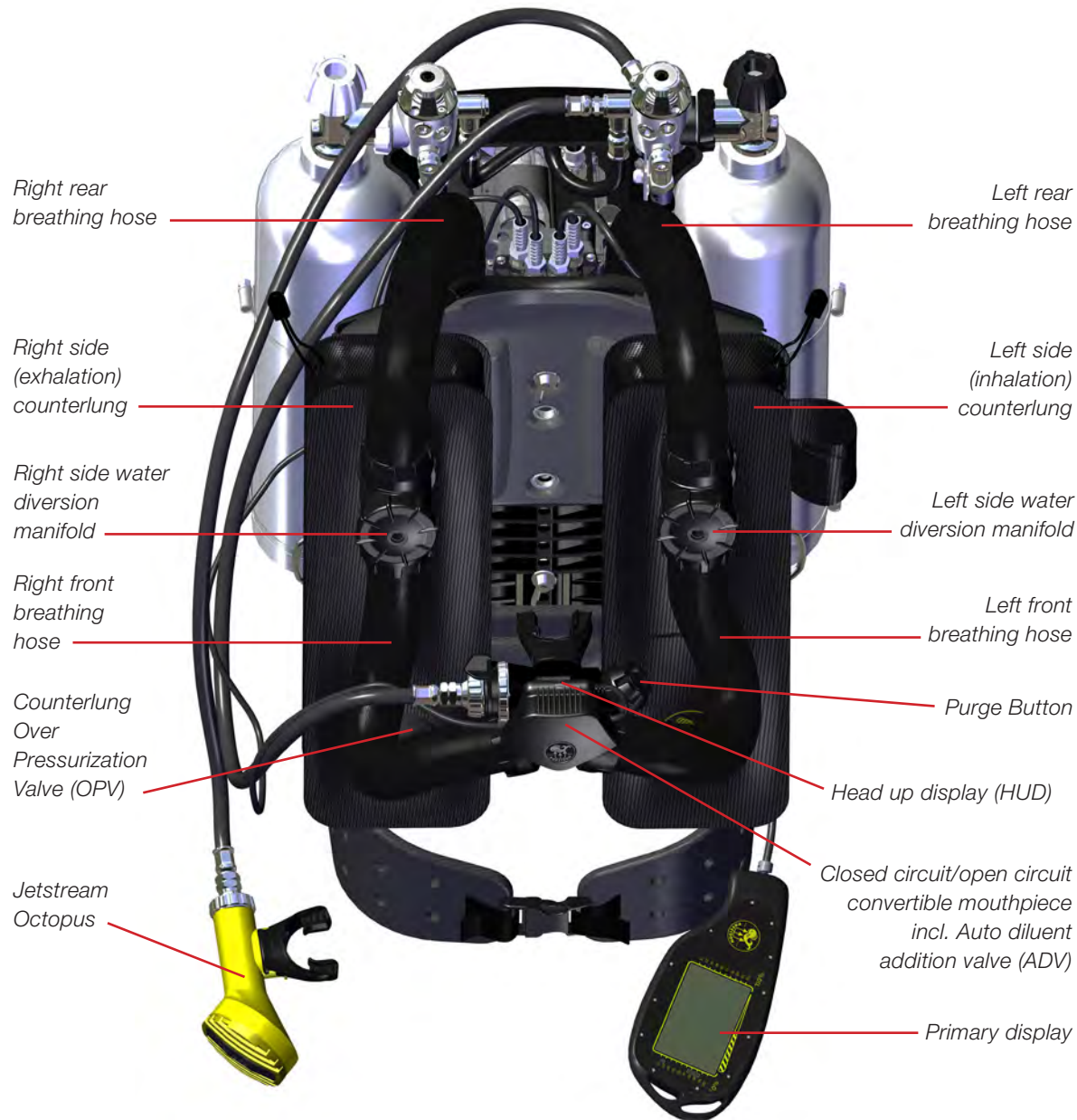


Figure 1-1. Front view of assembled Poseidon SE7EN.



Open circuit/closed circuit mouthpiece

One of the most amazing of several technology breakthroughs in the Poseidon SE7EN is its switch-able mouthpiece. It incorporates a high-performance lightweight open-circuit regulator, and you can breathe it just that way, just like standard scuba. With a simple quarter-turn of an easy-to-operate switch, the system is ready for fully closed-circuit, bubble-free, silent, depth-independent diving.

Automatic diluent addition valve (ADV)

The mouthpiece also contains a patented system that integrates an automatic diluent addition valve (ADV), which compensates for depth-related compression of the counterlung breathing volume during descents. This ensures a full breath automatically, allowing for hands-free descents. The Poseidon SE7EN incorporates this into the mouthpiece with a special mechanism that adjusts the trigger tension on the open-circuit second stage when diving in closed-circuit mode, so that gas is only added when the counterlung volume is insufficient to provide a full breath on inhalation.



Figure 1-2. Mouthpiece open- & closed circuit switch and Heads-up display (HUD)



Figure 1-3.
HUD with red LED on.



Figure 1-4.
HUD with green LED on.

Heads-up display (HUD)

The mouthpiece also includes a snap-in-place head-up display (HUD). The HUD contains its own computer processor that communicates with other system processors via the network, and includes both a high-intensity red LED to alert the diver of a potential problem (Figure 1-3), and a patented Juergensen Marine vibration system that provides a tactile alarm system to advise the diver to switch from closed-circuit to open-circuit mode, or vice versa. The HUD also contains a sophisticated sensor to detect which position the mouthpiece is in (closed-circuit or open-circuit). Green LED is fading in and out continuously when the unit is in closed-circuit and there is no alarm (Figure 1-4).

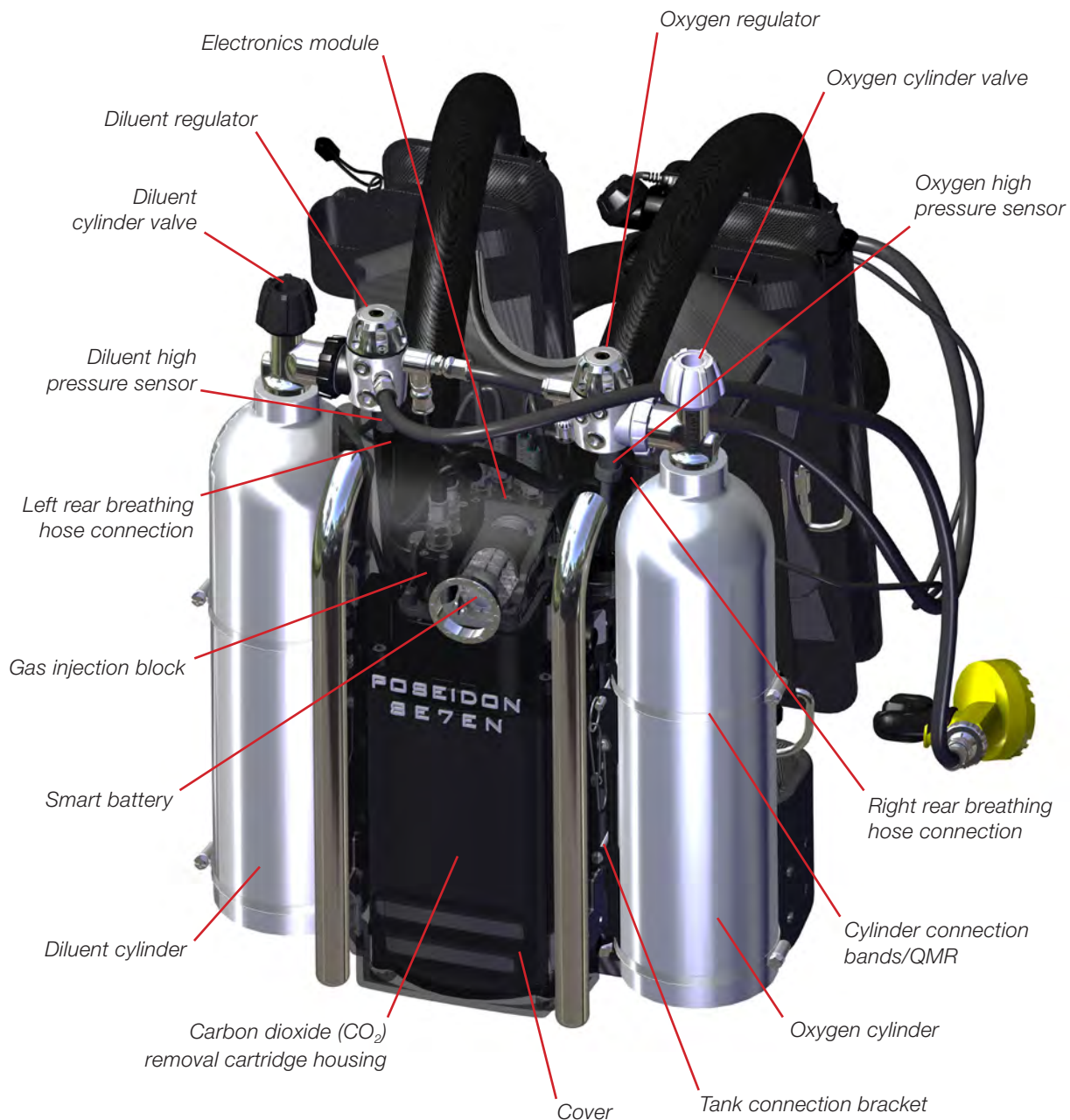


Figure 1-5. Back view of Poseidon SE7EN.

Breathing loop overview

The most visible elements of the front portion of the Poseidon SE7EN comprise the breathing loop: breathing hoses; convertible open and closed-circuit mouthpiece with built-in automatic diluent addition valve (ADV); water diversion manifolds (sometimes referred to as “T-ports” or “Shoulder Ports”); and the left (inhalation) and right (exhalation) counterlungs.

The breathing loop is a compliant system (its volume changes in response to breathing). Its purpose is to provide an external reservoir for the exhaled breathing gas and to direct the flow to the gas processing unit in the backpack. One-way checkvalves in the mouthpiece direct the exhaled gas such that it moves from the mouthpiece to the right front (exhalation) breathing hose, into the right water diversion manifold and into the right counterlung.

During normal use, water will sometimes collect in both of the front breathing hoses, but predominantly it will collect in the right front (exhalation) breathing hose. The right-side water diversion manifold directs the water into the right counterlung, while the breathing gas continues through the loop towards the CO₂ absorbent cartridge. At the bottom of the right counterlung is a variable-tension dump valve that can be used to vent the water periodically during the course of a dive.

The counterlungs (left and right) are each sized to be about half the volume of a full breath for an average individual. This design – known as a “dual over-the-shoulder” counterlungs – optimizes the ease of breathing underwater. Those familiar with open-circuit diving will notice an immediate improvement in diving comfort when using the Poseidon SE7EN because of this design.





Carbon dioxide absorbent cartridge

At the heart of all rebreathers is the requirement to remove the metabolically-generated carbon dioxide (CO_2) from the breathing loop and replace the oxygen consumed through metabolism. The Poseidon SE7EN is designed around a modular plug-and-play carbon dioxide filter system. It is equipped to handle Molecular Products SofnoDive® 797 axial flow pre-packed cartridges. Procedures for changing out the cartridge are presented in detail below in the Cartridge Housing discussion.

Gas injection module

In a fully-closed rebreather like the Poseidon SE7EN, oxygen is consumed by the diver and a mechanism must be provided for replacement of that used oxygen. Otherwise the mixture will slowly be depleted to dangerously oxygen low levels (hypoxia). The SE7EN is designed to maintain the partial pressure of oxygen (PO_2) well above hypoxic levels, and to also prevent it from becoming too high (hyperoxia). This is achieved by a control system that uses sensors that are responsive to the partial pressure of oxygen and a mechanism for the addition of pure oxygen to the system when the sensors indicate that the oxygen level is below the target value, known as the PO_2 "setpoint". The gas injection module in the Poseidon SE7EN does this and much more. In a patented design, this module provides the mechanisms for not only adding pure oxygen to make up for metabolized gas, but also to automatically calibrate the oxygen sensors prior to diving, as well as validate the sensors during the course of each dive.

Electronics module

The electronics module provides a single plug-and-play component that includes the previously described gas injection module and the smart battery. It also includes the oxygen sensors, the main computer system and the junction for the cables leading to the display, cylinder pressure gages, and HUD. Two thumb-wheel screws allow for easy removal of the electronics module from the gas processor housing after diving.

Smart battery

The smart battery (Figure 1-6) is another patent-pending design of the Poseidon SE7EN. It is a snap-in power supply that allows operation of the rebreather for up to 30 hours when fully charged. It also contains its own onboard computer, and stores not only your dive log data, but also your decompression status (tissue tensions), keeping track of repetitive dive status. The smart battery communicates with the other system computers via the network, and contains two user feedback systems. The first system consists of two extremely bright red LEDs (one facing up, the other facing backwards) that provide a wide viewing angle; the second is a 2-frequency acoustic speaker that broadcasts a very audible tone through the water. Both systems are primarily designed to convey the safety status of your diving rig to

your partner from a distance. Once the rig is properly turned off following a dive, the smart battery can be removed and taken to a desk-top charging station. Use and maintenance of the smart battery are discussed later in this chapter.



Figure 1-6. E-module with battery inserted.



Figure 1-7.
Smart battery module

Smart battery care

Figures 1-8 shows the installation procedure for the smart battery. The battery contains four female quick-connect contact pins mounted on an extended cylindrical, o-ring-sealed post that projects from the end of the battery. This mates to a receptacle with four corresponding male fixed pins in the electronics module inside a sealing cavity for the radial o-ring seal. Be careful not to short the contact pins when the battery is not in the rig, and inspect the battery socket receptacle on the electronics module prior to inserting battery to ensure there is no water. Once the battery is properly installed in its docking slots and pushed all the way forward, an audible **“CLICK”** will be heard as the safety latch closes. The battery is now ready for diving.

To remove the battery from the electronics module, press the safety latch and firmly push the top part of the battery outward, as shown in Figure 1-9. It is usually best to remove the battery when the system is dry, to avoid water ingress to the electrical contacts.

Safety

The smart battery uses a high energy density lithium-ion rechargeable battery, similar to batteries used in laptop computers. If any liquid or discoloration is observed inside the clear plastic battery housing, dispose of the battery immediately. Disposal of an old or failed smart battery should be in accordance with local laws regarding disposal of Li-ion laptop computer batteries.

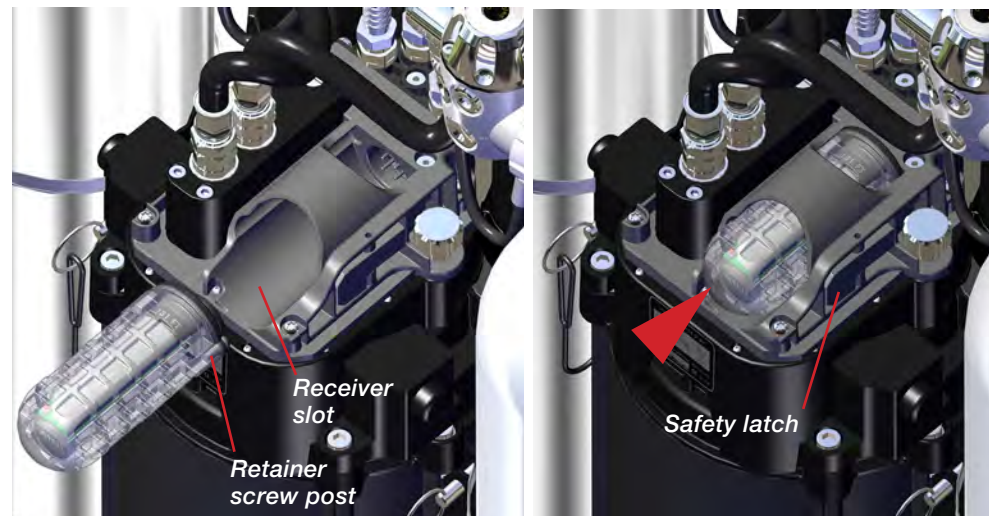


Figure 1-8. (Left) Align the retainer screw posts on the Smart Battery with the receiver slots at the top of the Electronics module (note that the 4 contact pins in the housing must align with those on the battery); (Right): push the battery into the slot, engaging the pins and the radial o-ring seal, until an audible “snap” is heard as the safety latch closes.

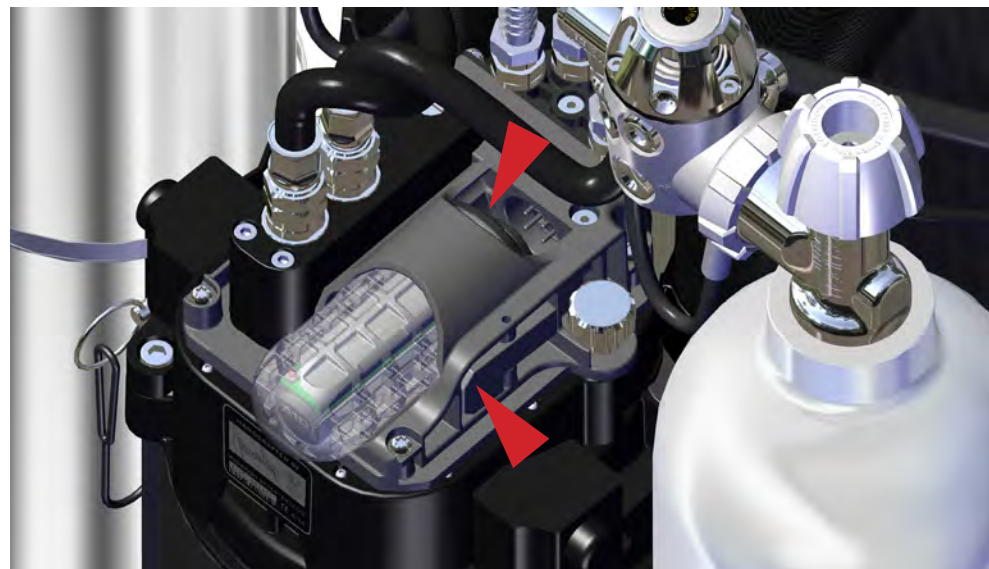


Figure 1-9. Removing the smart battery



Charging

Included with the Poseidon SE7EN is a proprietary multi-function desk-top charger unit that includes adapters for most international power outlets. The battery charger has three status lights arranged in a circular pattern on the open section of the base. These are, in counter-clockwise order from the lower left in Figure 1-10: power, “Learn Cycle” status, and charge status.

Power Indicator Light: When green, the power is “on” and the charger is ready to operate. If it occasionally “blips”, the charger does not have external power, and is actually draining the battery.

Learn Cycle Indicator Light: The middle light indicates the status of a “Learn Cycle”. The battery has its own onboard computer that monitors the state of charge. Over a period of weeks to months, the computer’s estimate of the remaining power in the battery gradually decreases in accuracy. The computer can “re-learn” what a full (100%) charged battery should look like using the Learn Cycle of the charger. The battery computer keeps track of how long it has been since the last time it has undergone a full Learn Cycle. If that time exceeds a certain value, the computer will advise the user to perform an optional Learn Cycle. If the time since the last Learn Cycle is very long, the computer may automatically initiate a Learn Cycle. The Learn Cycle takes approximately 8 hours to complete. Once a Learn Cycle has been initiated, it can only be stopped either by successful completion of the Learn Cycle or by physically removing the battery from the charger (not recommended).



WARNING:

Removing the battery from the charger in the middle of a Learn Cycle will leave an uncertain state of charge on the battery, increasing the risk of a power failure during a dive.

The Learn Cycle indicator light has the following meanings when plugged in with the smart battery inserted:

- Off: Learn Cycle not needed or not in progress.
- Alternating Red and Green flashing once per second: Learn Cycle is recommended.
- Both Red and Green simultaneously flashing once per second: Learn Cycle is in progress.
- Red continuously on: Learn Cycle has failed (often caused by power loss or user intervention).
- Green continuously on: Learn Cycle successfully completed.

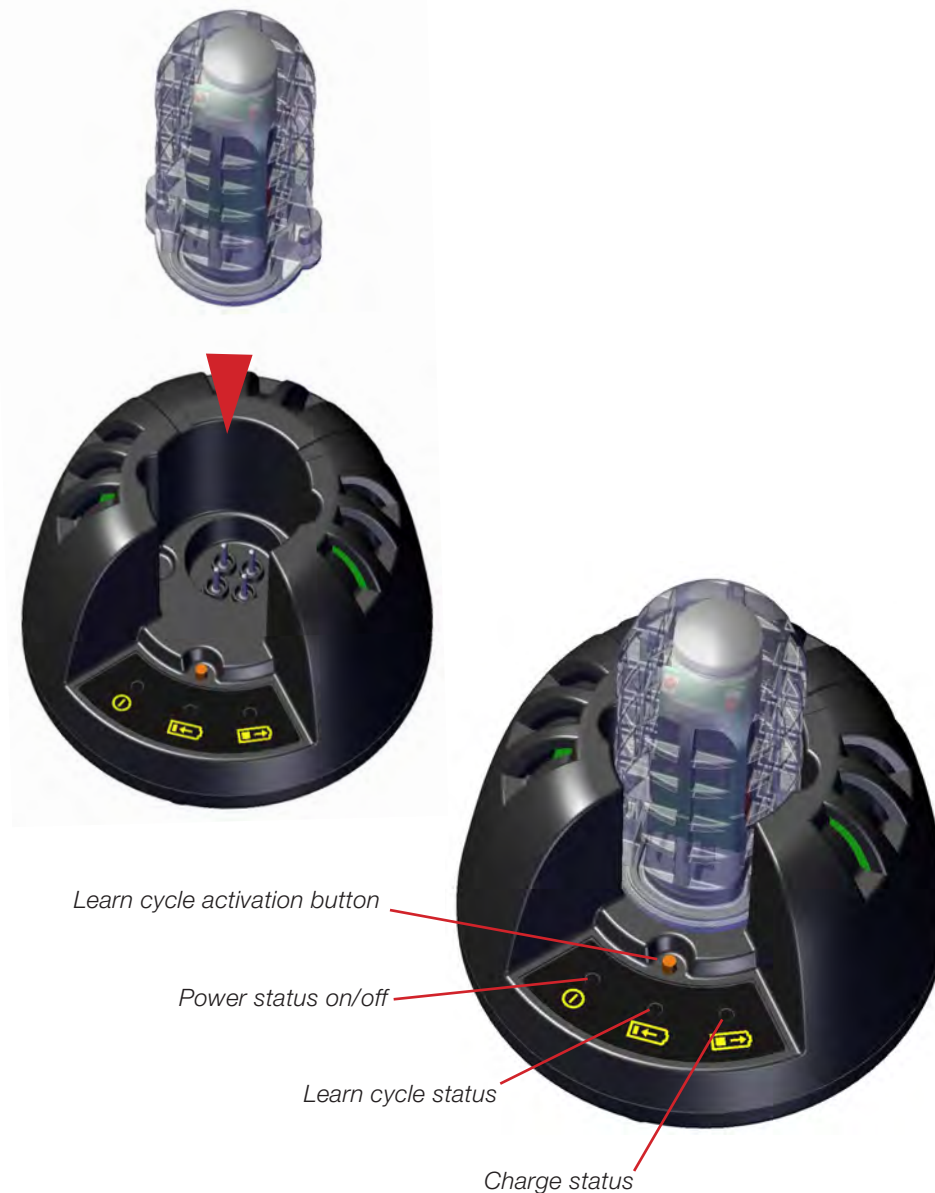


Figure 1-10. (Left): Inserting the smart battery into the desktop charging station. The battery screw posts align with the vertical slots; the battery is pushed down until the contact post mates with the offset cylindrical receiver hole. **(Right):** The battery properly inserted into the charger. See the text for definitions of the status indicator lights.



The Learn Cycle Activation Button: Just above the Learn Cycle indicator light is a button. Pressing the button will manually initiate a Learn Cycle. It may be pushed at any time during a regular charge cycle to initiate a Learn Cycle.

The System will require a Learn Cycle if the smart battery is fully depleted; if it has been more than 90 days since the last Learn Cycle; or if the cell has had more than 20 charge cycles since the last Learn Cycle. The system will recommend a Learn Cycle if it has been more than 45 days since the last Learn Cycle or if the cell has had 10 or more charge cycles since the last Learn Cycle.

Charge Cycle Indicator Light: The right-most light on the charger is the charge cycle indicator, and it has the following meanings when plugged in with the smart battery inserted:

- Off: The battery is being discharged as part of a Learn Cycle.
- Alternating Red and Green flashing once per second: No battery detected.
- Both Red and Green flashing: Battery is being charged (more green as battery is charged).
- Red continuously on: Charging has failed (may require a Learn Cycle).
- Green continuously on: Charge cycle completed successfully, battery is fully charged.

While charging, the light will flash rapidly when the battery is discharged, and will flash more slowly as the battery becomes more charged. As a general rule of thumb, 1 minute on the battery charger in standard charge cycle mode will load 10 minutes of charge into the battery. Thus, if you charge while taking a 30 minute break between dives, you will have added 5 hours of dive time to the battery.

Leaving the Smart Battery in the Charger: Although it is acceptable to leave the smart battery in the charger when not in use, it is recommended that the battery be left attached to the Poseidon SE7EN after a successful charge for the following reasons:

- If power to the charger fails at any time, then having the battery in the charger will actually deplete the cell – approximately as fast as if the battery was installed in the rig and the rig powered up.
- Storing the battery in the Poseidon SE7EN enables the depth sensor and the wet switch on the back of the primary display. If someone wearing the SE7EN accidentally falls into the water, the system will automatically power up the rig, enhancing the probability for survival of the user. This is only possible if the battery is charged and stored in the rig.
- Storing the battery in the Poseidon SE7EN reduces the probability of debris entry and impact damage to the battery contacts in the electronic module.



WARNING:

Misuse of this feature is NOT recommended.

Long-term storage

Allowing the smart battery to sit for long periods of time on-shelf without recharge will lead to premature failure of the battery. The best storage method, if the battery will not be used for a substantial period of time, would be to top off the charge once a month by running it on the normal charge cycle in the desktop charger. If this is not possible, then the best long term solution is to leave the battery on the charger (with the power to the charger turned on). The method of monthly top-off of charge, however, will maximize the battery life. Store the battery in a cool, dry environment.

Decompression data

In the Poseidon SE7EN rebreather, individual user decompression data are stored in both the backpack computer and the smart battery computer. Thus, every user carries their decompression information with them when they remove the battery. If the same user dives the same rig, then the diver will receive repetitive dive surface credit for the time spent on the surface (even if the battery is removed from the rig between dives). The decompression algorithm is a 9-compartment real-time implementation of the industry-proven DCAP decompression engine.

It is **strongly recommended** that you use the same battery in the same Poseidon SE7EN for any repetitive series of dives. Once sufficient surface credit has cleared the decompression model entirely (generally 24 hours of no diving) then you can swap batteries between rebreathers without risk.



IMPORTANT:

If a user removes the battery from the rig they were diving and then uses that battery in a different Poseidon SE7EN unit for subsequent dives, the decompression data in the rebreather system will differ from those contained in the battery. To ensure that a safe decompression situation will always exist, the backpack computer will take the most conservative tissue-tension data for each of the nine separate compartments of the decompression engine from the two sets of values, and use those to construct a new, worst-case tissue model to be used on all subsequent dives. This will result in a decompression penalty (and therefore reduced repetitive no-decompression dive times) for the user who may have had a lower decompression exposure before swapping batteries. Conversely, a user with a known higher decompression debt transferring their battery to a Poseidon SE7EN with a known lower decompression debt will see little difference in how the rig tracks decompression (except see Warning message below).

DANGER:

If a user swaps batteries with another Poseidon SE7EN unit than the one they were diving, and if they incurred a decompression debt, and if the battery computer memory storing the decompression information is corrupted (e.g. from inadvertent electrostatic discharge) there is a possibility that the computer system may only recognize the rebreather system's stored decompression data. In that event, and if the previous diver of that rebreather did not incur as serious a decompression debt, then swapping batteries could lead to serious injury or death from incorrect decompression on subsequent dives.

WARNING:

If a user changes batteries with a Poseidon SE7EN unit other than the one they were most recently diving and then turns on the power of the new Poseidon SE7EN with their original battery installed, the Pre-Dive test routine will FAIL Test 40 (decompression comparison between battery and backpack computers). This is a warning that there is a difference in the decompression data stored in the rebreather's computer and the battery just inserted. The system will now prompt you for confirmation while simultaneously scrolling dECO rESEt through the PO2 field. The user assumes all responsibility for their own decompression safety in this event. The rebreather will calculate decompression based on the most conservative values from each set of decompression data.

Dive log data

The Poseidon SE7EN automatically creates an extensive dive log every time the system is powered-up. The information stored in this log will be of significant interest in reconstructing dives and learning about how the rig and you behave during a dive. A Windows or Mac OSx based SE7EN dive log reviewer/configurator are available as a download from Poseidon (www.poseidon.com). In general, the unit will store approximately 20 hours of dive time; more if the dives were of a simple nature with uncomplicated profiles. Examples of the common types of data you can review are battery information, dive time and depth. However, the dive log contains much, much more information.

Bluetooth connection

Make sure that your computer is equipped with a standard Bluetooth device. If not install one. Make sure that your Poseidon SE7EN unit is turned on by inserting the battery physically. This is required to set the unit in pair mode. Once inserted the pairing mode will be enabled for 2 minutes. Starting the unit through the wet switch will not enable pairing mode. Once the unit is paired it will be possible to connect to the SE7EN when unit is active regardless of power up method.



O-ring care and maintenance

The Poseidon SE7EN is a computer-controlled precision underwater instrument. Its successful continued operation depends upon preventing water from entering the breathing loop, gas processor, and electronics systems. To do this, and to keep the rig modular and easy to use and maintain, there are dozens of o-ring seals. These fall into two design classes: “axial” o-ring seals and “radial” o-ring seals. Figure 1-10 shows a typical use of a axial o-ring seal, as used in the CO₂ absorbent cartridge lid. Axial o-rings are laid into an annular groove in the body of the object to be sealed.

The object is then pressed perpendicularly against a flat, clean sealing surface. The axial o-ring is then compressed along its top side by the flat mating surface and compressed into the groove. This compression of the o-ring causes it to seal against the sides of the groove and to the flat mating surface. Because a release of the mating pressure would result in a leak in a face type seal, these require a securing mechanism that not only prevents the part from lifting off accidentally, but also actively compresses the axial o-ring against the flat mating surface. In the case of the CO₂ cartridge, the cartridge end plate is equipped with four thumb screws to secure it in place and tighten it down.

A second, and more commonly used seal is the “ radial “ o-ring. Figure 1-12 shows a typical implementation in the Poseidon SE7EN breathing hose and hose connection ports. In contrast to a axial o-ring seal, a radial seal involves a circular groove that goes around a cylindrical or semi-cylindrical object (it can be a rectangular object with rounded corners provided the corners have a sufficiently large radius – an example of this is the Electronics Module dual radial seals). In a radial seal, the groove is designed such that the o-ring snaps into the groove with a certain pre-tension. Once seated the o-ring cannot leave the groove. To complete the seal, the side of the connection containing the radial o-ring and groove is inserted into a cylindrical receiving surface. As the o-ring is inserted, the cylindrical surface uniformly compresses the radial o-ring and creates the seal against all contacting surfaces. The important distinction is that with a radial seal it is possible to rotate the objects relative to one another and still retain



Figure 1-11.
Typical “ Face “ type o-ring seal.

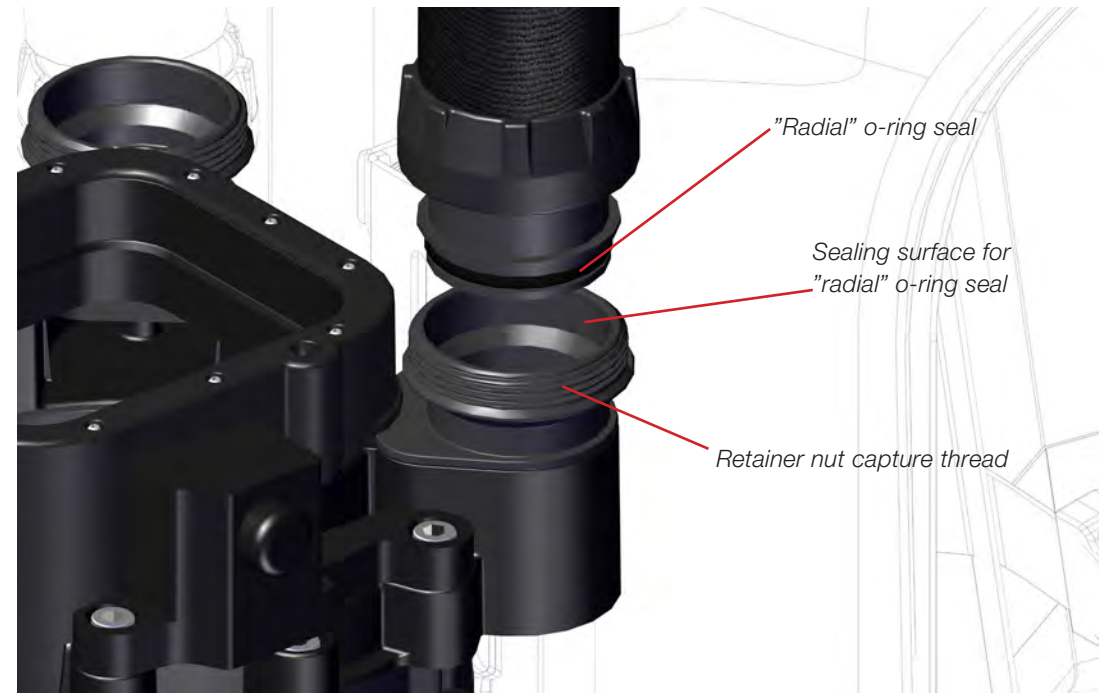


Figure 1-12. Typical “ Radial “ type o-ring seal.

a good waterproof seal. This is the reason the breathing hoses use radial seals, for example – so that you can adjust their positions and that of the mouthpiece without having to make and break the connections.

Radial o-ring seals still require a retainer to prevent them from accidental disassembly during diving. For hose connections we use rotating shells whose threads engage a capture thread on the mating part (see Figure 1-11 for example).

For face and radial o-rings to properly work, the diver is responsible for ensuring the following:

- The o-ring is clean and free of debris and scratches (no cuts, gouges, dust, dirt, sand, hair, etc.)
- The o-ring is lubricated with an approved o-ring grease.
- The sealing surfaces are clean and free of debris, scratches and gouges.
- The sealing surfaces are lubricated with an approved o-ring grease.
- The retainer mechanism (e.g. hand screws, hand nuts, or threaded shells) is securely in place.



Cylinders and regulators

The Poseidon SE7EN (EU version only) is factory-issued with two 3-liter aluminum cylinders with Poseidon post-style valves (see Figure 1-13). The oxygen cylinder has a **white** valve knob and the diluent cylinder has a black valve knob. Both cylinders are pressure-rated to **204 bar / 3000 psi** service pressure. However, the specified maximum safe **FILL** pressure for the oxygen cylinder is **135 bar / 2000** psi. The reason is twofold: first, the risk of oxygen fire increases sharply at higher pressures; and second, using a greater supply of oxygen increases the risk that the CO₂ absorbent cartridge may not be sufficient to last for the entire dive on a single fill.



Figure 1-13. How the rig should appear when properly assembled.



DANGER:

Do not fill the oxygen cylinder to more than 135 bar (2000 psi). Doing so may allow a diver to exceed the duration of the absorbent cartridge, which could lead to dangerously elevated CO₂ levels in the breathing mixture.

It is also extremely important to **NOT** replace either of regulators that are provided with the Poseidon SE7EN. The oxygen cylinder, valve, and regulator have been cleaned for oxygen service at the rated cylinder pressure; using regulators or valves not so cleaned dramatically increases the risk of oxygen fire and/or explosion. More importantly, the provided regulators have been adjusted with a lower interstage pressure for use with the oxygen and diluent solenoid valves. Using different regulators with higher interstage pressures will cause the solenoid valves to fail, and may lead to permanent damage.



DANGER:

Only use the first-stage regulators provided with the Poseidon SE7EN. Not only do the provided regulators have specific features required by this application (e.g. integrated over-pressure relief valves, oxygen regulator cleaned for oxygen service), but the interstage pressure of these regulators is adjusted for use with the solenoid valves. Use of different first-stage regulators can lead to solenoid failure (thereby disabling gas control), and can also lead to **PERMANENT** damage to the solenoid valves.



Filling the cylinders

From a diving logistics perspective, the Poseidon SE7EN differs from normal Scuba in that it uses two separate gas supplies: a pure oxygen supply and a “diluent” supply. Pure oxygen is necessary for the control system to exactly replace the oxygen consumed by metabolism. The definition of a diluent gas in a rebreather is any gas that serves to dilute the oxygen when mixed in the breathing loop. This diluting characteristic is a requirement of a closed-circuit rebreather because oxygen is toxic at elevated partial pressures. If one were only using pure oxygen in a rebreather the standard operating depth would be limited to 6 meters / 20 feet underwater. Another characteristic of a suitable diluent gas is that it is normally selected so that it is directly breathable as an open-circuit gas at the maximum operating depth of the rebreather. General examples of diluent gases that can be used in rebreathers include: air, nitrox, trimix, and heliox. The SE7EN is in its recreational configuration limited to 40 m/130 feet depth and uses only air as an allowed diluent, following established compressed air scuba sport diving practices. The decompression algorithm requires that air be used as the diluent in the Poseidon SE7EN. For technical configuration and deeper setups (40, 48, 60 & 100 m / 131, 157, 200 & 328 ft) refer to Appendix 2.

Poseidon SE7EN cylinders (both oxygen and diluent) should be filled by a qualified facility that is properly trained and equipped to fill such cylinders. The requirements concerning maintenance of oxygen clean systems, gas banks, and compressors are already handled by those centers and all you need to do is present your cylinders for filling.

For those with less convenient access to such facilities, there are several practical considerations. It may be worthwhile to acquire several spare Poseidon SE7EN oxygen cylinders and have those pre-filled for future dives when needed. If you will be visiting a dive resort or live aboard boat, inquire ahead as to the availability of oxygen and/or the availability of pre-charged cylinders on-site that are compatible with the SE7EN. Note that the SE7EN oxygen cylinders sold in Europe contain a DIN M26x2 thread. This is larger than the G-5/8 DIN thread that is more standard around the world. Poseidon sells oxygen cleaned converters that will allow filling of the M26x2 oxygen cylinder from a standard G-5/8 male DIN fitting.

DANGER:

Filling your own cylinders is dangerous business. You are personally responsible for your well being and those around you when you fill your own cylinders. Before you consider this option, obtain formal training on the operation of the equipment and in the maintenance of oxygen clean systems. Never overfill any Poseidon SE7EN cylinder (oxygen or diluent). Service all equipment per the manufacturer's recommendations.

WARNING:

Do not attempt to use any diluent gas in the Poseidon SE7EN other than what has been configured via PC software tool. The use of other diluents may lead to serious injury or death resulting from decompression sickness.

IMPORTANT:

**Air for compressed air line breathing shall have a dew point sufficiently low to prevent condensation and freezing.
Maximum water content of air at atmospheric pressure:**

- 50 mg/m³ @ 40-200 bar / 580-2900psi Nominal pressure
- 35 mg/m³ > 200 bar / 2900 psi Nominal pressure

Corroded solenoids are not covered by warranty.



Part 2 – Assembly

Before you start assembling your Poseidon SE7EN eCCR, you should perform the following preparations:

- Make sure you have a scrubber that will last your planned dive(s).
- Fill your diluent tank with the correct gas.
- Fill your oxygen tank with the correct gas.
- Make sure your battery is fully charged and recently learn cycled.
- Make sure you have all parts and that they are without damage.
- Lubricate all o-rings that you can access.



Please note that the Besea harness, Jetstream Octopus and QMR adapter are sold separately and are not included in the Poseidon SE7EN.

The pre-packed scrubbers are consumables and are sold separately and not included in the SE7EN.

Counter lungs, Cylinder QMR and Cylinders are selectable options in the Poseidon SE7EN.



1. Stabjacket / BCD / Wing

Attach the cansiter housing to your stabjacket / BCD / Wing using either the tank bands, QMR Adapter or an 11" adapter.

As previously mentioned, the Poseidon SE7EN is sold with an optional backpack and buoyancy compensator. This is to allow more experienced divers the choice of using an existing personal backpack, harness, and buoyancy compensator. Poseidon supplies the tightly-integrated Besea, harness, and buoyancy wing system for use with the SE7EN. The front extrusion rail on the Poseidon SE7EN accepts the QMR adapter or 11-inch adapter (see Figure 1-14). Attachment of the Besea is as quick as aligning the QMR adapter pin-bolts to the upper holes in the Besea harness as shown in Figure 1-14. Make sure that you have correctly adjusted the length-size of the Besea harness back plate before aligning the QMR adapter. Once the correct alignment of the QMR adapter pin-bolts have been found, secure the QMRadapter position on the front rail of the Poseidon SE7EN.

The optional buoyancy compensator wing can be quickly attached or removed from the Besea harness using the four guide pins attached to the eight attachment bolts on the back of the Besea harness. The Besea comes with a convenient carrying handle that can be used to transport the entire assembled Poseidon SE7EN to and from the dive preparation area.



You can attach a Poseidon SE7EN to your BCD/Stabjacket using a tank band.

If your BCD/Stabjacket is equipped with a mounting point for an QMR adapter, the Poseidon SE7EN can be bolted to the BCD/Stabjacket using an QMR adapter.



Figure 1-14.

Align the pin-bolts of the QMR adapter with the upper hole and the most suitable hole of the plastic/ metal (optional) back plate of the Besea harness. Fasten it using the wing nuts.



2. Cylinder attachment

Cylinder QMR.

The Cylinder Quick Mount Release (QMR) attaches your cylinders even quicker than before and with a perfect fit every time, just as you want them to be.

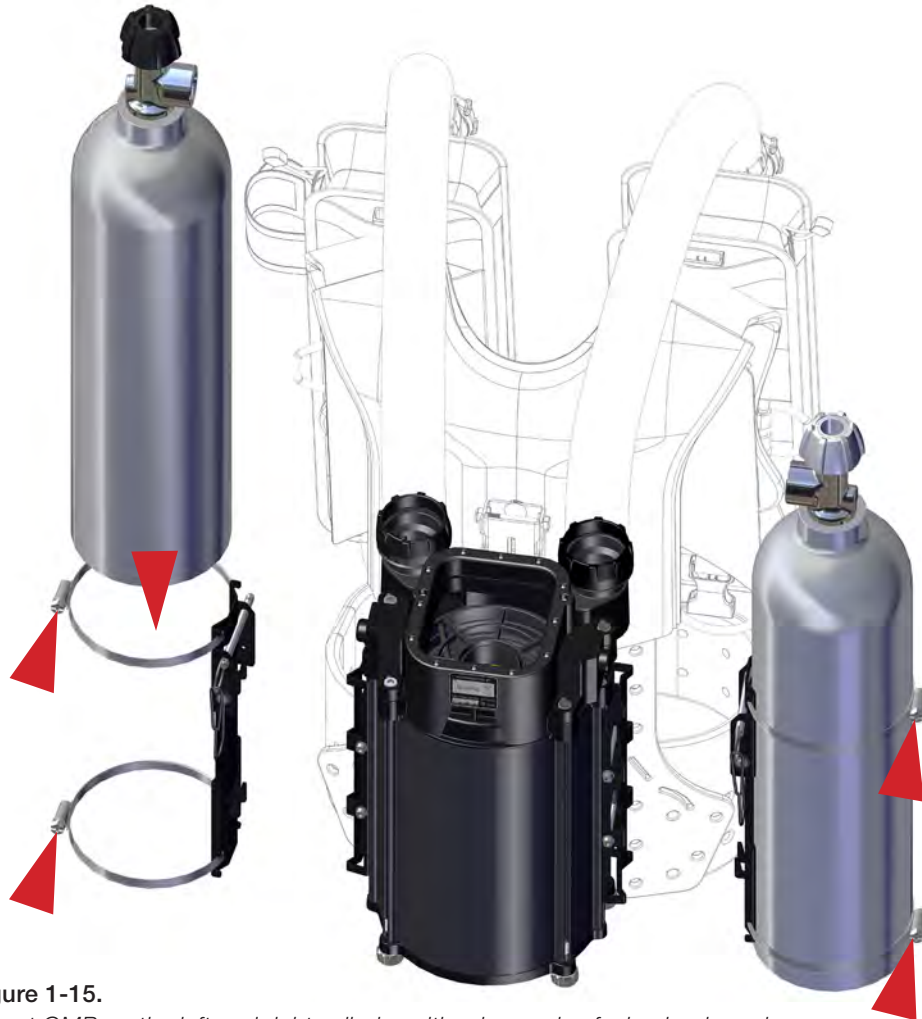


Figure 1-15.

Mount QMR on the left and right cylinder with release pins facing backwards. Adjust the height matching to SE7EN cover. The Diluent (black knob) tank is mounted on the unit's left hand side and the oxygen (white knob) is mounted on the unit's right hand side.

Tank Band Standard.



Figure 1-16.

Thread the tank band through the tank band bracket and in to the buckle (see figure).

Adjust the length of the tank band so it fits on the tanks you intend to use with your Poseidon SE7EN. Properly adjusted, the tanks should be firmly attached, not being able to move in the tank band, when the buckle is closed and secured around the tank.



Tank Strap & Buckle.

Figure 1-17.

Thread the tank band through the tank band bracket, from the back towards the front.



Figure 1-18.

Thread the tank band through thin webbing strap loop (counterlung strap).

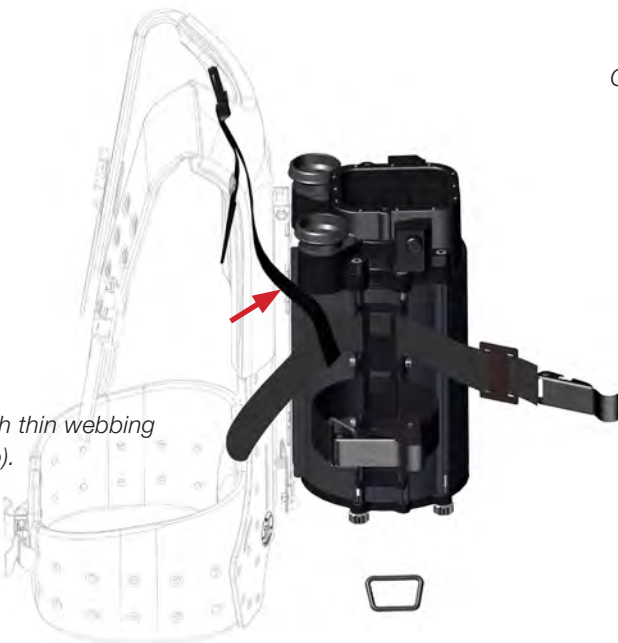


Figure 1-19.

Thread the tank band buckle D-ring on to the tank band.

Fold the tank band and thread it back through the same opening on the tank band bracket.

Adjust the length of the tank band so it fits on the tanks you intend to use with your Poseidon SE7EN.

Properly adjusted, the tanks should be firmly attached, not being able to move in the tank band, when the buckle is closed and secured around the tank.



Counterlung straps



Figure 1-20.

The tank band buckles should be aligned so that they are folded backwards when the tank is securely locked in place.



3. Counter lungs to BCD / Harness

Attach the counter lungs to the shoulder straps of your BCD/Harness using the velcro straps on the back side of each counter lung.

Upper counter lung buckle to tank band connection.

Connect the small male plastic clip on the upper part of the counter lung to the female plastic clip attached to the tank strap on the same side as the counter lung.

Adjust the position of the counter lung using the strap on each male plastic clip.



Figure 1-21.
Lay out both left and right hand counterlungs and their water diversion manifolds.

The counterlungs on the Poseidon SE7EN are designed to attach to the backpack straps and to be moveable along the straps. An upper adjustable-length quick connect buckle anchors the top end of the counterlungs to the gas processor (Figure 1-22). Three velcro straps on the back of each counterlung (Figure 1-22) attach the counterlungs to the shoulder straps of the backpack. The SE7EN is provided with a lower D-ring and a crotch strap that connect to the bottoms of each counterlung. Using this system the user can fix the counterlungs as high or low on the harness straps as desired to reduce the work of breathing.



Figure 1-22.
Fasten the upper counterlung position with the adjustable-length quick-connect buckle. Attach the three velcro retainer flaps to the Platform harness straps.



4. Rear CC hoses to counterlung

T-connections.

Connect the T-connection to the top port in each counterlung.



Figure 1-23. Insert the right hand water diversion manifold into the port on the right counterlung.

Locate the two counterlungs and their respective water diversion manifolds (also known as “shoulder ports” or “T ports”) and lay those out for assembly. The purpose of these manifolds is to prevent water that collects in the counterlungs from reaching the gas processor. The water diversion manifold at the top of each counterlung diverts water coming from either of the front breathing hoses into their respective counterlungs. Because of the direction of breathing flow and the one-way check valves in the mouthpiece, almost all water that leaks into the mouthbit collects in the right counterlung, where it can be dumped via the checkvalve port at the bottom of the counterlung (Figure 1-24).



Figure 1-24.

Clockwise tighten the water diversion manifold into the right and left counterlung shoulder port.



Figure 1-25 shows a cross section of the water diversion manifold. A quick inspection will show that on one side (the “front”) you can insert a finger and feel an open vertical tube leading down to the threaded counterlung connection post (see Figure 1-25). If you insert a finger through the other side (the “back”), you will feel an interior convex cylindrical surface blocking entry. In order for the water diversion manifolds to work properly, we recommend that you position the water diversion manifold so they are both directed facing the mouthpiece. I.e. that “the front” of the manifold on both the inhalation and exhalation lung are positioned towards the mouthpiece.

Insert one of the water diversion manifolds (they are identical) into the top port of the right counterlung (Figure 1-24). Inspect the o-ring and sealing surfaces and be sure both are clean and lubricated. Carefully screw the manifold into the port, taking care not to cross-thread the connection post and port threads. Carefully observe the radial o-ring as you make the connection to make sure the o-ring does not pop out of its groove. Screw the manifold all the way down with a clockwise rotation until the o-ring is fully engaged with the radial sealing surface of the counterlung port. Verify that the “front” of the water diversion manifold is pointed forward, so that the hose connecting the mouthpiece attaches to the “front” side of the diversion manifold. If the manifold is not oriented correctly, unscrew the manifold (counterclockwise) just until the front aligns in the proper direction. Always be less than one full rotation. When you have completed installation of the two water diversion manifolds in to the top port of both counterlungs it should look as shown in Figure 1-26.

Figure 1-25.

Cross section of the water diversion manifold. Right T-Connection.

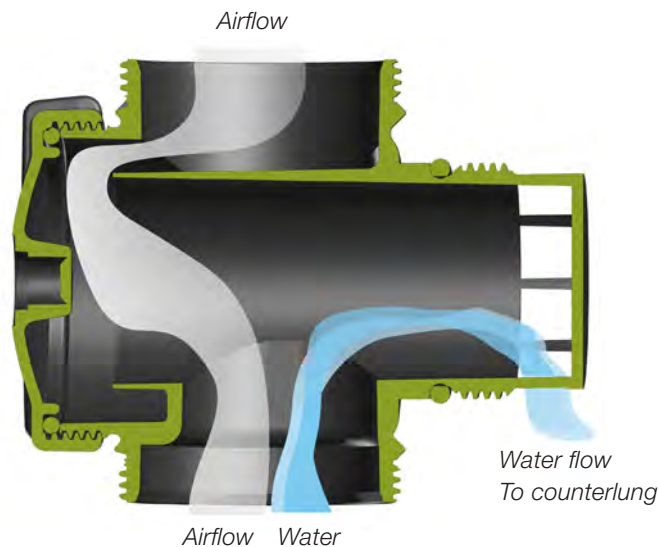


Figure 1-26.

The recommended alignment of the two water diversion manifolds when installed on the counterlungs.



5. Rear CC loop hoses



Figure 1-27.
Insert the rear left and right hose into the gas processing house.

Breathing loop

All of the components of the breathing loop discussed in this section were first introduced in Figures 1-1 and 1-4 above. It is useful to note that all breathing hoses and hose fittings are identical. There are a total of eight (8) hose connections to be made in the assembly of the Poseidon SE7EN. Assembly of these hoses starts at the gas processor, and continues forward to the mouthpiece.



Figure 1-28.
Closeup of hose connection.



Figure 1-29.
Push hose connector into receiver until outer flange is flush with start of threads.



Figure 1-30.
Hand tighten the swivel capture nut: Do NOT use tools or over-tighten.

First, select two hoses to be used as the rear left and right breathing hoses (Figure 1-27). Insert the end of one of the hoses into the left (inhalation) threaded breathing manifold (Figures 1-28 and 1-29). Pay particular attention to the condition of the radial o-ring on the end of the hose and to the radial sealing surface inside the lip of the threaded breathing manifold. The o-ring, o-ring groove, and sealing surface at the hose junction must all be clean and free of all debris; free of scratches and gouges; and properly lubricated before assembly. Be sure when inserting the hose end into the threaded breathing manifold that the radial o-ring does not extrude from its circular groove. The radial o-ring in the hose end should insert smoothly into the radial sealing surface (Figure 1-28) until it is no longer visible and the top rim of the hose end is flush with the ledge just above the threads on the manifold (see Figure 1-29).

Once the hose fitting is properly inserted (Figure 1-29), slide down and hand-tighten the hose swivel nut (Figure 1-30). Make sure that the threads are properly engaged and are not cross-threaded. The fittings are designed for ease of assembly, and the capture nut should freely rotate until the nut locks against the lower thread flange on the manifold. Do NOT over-tighten or use any tools, as this may result in stripping the threads and ruining both the connector and the manifold port.

Repeat these steps with the right rear breathing hose, so the rig is as shown in Figure 1-27.



Figure 1-31. Attach the right counterlung water diversion manifold to the right rear breathing hose.



Figure 1-32. Attach the left rear breathing hose to the left counterlung shoulder port.

The next step is to attach the rear right breathing hose to the “back” (see Figure 1-31) of the water diversion manifold. Insert the hose as shown in Figures 1-31. Follow the same procedure for o-ring and sealing surface inspection and lubrication as previously described for all hose connections. Tighten (but do NOT over-tighten) the right rear hose nut onto the right rear manifold thread.

Repeat these steps for the left water diversion manifold and counterlung (Figure 1-32).



DANGER:

Placing weights between the counterlung and counterlung shell affects the work of breathing and hydrostatic balance. Doing so is dangerous and can cause serious injury or death.



6. Attaching the cylinders

Attach the two tanks to the canister housing tank connections and secure them with the tank straps.

If you imagine wearing the unit on your back, the oxygen (white valve knob) tank should be mounted on your right hand side and the diluent (black valve knob) tanks should be mounted on your left hand side.

Make sure that tanks are filled with the correct gases.



Figure 1-33. The Diluent (black knob) tank is mounted on the unit's left hand side and the oxygen (white knob) is mounted on the unit's right hand side.

The Poseidon SE7EN is equipped with one mounting bracket holding two nylon cylinder straps with cam buckles on each side. Attachment of the diluent cylinder (black valve handle) is illustrated in Figures 1-33 and 1-34. After positioning the cylinder with the valve in the correct orientation, the strap should be pulled through the cam buckle to snug the cylinder so that it cannot rotate (Figure 1-34). Maintain the tension on the strap while threading it through the end slot of the cam buckle. Maintain tension while closing the cam, so as not to allow any slack to pass back through the buckle, then swing the cam buckle closed. The cylinder should be rigidly mounted to the gas processor housing once both upper and lower straps have been properly attached and secured.

Then repeat these steps on the oxygen cylinder (white valve handle).

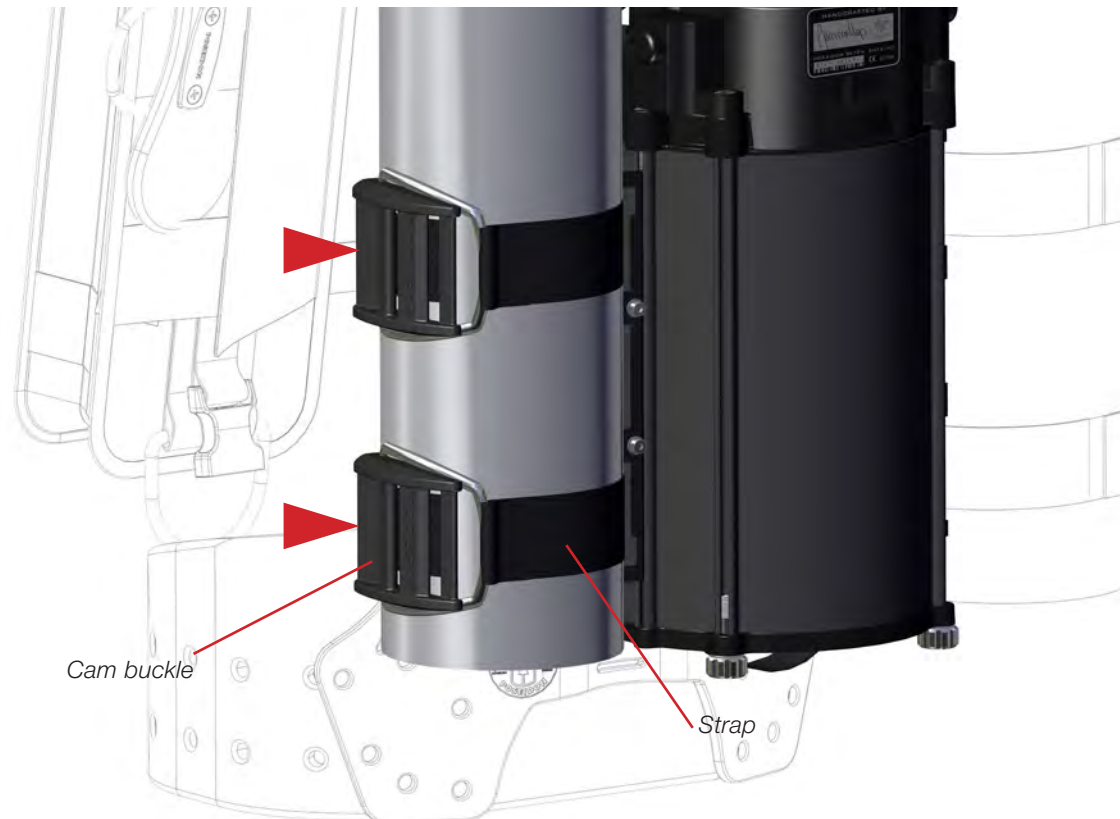


Figure 1-34. The tank bands should be tightened hard enough to prevent the tanks from rotating.

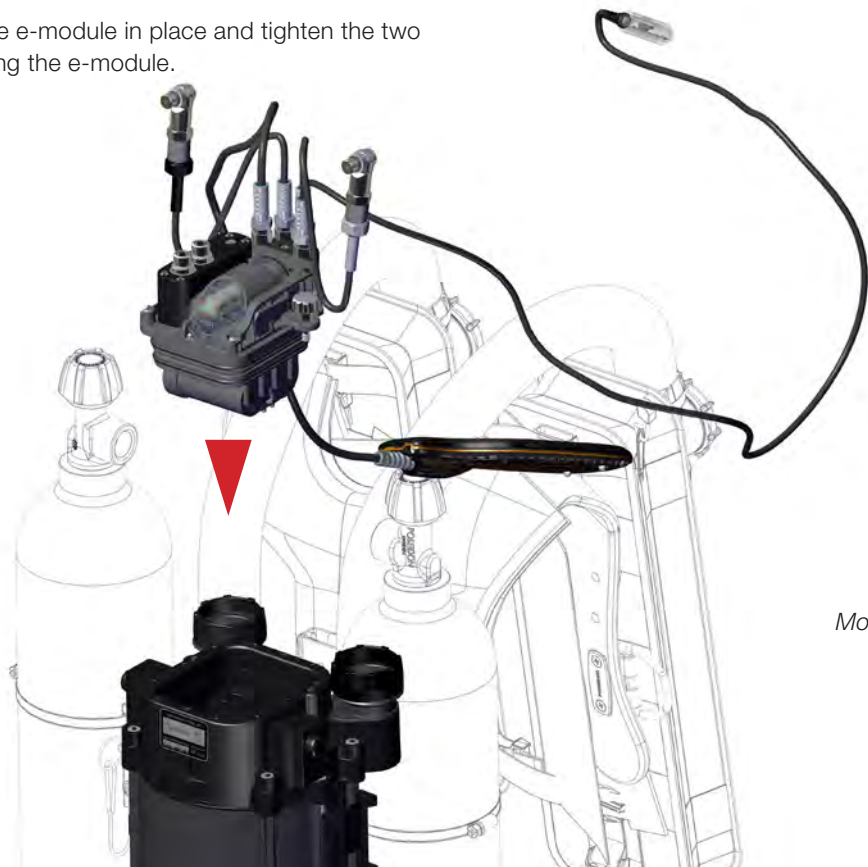


7. E-module

Check and make sure that the two o-rings around the e-module are in place and without damage.

Align the e-module so that the cable junction box point in the direction of the two canister housing top breathing loop interface.

Gently push the e-module in place and tighten the two screws, securing the e-module.



WARNING:

Cables should always be connected to the e-module. Connectors to display, hud and sensors are only meant to be disassembled for maintenance and replacement purposes by a trained service technician.

At the heart of the Poseidon SE7EN is an electronic, pneumatic, control, and user feedback system. The electronics module, shown at the center of Figure 1-35, contains the primary backpack computer system, the smart battery, and the pneumatics control block assembled in one compact plug-and-play block.

The electronics module contains its own processor, connected via a network to the processors in the primary display, battery module, and the HUD (head-up display) in the mouthpiece. Pneumatic connections to the oxygen and diluent regulators allow for PO_2 control and oxygen sensor calibration and validation. This entire electronics system comes pre-assembled from Poseidon when you purchase the Poseidon SE7EN. Several of these sub-systems will be discussed in detail later.

To begin assembly of the electronics module into the gas processor backpack, set the cartridge housing upright and on a solid flat base as shown in Figure 1-35.

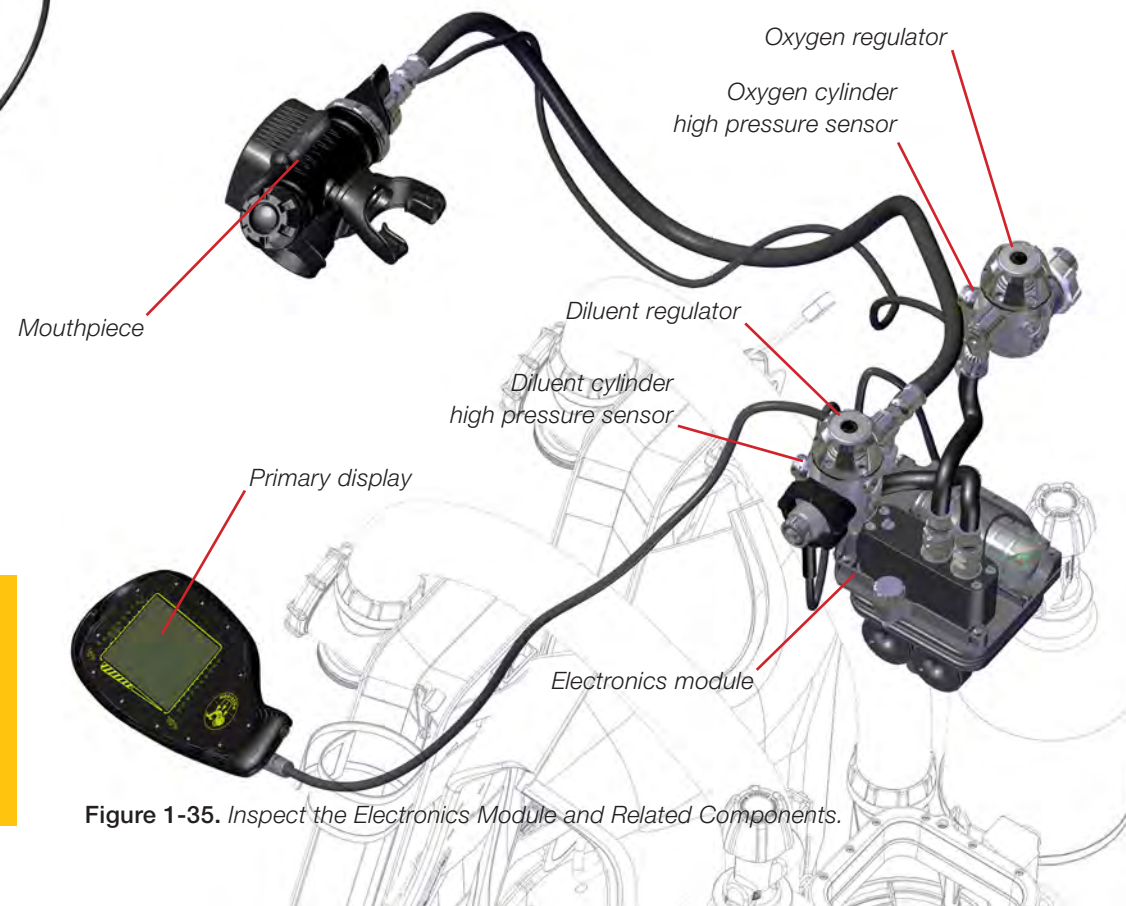


Figure 1-35. Inspect the Electronics Module and Related Components.



Inspect the inner and outer radial sealing surfaces in the electronics module receiver pocket at the top of the gas processor (see Figure 1-36). These surfaces should be free from scratches, gouges, and dings. Ensure that these surfaces have a smooth application of lubricant and that no debris, dust or other foreign material is present.

Inspect both inner and outer electronics module radial o-rings (Figure 1-36). If any of the o-rings are damaged, cut, or gouged, replace them. Ensure that each o-ring is lubricated and that there is no debris, dust, sand etc. on any of the o-rings.

Orient the electronics module such that the cable entry port is aligned towards the front of the gas processor, as shown in Figure 1-36, and carefully press the electronics module into the receiver pocket in the top of the gas processor housing as shown in Figure 1-36.

Be sure when inserting the electronics module into the open receiver cavity at the top of the gas processor that the radial o-rings do not extrude from their circular grooves. The radial o-rings in the electronics module should insert smoothly into the gas processor receiver cavity until they are no longer visible and the under-side lip of the electronics module fastener hand nut flange is flush with the top ledge of the gas processor receiver cavity. (see Figures 1-36 and 1-37 for proper seating of the electronics module).

Tighten the left and right retainer hand nuts as shown in Figure 1-37. Do NOT use tools or you may strip the threads. Great force is not required to seal the module.

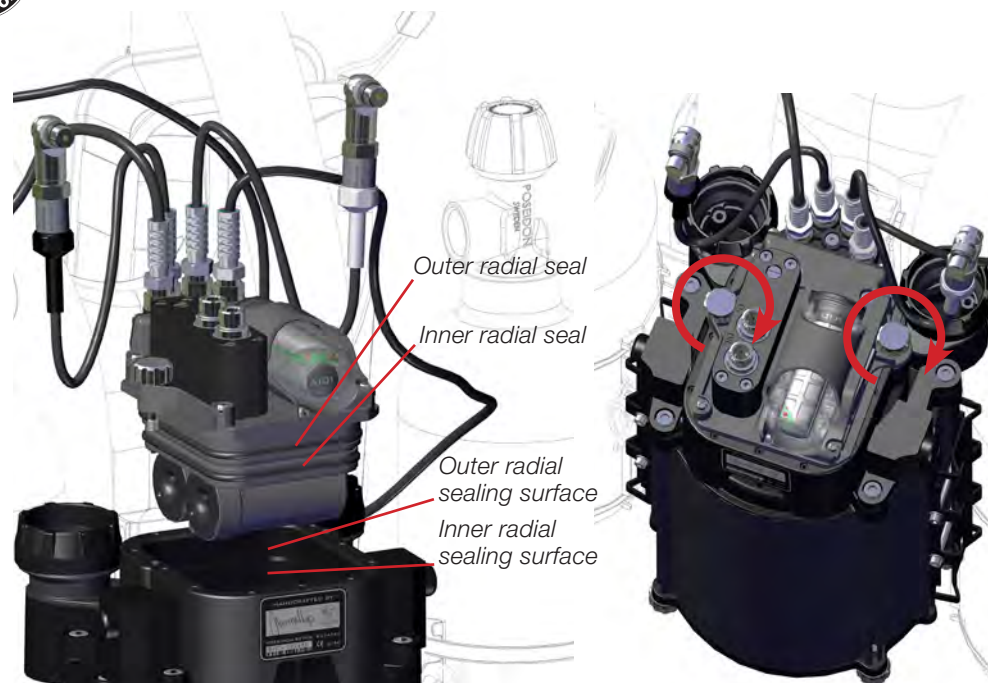


Figure 1-36. Align the cable junction box with the front of the gas processor (closest to backpack), then insert the electronics module into the processor housing

Figure 1-37. Firmly screw down the hand nut on the right and the left side of the electronics housing (use NO tools)

WARNING:

Deep, permanent scratches, cuts, gouges or other damage to the polished radial sealing surfaces of the electronics module, and/or failure to ensure that all electronics module o-rings are in place, free of debris, and are lubricated, could lead to water entry into the top of the cartridge housing during a dive, eventually causing a lock-up of the breathing loop and forcing an immediate open-circuit abort to the surface.

DANGER:

The electronics module contains the most important life-critical element of the Poseidon SE7EN: the oxygen sensors. A leak into the electronics housing may contaminate the oxygen sensors and prevent them from providing correct readings. Dual radial o-rings help to guard against this, and the computer system is programmed to discover anomalies in the oxygen sensors and to attempt to repair the situation. Detection of an oxygen sensor anomaly will lead the computer to advise an immediate abort to the surface in open-circuit mode. Always pay particular attention to the instructions regarding o-ring installation and o-ring surface inspection.



8. 1st stages

Connect the 16 cm Low Pressure hose to a IP port on the diluent 1st stage and to the 9/16" connection on the pneumatics block marked DIL.

Make sure the connection o-ring is in place and without damages. See Figure 1-38.

Figure 1-39 illustrate the assembly of the diluent cylinder with the gas processor stack, analogous to that of attaching the oxygen cylinder. Always inspect cylinder and regulator threads and the regulator o-ring before assembly. If the regulator o-ring is damaged, gouged, scratched or otherwise worn or cut, replace it with an appropriate Poseidon oxygen-cleaned o-ring.



Figure 1-38.
16 cm Low Pressure hose's
to the pneumatics block.



Figure 1-39. Align the diluent regulator with the diluent cylinder female DIN thread. Push it in and hand tighten the diluent regulator swivel nut.

Figure 1-40. Align the oxygen regulator with the oxygen cylinder female DIN thread. Push it in and hand tighten the oxygen swivel nut.

Connect the oxygen clean (white marking) 16 cm Low Pressure hose to a IP port on the oxygen clean 1st stage and to the 9/16" connection on the pneumatics block marked O₂. See Figure 1-38. Make sure the connection o-ring is in place and without damages.

Figure 1-40 show how to connect the oxygen regulator to the oxygen cylinder valve. Both the cylinder fitting and the regulator fitting and o-ring should be carefully inspected for signs of organic debris, grease, oil, and hydrocarbons. If the regulator o-ring is damaged, gouged, scratched or otherwise worn or cut, replace it with an appropriate Poseidon oxygen-cleaned o-ring.

The oxygen cylinder valve (for European users) is an M26x2 female DIN thread. This is larger than the G-5/8 DIN thread that is commonly used in both the United States and in Europe for compressed air Scuba. The purpose of using different threads is to make it absolutely clear that the oxygen delivery system is different from the diluent delivery system. Accidental connection and use of diluent through the oxygen regulator can be considered a compromise of the oxygen cleaning requirements. If contamination occurs, the compromised components should be taken to an authorized Poseidon Tech Center representative or a qualified tech dive shop technician for oxygen cleaning.

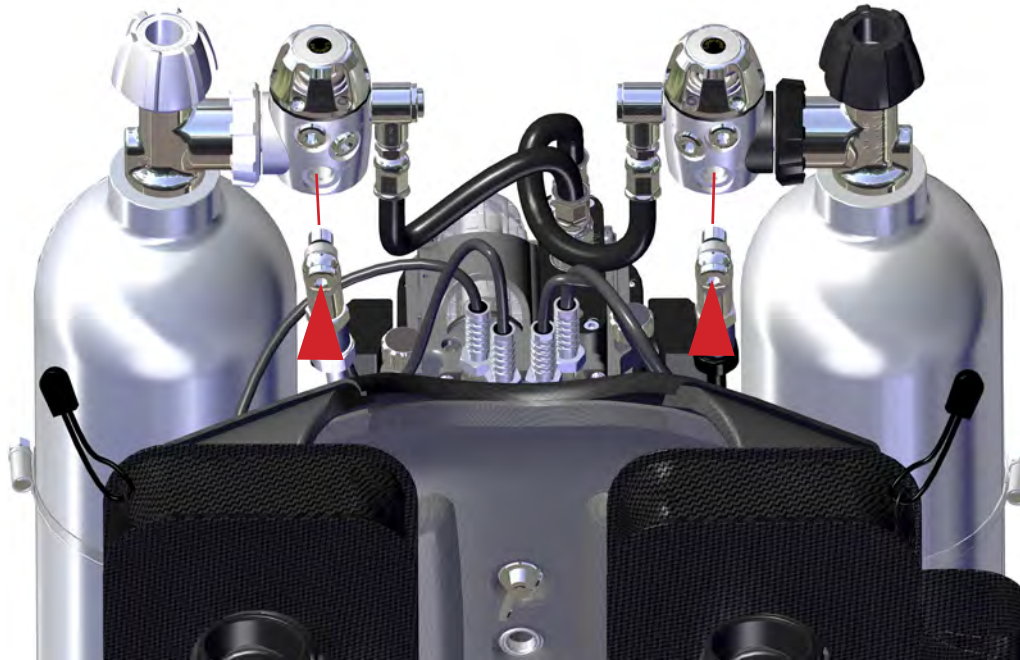


Figure 1-41. Align the oxygen clean and Align the diluent.

Connect the oxygen clean (white marking) High Pressure sensor located on the E-Module to a HP port on the oxygen clean 1st stage. See Figure 1-41

Connect the second High Pressure sensor located on the E-Module to a HP port on the diluent 1st stage. See Figure 1-41.

DANGER:

All components exposed to pressurized oxygen – including the oxygen cylinder, valve, and regulator – must remain free of hydrocarbons (grease, oil, gasoline etc) and other organic compounds. Never expose these components to compressed air, which can contaminate components with oil. Always have these components cleaned and serviced by a Poseidon Tech Center representative or other qualified personnel. Always use oxygen-compatible lubricants when servicing o-rings and seals. Open oxygen cylinder valves slowly. Keep the oxygen regulator and cylinder valve protected from the environment when removing and storing. Never over-fill the oxygen cylinder, as higher pressures enhance the risk of fire. Failure to follow these precautions could result in fire, explosion, serious injury, and death.

WARNING:

Never attempt to adjust the interstage pressure or otherwise tamper with either of the first-stage regulators. Excessive pressure can cause the system to fail.



9. LP hose & HUD to mouthpiece

Connect the long braided 90 cm Low Pressure hose to a IP port on the diluent 1st stage. See Figure 1-42. Make sure the connection o-ring is in place and without damages.

Connect the long braided 90 cm Low Pressure hose to the 9/16" connection on the mouthpiece. See Figure 1-44.

Twine the HUD cable located on the E-Module around the braided 90 cm hose and attach the HUD to the moutpiece and make sure it is properly secured. See Figure 1-43 and 1-44.

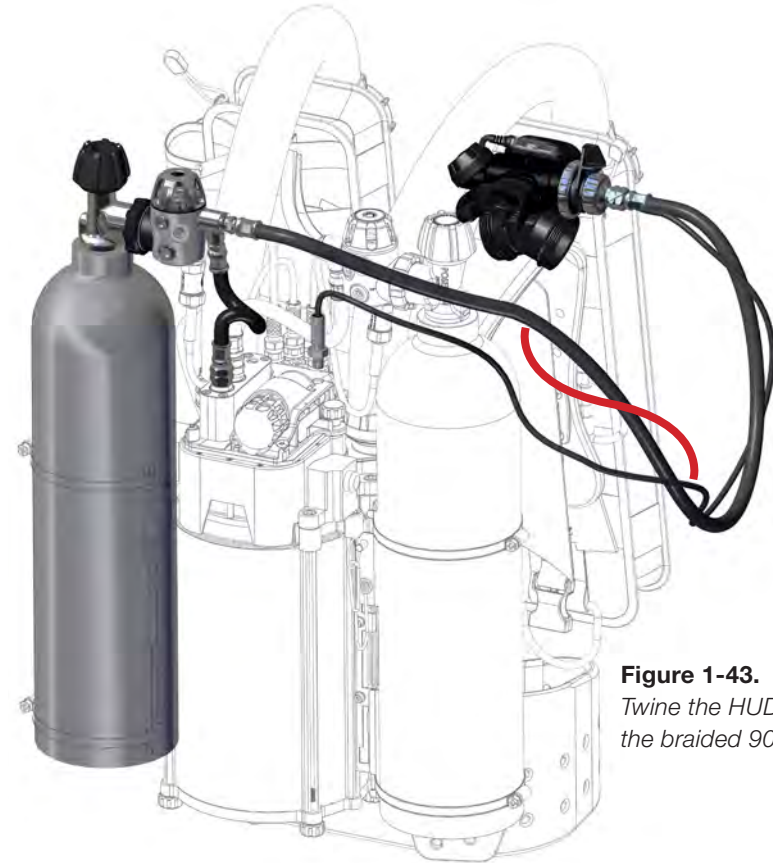


Figure 1-43.
Twine the HUD cable around the braided 90 cm hose.

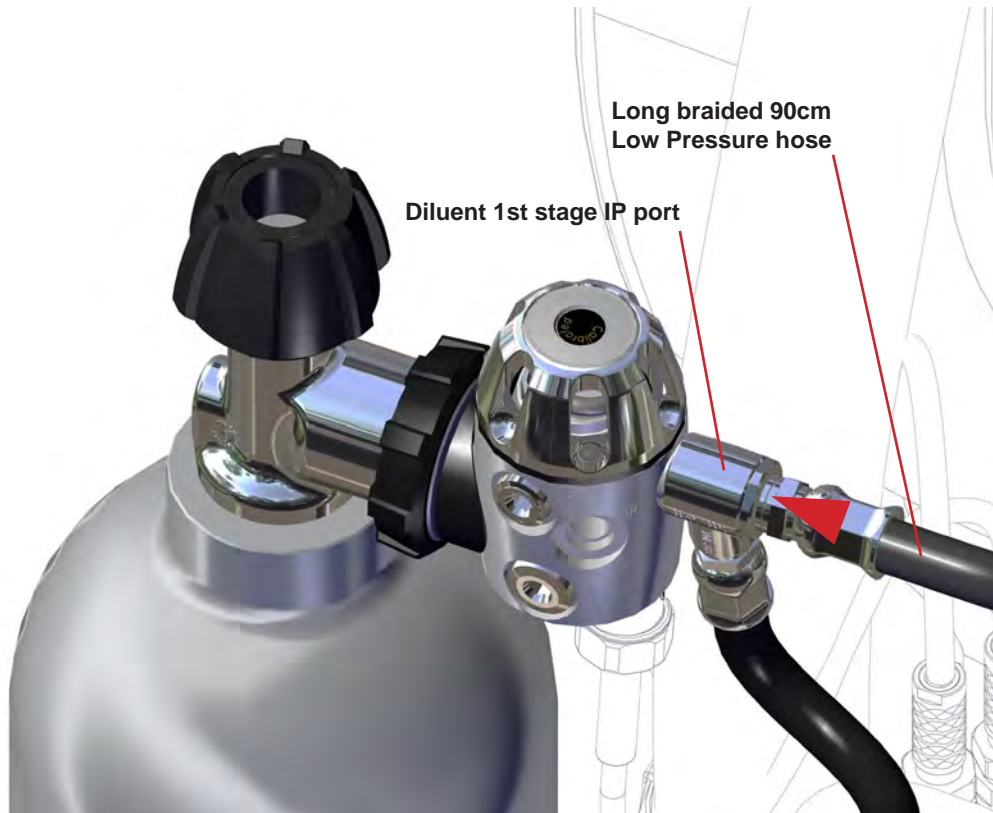


Figure 1-42.
Connect the long braided 90 cm Low Pressure hose to the diluent 1st stage IP port.

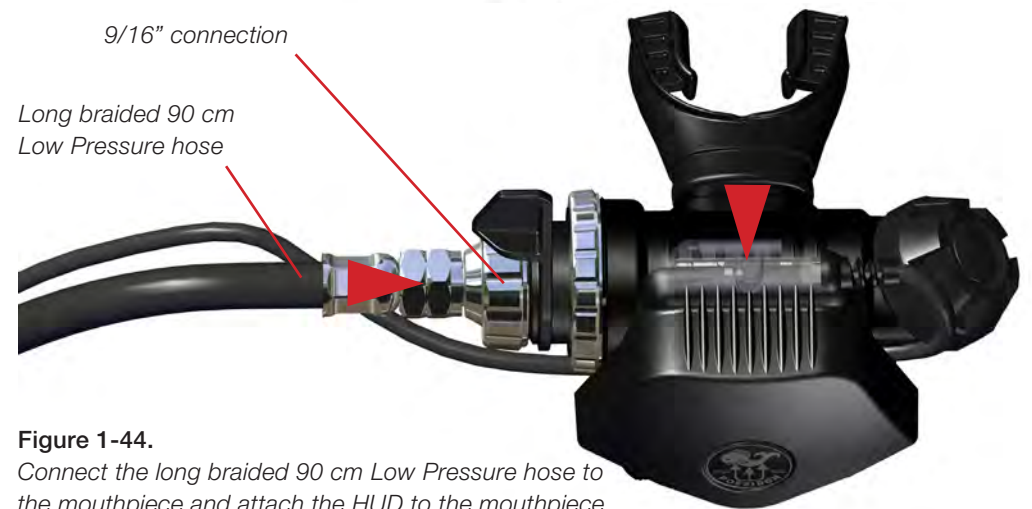


Figure 1-44.
Connect the long braided 90 cm Low Pressure hose to the mouthpiece and attach the HUD to the mouthpiece.



10. Jetstream Octopus

The Poseidon SE7EN is delivered with an alternative air source (i.e. Octopus) that should be connected to the diluent 1st stage.

To fully understand the functions of the Jetstream Octopus, please read the Jetstream Octopus manual.

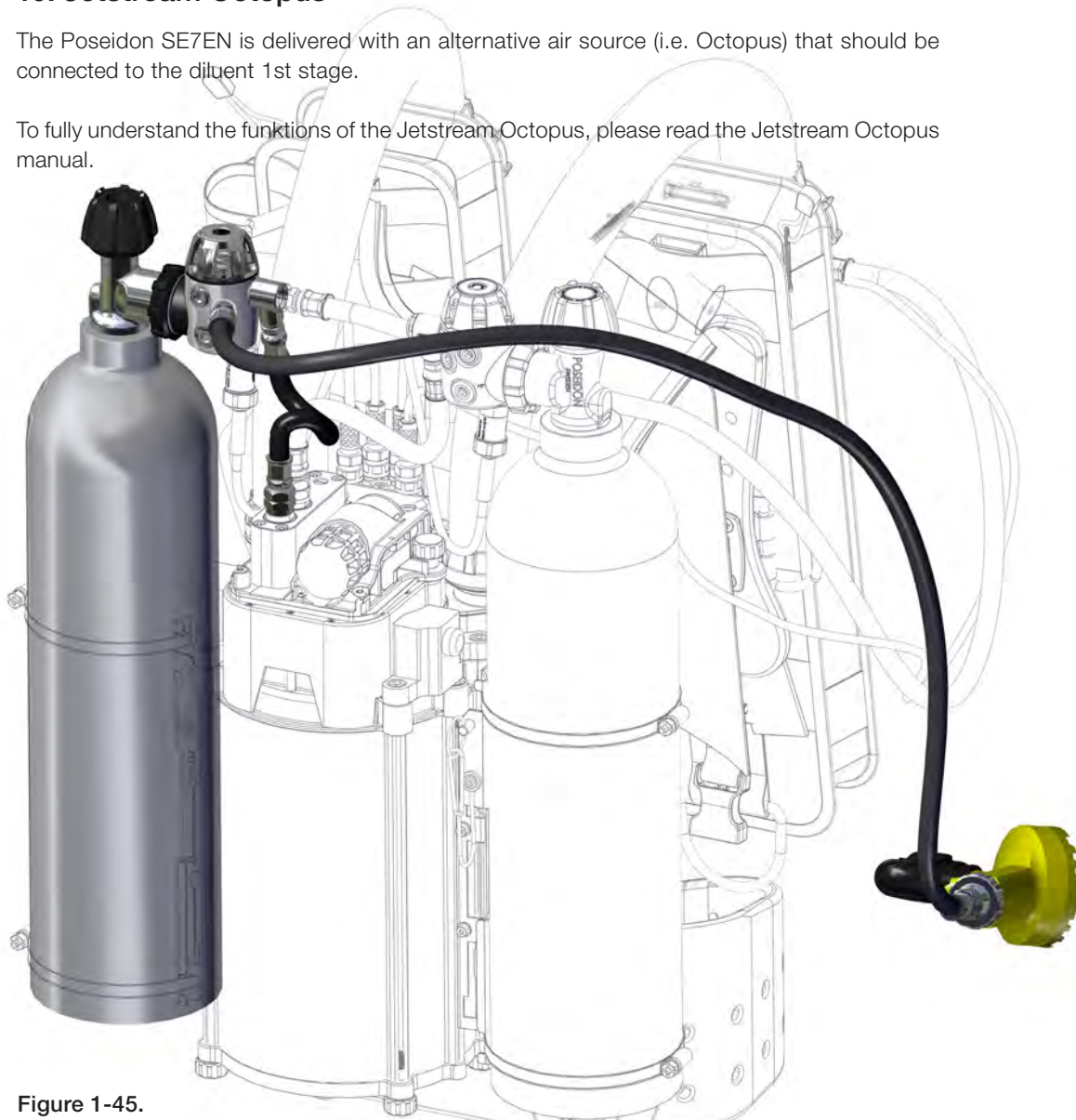


Figure 1-45.

The alternative air source (i.e. Octopus) should be connected to the diluent 1st stage and the LP hose should be routed in such way that it allows easy access to the alternative air source in case of an emergency situation.



Figure 1-46.

Connect the alternative air source low pressure hose to a low pressure port (marked "IP") on the diluent (black connection wheel) 1st stage.



11. Front CC hoses to counter lung T-section

Connect the left front CC loop hose to the inhalation counter lung T-connection.

Connect the right front CC loop hose to the exhalation counter lung T-connection.

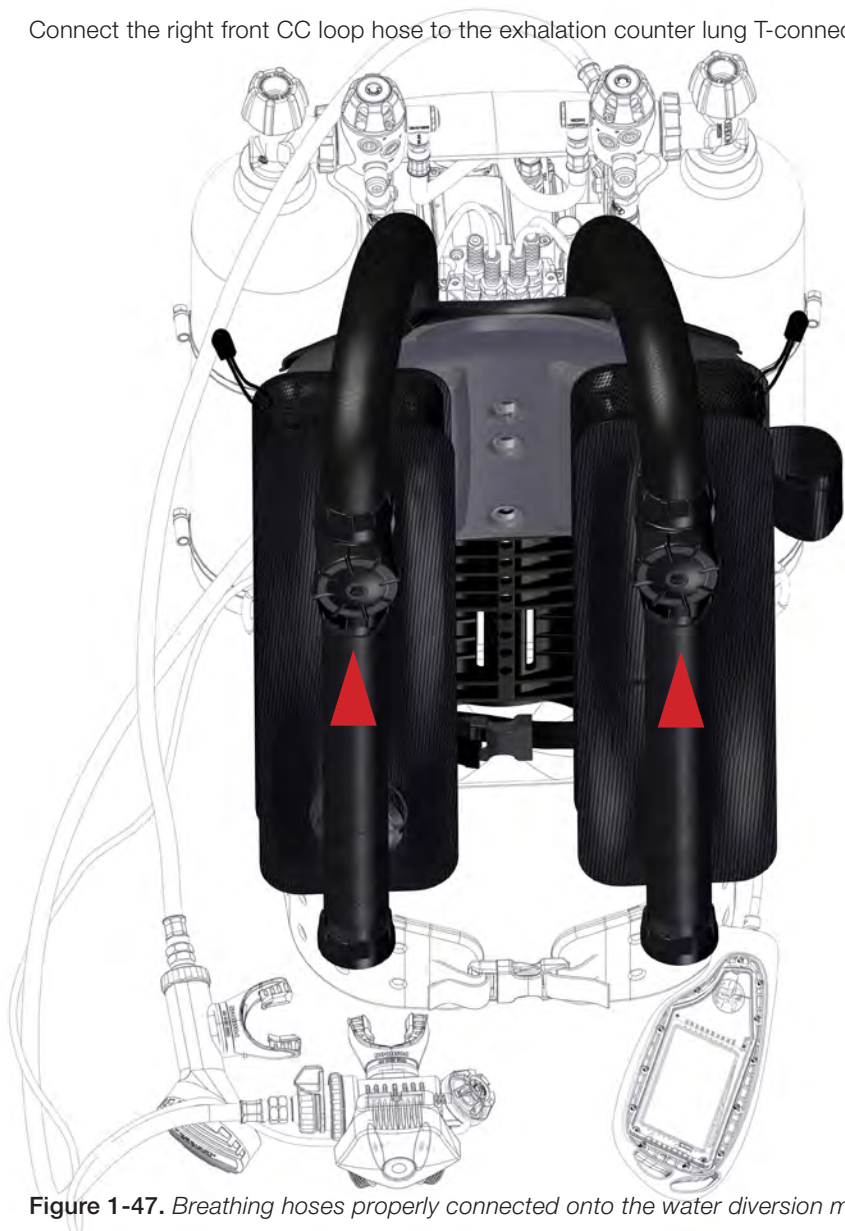


Figure 1-47. Breathing hoses properly connected onto the water diversion manifolds.

Lay out the two remaining breathing hoses. Connect the right front breathing hose to the front port of the right counterlung water diversion manifold (Figures 1-48). All of the previously mentioned practices concerning inspection and lubrication of o-rings and o-ring receiving surfaces apply. Hand tighten the hose retainer nut as shown in Figure 1-48. Use NO tools. Repeat this process for the left front breathing hose attachment to the front port of the water diversion manifold for the left counterlung. The result should now appear as shown in Figure 1-47.

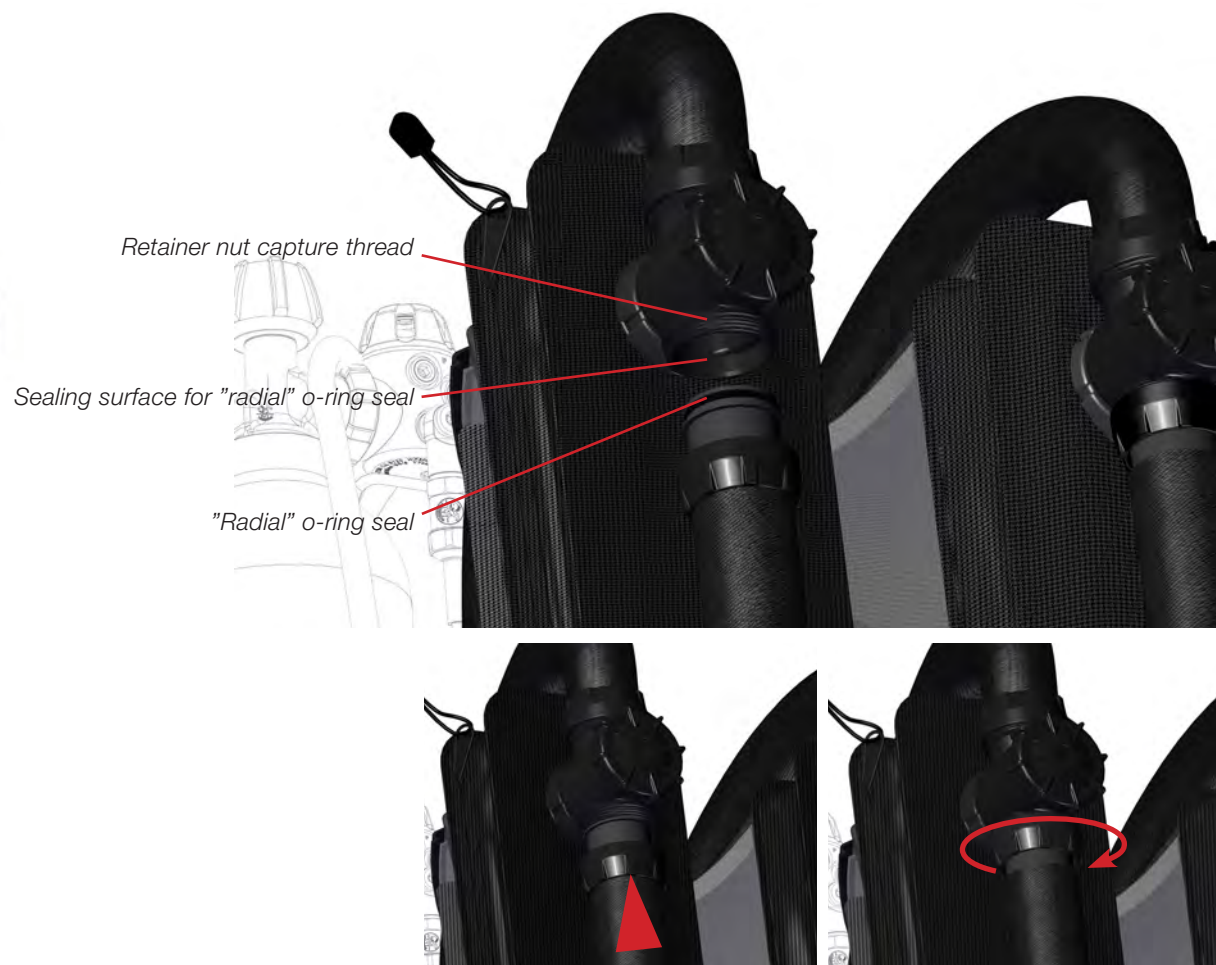


Figure 1-48. Hand tighten (clockwise) the swivel nuts for the front breathing hoses at the front shoulder ports. DO NOT use tools or over-tighten.



12. Front CC hoses to mouthpiece

Make sure that the in- and exhalation check valves are installed in the mouthpiece, in their correct position.

Make sure the check valves are undamaged, that they aren't folded in any way and that they are clean.

Make sure you have the mouthpiece in the correct position. Connect the front left CC loop hose to the inhalation side CC loop hose connection of the mouthpiece.

Connect the front right CC loop hose to the exhalation side CC loop hose connection of the mouthpiece.



Figure 1-49. Breathing hoses properly connected to the mouthpiece.

The final step in assembling the breathing loop is the convertible open-circuit / closed-circuit mouthpiece. Figure 1-50 shows the bottom half of the mouthpiece and the two closed-circuit (CC) hose connections. Each CC connection contains within it a removable flow checkvalve and o-ring sealed carrier plate. These checkvalves constrain the direction of the breathing gas from left to right. The left CC entry port into the mouthpiece is the “upstream” or “inhalation” port, and the right CC entry port is the “downstream” or “exhalation” port. Figure 1-50 shows a close-up view of the downstream CC checkvalve. It should be free of debris and should lie smooth and uniformly flat against its removable carrier plate. If there is any curling, cuts, gouges or other damage to the checkvalve, remove the carrier plate and replace the checkvalve only with a Poseidon original manufacture mouthpiece checkvalve. Attach the right hand front breathing hose to the downstream CC port as shown in Figure 1-50, following the procedures previously described.

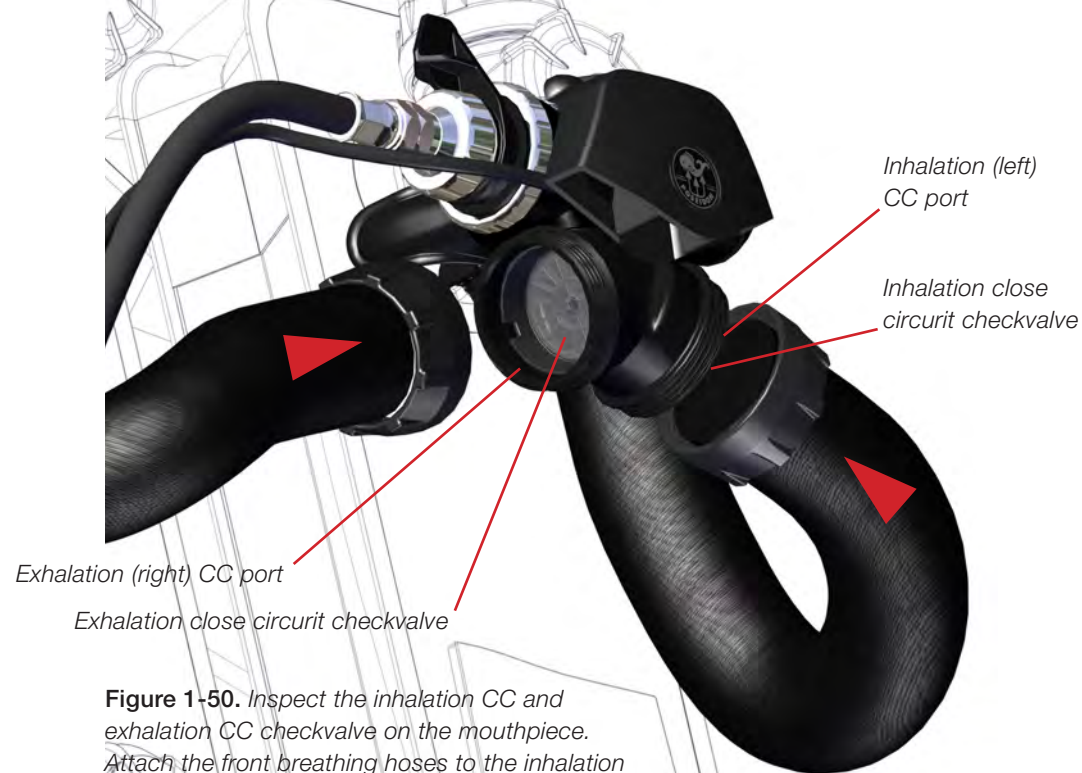


Figure 1-50. Inspect the inhalation CC and exhalation CC checkvalve on the mouthpiece. Attach the front breathing hoses to the inhalation and exhalation CC ports on the mouthpiece. Tighten the hose nut on the downstream CC port threads. **DO NOT** use tools or over-tighten.



Inspect the upstream CC checkvalve. It should be free of debris and should lie smooth and uniformly flat against its removable carrier plate. If there is any curling, cuts, gouges or other damage to the checkvalve, remove the carrier plate and replace the checkvalve only with a Poseidon original manufacture mouthpiece checkvalve. Attach the left front breathing hose to the upstream CC port as shown in Figure 1-50, following the standard hose connection procedures previously described. The breathing loop assembly is now complete.

The result should now appear as shown in Figure 1-49.

WARNING:

Carefully inspect all breathing-hose o-rings when assembling the breathing loop, and ensure that the fittings themselves are properly attached to the hoses. Sometimes the fittings can become loose and form an imperfect seal. Careless assembly can lead to poor seals, and increase the risk of water entering the breathing loop during a dive.

DANGER:

Ensure that the checkvalves are inserted properly and in the correct orientation.

WARNING:

The hoses are designed to function properly in all normal diving environments. However, if the hoses are exposed to temperatures in excess of 70°C / 158° F, they may become permanently deformed, and would need to be replaced.

IMPORTANT:

The left and right checkvalves and their carrier plates in the mouthpiece are identical to each other. However, because of the way they are designed, they will only fit into each port on the bottom of the mouthpiece in the correct orientation. If inserted the wrong way, they will not fit properly, and the hose connections will not fit into the ports. If you have trouble inserting the hose fittings into the mouthpiece CC connection ports, ensure that the checkvalves are inserted properly and in the correct orientation. Also, although it is technically possible to assemble the mouthpiece up-side-down, this will be immediately obvious when the gas supply hose to the integrated regulator comes from the wrong side, and the breathing hoses obstruct your mask. If the breathing hoses block your view when holding the mouthpiece in your mouth, then the mouthpiece may have been installed up-side down. It is actually not dangerous to dive this way, but you will appear quite foolish.



13. Cover



Figure 1-51. Hook the cover lower part to the tank connection bracket.



Figure 1-52.
Press the upper part forwards so the mechanism engages.
Make sure the cover is securely fixed "click".



Figure 1-53.
On both sides of the cover there are individual buttons to release when disassemble.



14. Scrubber

The largest physical element of the rebreather is the CO₂ absorbent system, also referred to as the “Gas Processor” unit (it physically includes the gas sensing and electronics control modules). The outer shell of this system (shown in Figure 1-54) comprises the structural backbone of the Poseidon SE7EN and both the diluent and oxygen cylinders attach to the side of this extruded aluminium tube. The top section of the housing is the mounting structure for the electronics module. The main tube is the housing for the CO₂ absorbent cartridge. The base plate seals the housing and also allows for modular loading of the CO₂ absorbent cartridge.

Because CO₂ production rate is closely correlated with oxygen consumption, the Poseidon SE7EN was designed such that the CO₂ absorbent cartridge duration corresponds to the oxygen cylinder capacity. Thus, the absorbent cartridge **MUST** be replaced whenever the oxygen cylinder is refilled. To remove the spent cartridge, loosen all four (4) large hand nuts at



Outer shell - Cartridge housing

Figure 1-54.
Overview of the cartridge house and the CO₂ absorbent cartridge.

the bottom of the cartridge housing to the point where they spin freely (no tools are required; see Figure 1-56).

The canister has been tested for a duration of 180 minutes at 40m, water temp 4°C, and a breathing rate of 40lpm producing 1.6 l CO₂ per minute at STPD (Standard Temperature & Pressure, Dry in accordance with EN14143). The canister duration is affected by depth; diving the SE7EN to 60m reduces the performance. At 60m the canister has been tested for a duration of 120 minutes, water temp 4°C, and a breathing rate of 40lpm producing 1.6 l CO₂ per minute at STPD (Standard Temperature & Pressure, Dry in accordance with EN14143).

With the nuts loose, pull the webbing handle on the bottom of the housing in a fashion, so that it moves in the opposite direction from the electronics housing. Because o-ring seals can “set” with time it may be necessary to restrain the tube with one hand while pulling with the other (see Figure 1-57). Make sure that the nuts are completely free from the heli-coils before pulling out the bottom lid.

Once the dual radial seals on the end cap have cleared the end of the housing tube, the CO₂ absorbent cartridge will freely slide out, as shown in Figure 1-58.



SofnoDive® 797 Pre-pack
CO₂ absorbent Cartridge

Figure 1-55.
The CO₂ absorbent cartridge with the SofnoDive® 797 Pre-pack CO₂ absorbent Cartridge inside.

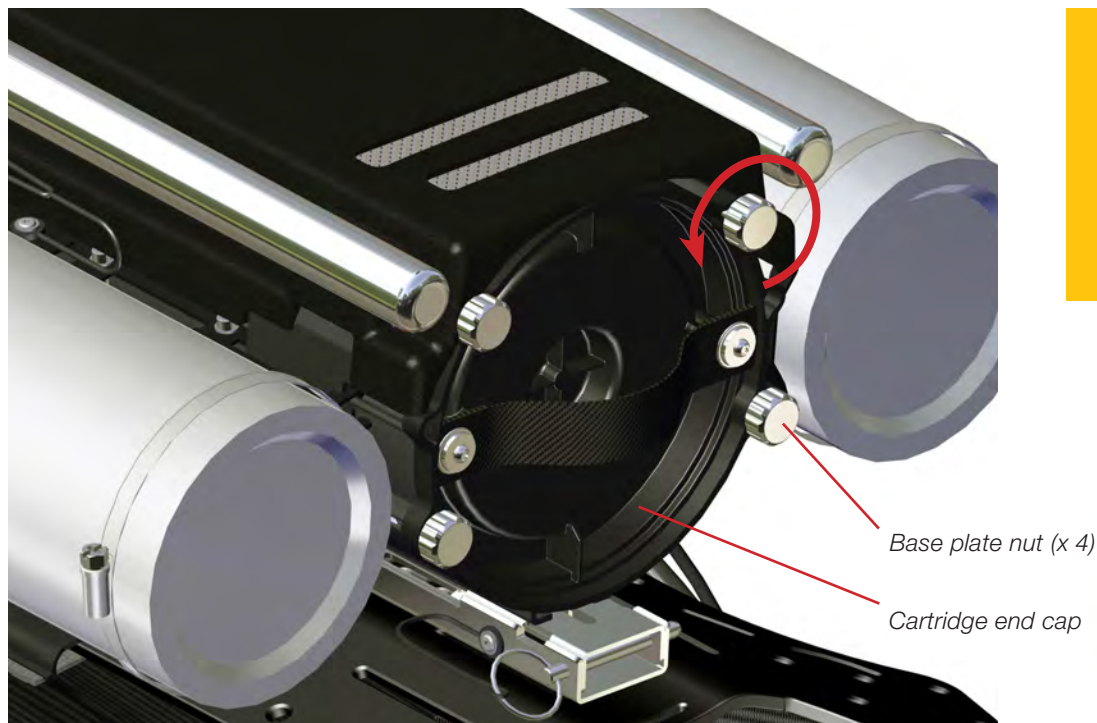


Figure 1-56. Loosen the hand nuts attaching the bottom plate.

WARNING:
 The CO₂ absorbent cartridge is intended for use with a single fill of the standard 3-liter oxygen cylinder provided with the Poseidon SE7EN. The cartridge **MUST** be replaced whenever the oxygen cylinder is re-filled. When in doubt, discard the cartridge and replace it with a fresh one.

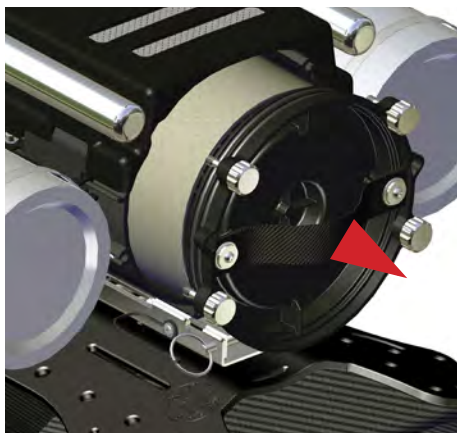


Figure 1-57. Remove the End Plate.

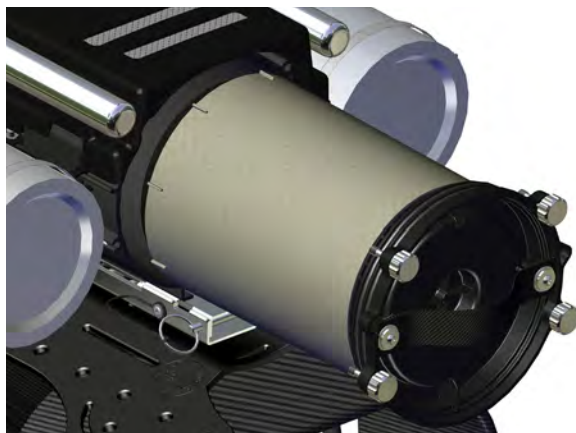


Figure 1-58. Remove the Absorbent Cartridge.

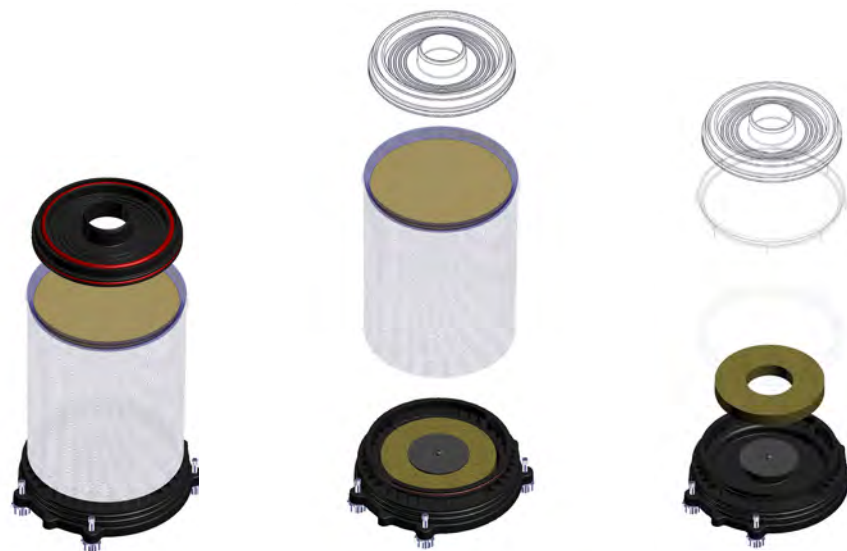


Figure 1-59.
 Remove the cartridge top plate.

Figure 1-60.
 Remove the end plate.

Figure 1-61.
 Lift and remove the lower sponge; inspect for collected water. Rinse, dry, and store the lower sponge; disinfect if desired.

The sponge should be dried after every dive (even if a repetitive dive is planned), to avoid potential problems with the oxygen sensors. It is also good practice to rinse, disinfect, and dry the absorbent sponge following a dive. Any disinfectant solution that doesn't have a negative effect on plastics and/or rubber can be used for this purpose. Poseidon recommends using a disinfectant called Gigasept™ or a disinfectant called Virkon.



! DANGER: Dangerous levels of carbon dioxide (CO₂) can cause symptoms that include, but are not limited to, rapid breathing, severe headache, tunnel vision and disorientation. High CO₂ levels can also increase the potential for oxygen toxicity. Diving a closed-circuit rebreather with an expended CO₂ absorbent cartridge could lead to serious injury or death. When in doubt, switch the mouthpiece to open-circuit mode and end the dive immediately.

Next, remove the black top-of-cartridge interface cap (Figure 1-59), and clean, disinfect, dry, and stow that component. Note that this cap is fitted with two o-rings – a top-mounted axial o-ring that seals to the interior top of the cartridge housing, and a radial o-ring that seals to the top receiver pocket on top of the CO₂ absorbent cartridge. Replace these o-rings if cuts or gouges are present.

Remove the pre-packed absorbent cartridge (Figure 1-60) from the base plate and properly dispose of the cartridge. Replacements (discussed below in detail) are the pre-packed Sofno-dive® 797 manufactured by Molecular Products and available through Poseidon authorized dive centers and dealers.

With the cartridge removed, inspect the cartridge housing end plate (Figure 1-61) for scratches and gouges to any of the o-rings or o-ring sealing surfaces. Replace o-rings if required and re-lubricate. Lift up and remove (Figure 1-61) the bottom annular sponge water trap. This sponge should be relatively dry when diving in relatively warm water, but may be damp or soaked when diving in cold water. Improper use of the rebreather may also allow water to enter the breathing loop, and possibly reach the cartridge housing. While the water diversion manifolds will trap most of the water, acrobatic swimming (rolls, flipping from head down to head up orientation etc) can defeat the system if the user is not paying attention, causing water to reach the sponge.

It is good practice to rinse, disinfect, and dry the lower absorbent sponge following a dive. Any disinfectant solution that doesn't have a negative effect on plastics and/or rubber can be used for this purpose. Poseidon recommends using a disinfectant called Gigasept™ or a disinfectant called Virkon.

At this point it is time to load a fresh SofnoDive® 797 CO₂ absorbent cartridge. Cartridges are available two to a pack (Figure 1-62) and are sealed in an air tight envelope for long term storage. As previously described, each new cartridge is good for at least 3 hours of diving (some users may obtain greater range depending on metabolic oxygen consumption rates). Once you open the air tight shipping envelope the SofnoDive® 797 cartridge is activated.

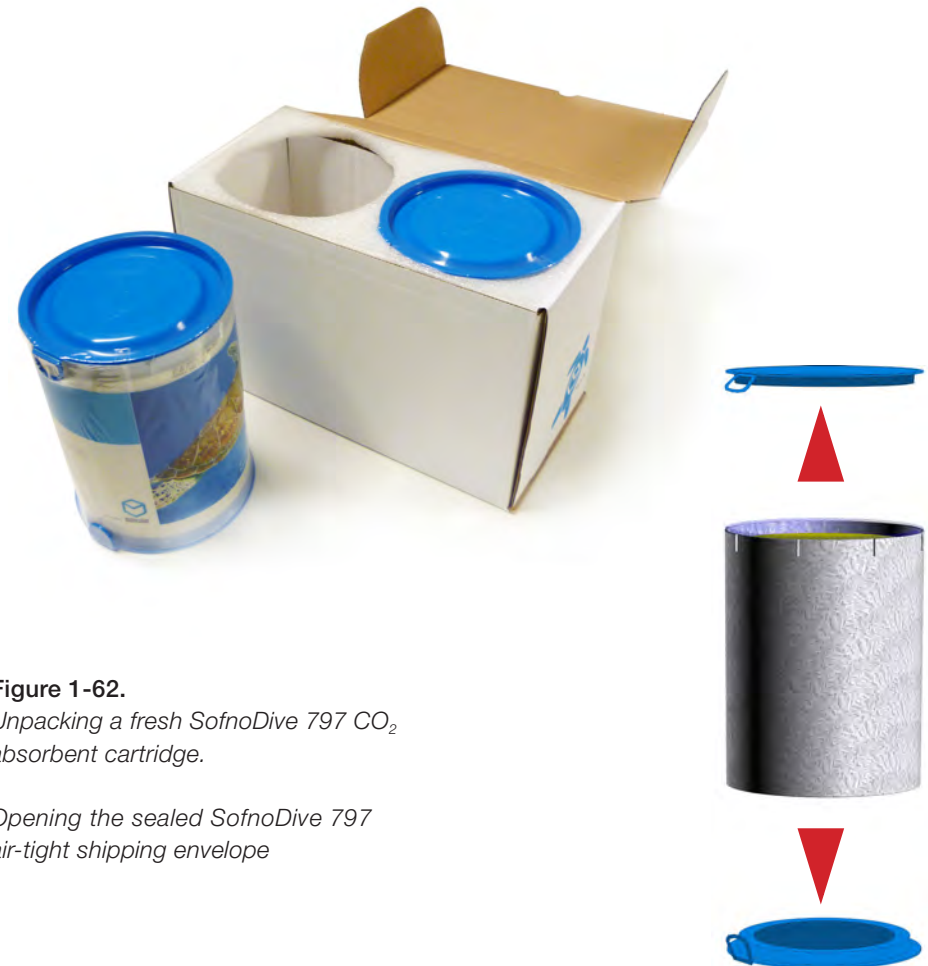


Figure 1-62.
Unpacking a fresh SofnoDive 797 CO₂ absorbent cartridge.

Opening the sealed SofnoDive 797 air-tight shipping envelope

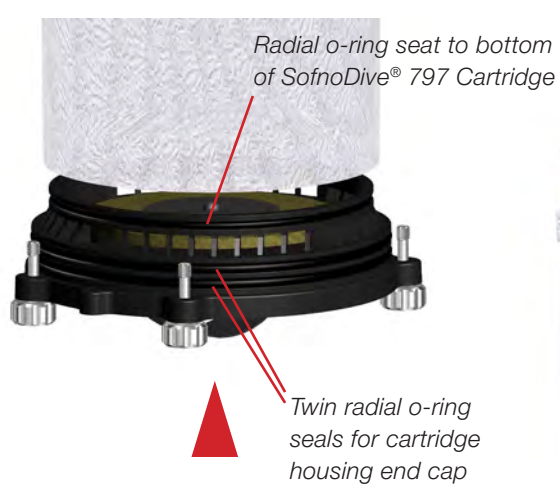


Figure 1-63.
Loading the Cartridge End Cap into the new replacement SofnoDive® 797 cartridge.

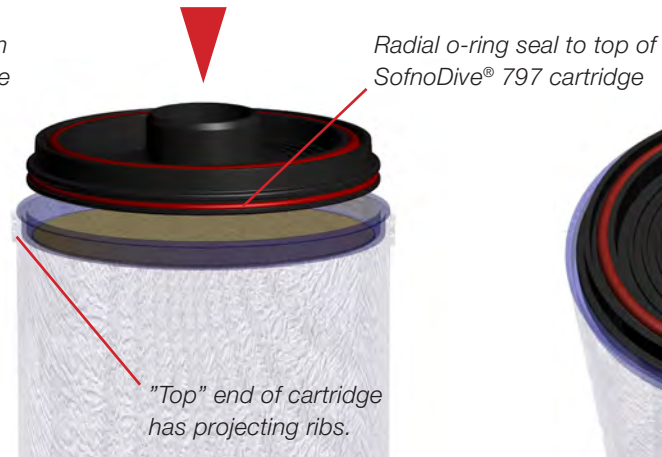


Figure 1-64.
Loading the Poseidon SE7EN Cartridge Top Cap into the replacement SofnoDive® 797 cartridge

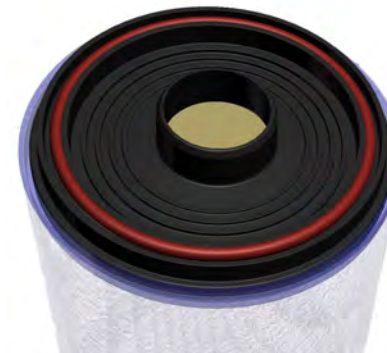


Figure 1-65.
Insert cartridge top plate and inspect the face-seal o-ring.



Figure 1-66.
Inspect and lubricate cartridge housing end cap radial sealing surface.

Inspect the two larger radial o-rings on the cartridge end cap (Figure 1-63), and if either is damaged, cut, or gouged, replace it (the third o-ring that mates with the cartridge does not form a seal). Ensure that each o-ring is lubricated and that there is no debris, dust, sand, etc. on any of the o-rings. Insert a dry, clean, disinfected annular sponge into the receiver pocket for the cartridge end cap water trap (this is the reverse of the procedure shown in Figures 1-60 and 1-61). Be sure the inner diameter of the sponge is locked under the retainer plate (see Figure 1-60).

Insert the end cap into the bottom of the SofnoDive® 797 cartridge. The "bottom" end is the one with the smooth cylindrical outer face. Be sure when you insert the end cap into the cartridge that the radial o-ring does not extrude from its circular groove. The top radial o-ring in the end cap should insert smoothly into the CO₂ cartridge until it is no longer visible and the bottom of the cartridge is flush with the ledge just above the two main radial o-rings.

Inspect the cartridge top plate (Figure 1-64) and its radial and axial o-ring seals. If any of the o-rings are damaged, cut, or gouged, replace them. Ensure that each o-ring is lubricated and

that there is no debris, dust, sand etc. on any of the o-rings. Insert the cartridge top plate into the top of the SofnoDive® 797 cartridge. The "top" end is the one with the projecting ribs along the circumference of the end of the cylinder. Be sure when you insert the cartridge top plate into the cartridge that the radial o-ring does not extrude from its circular groove. The radial o-ring in the cartridge top plate should insert smoothly into the CO₂ cartridge until it is no longer visible and the top rim of the cartridge is flush with the ledge just above the radial o-ring. Unlike the radial o-ring that seats in the bottom end of the cartridge, the top radial o-ring does form an important seal, so take extra care to make sure the seal is snug and reliable.

(Figure 1-65; this is the reverse of the procedure shown in Figure 1-59 above). Inspect the radial sealing surface at the bottom of the cartridge housing (Figure 1-66). This surface should be free from scratches, gouges, and dings. Ensure that this surface has a smooth application of lubricant and that no debris, dust or other foreign material is present.

**IMPORTANT:**

In between dives vent the system by removing the e-module from the canister housing top.

The importance of ensuring that all exposed o-rings and their respective sealing surfaces are smooth and clean cannot be overstated. Careless treatment of these o-rings could cause an entry path for water into the system, leading to an aborted dive (or worse). A slow leak may represent a minor inconvenience, but may eventually lead to more severe problems later. A fast leak could lead to an immediate requirement for an open-circuit abort to the surface. O-rings and their sealing surfaces are at the heart of reliable operation of the Poseidon SE7EN. Pay attention to this detail when you assemble the rig.

Insert the assembled CO₂ absorbent stack into the cartridge housing (see Figure 1-67). Take care during the final stage of assembly to align the four hand nuts with their respective threaded connectors on the extruded cartridge housing. There is only one possible orientation in which all four screws will align with those on the housing. Be sure when you insert the end cap into the cartridge that the radial o-rings do not extrude from their circular grooves (see Figure 1-68).

Once the end cap is pushed in and both radial o-rings are no longer visible, tighten the four hand nuts alternately, one at a time, so they seat the cap on evenly. Only tighten the screws until the end cap edge is approximately 1 to 2 mm away from the bottom tube edge of the extruded cartridge housing (see Figure 1-69). This is a normal gap because the hand nuts are pushing the entire assembly against the top face ring in order to secure the seal of the cartridge stack to the interior top sealing surface of the cartridge housing.

Ensure that o-rings do not extrude from their grooves during assembly

Compression gap is normally 1 to 2 mm wide after successful assembly

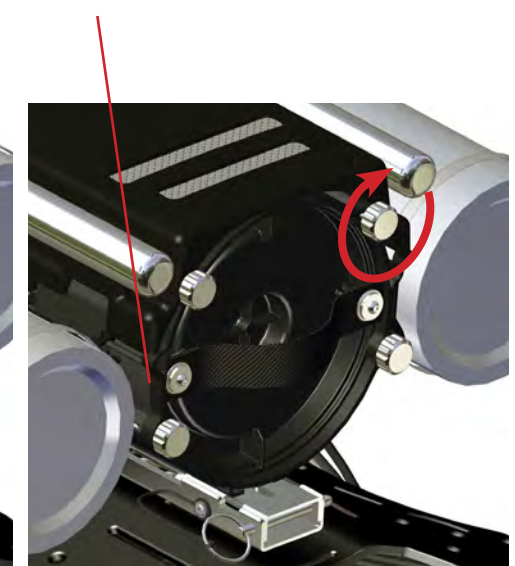
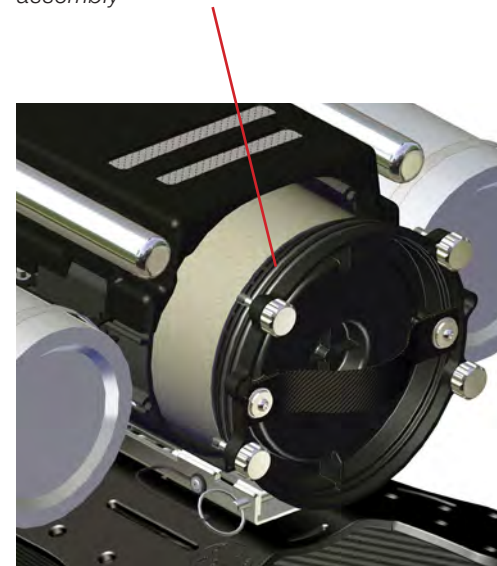


Figure 1-67. Insert the CO₂ absorbent stack.

Figure 1-68. Final insertion of end cap into cartridge housing.

Figure 1-69. Tighten the four screws.



If there is no gap between the end plate and the bottom edge of the cartridge housing it likely means that you have forgotten to install the top axial o-ring on top of the CO₂ absorbent cartridge. If this is the case, return to Step 14 (above) and install the axial o-ring then resume.

**DANGER:**

Placing weights between the counterlung and counterlung shell affects the work of breathing and hydrostatic balance. Doing so is dangerous and can cause serious injury or death.



Figure 1-70. Make sure the OPV is in the maximum closed position.

When your unit has been assembled, go through the Pre-Dive checklist located on the sticker placed on the back side of the primary display. The Pre-Dive checklist is also located in chapter 2 on page 49.

**WARNING:**

Because CO₂ exists naturally in the atmosphere, a SofnoDive 797 cartridge openly exposed to the atmosphere will expire in 24 hours. Use of the cartridge after such exposure may lead to high PCO₂ during a dive. Read the DANGER notice on page 1-14.



IMPORTANT: Do NOT leave partially- or fully-spent cartridges lying around a dive site where they may be mistaken for serviceable cartridges. Use a permanent, bold black marker and write the status of a cartridge on the side after removing it from the Poseidon SE7EN. Discard promptly and permanently if the cartridge is completely used. It is acceptable to store a partially used cartridge in a zip-type plastic bag between dives, provided there is NO potential for entry of air into the enclosure. When in doubt, leave the cartridge inside the Poseidon SE7EN and store it with the mouthpiece in the open-circuit (OC) switch position to seal the breathing loop.



Servicing

Poseidon SE7EN cylinders should be hydro-tested once every five years and visually inspected yearly. Local legislation may force more frequent testing. Regulators should be rebuilt every two years. Oxygen regulators, cylinders, and cylinder valves should be oxygen cleaned every two years. All of these services form a part of the Poseidon Tech Center biannual service. Contact your Poseidon representative for details.

We recommend that you pay close attention to the primary display, at test 55, during the pre dive check. At this test, the remaining number of weeks, until the next scheduled service date, is displayed.

Once the service date is due, the diver is prompted to acknowledge (similar to “power up procedure”) that he/she has understood that service is needed. A grace period of 4 weeks is added. The service due date can also be seen through the Rb config tool for Windows or Mac OSx.

WARNING: It is recommended practice to don the rebreather unit only after completion of the Pre-Dive Procedures described in the next Chapter. Not only is it easier to diagnose and correct many test fails when the rig is not on the diver's back; but also the risk of oxygen fire is greatest when cylinders are pressurized (which is usually done during the Pre-Dive Procedures).



Figure 1-71.

Ready for Pre-Dive tests. As configured in this photo, the Poseidon SE7EN shows the optional Platform backpack installed, but not the optional buoyancy compensator wing, which is mounted behind the counterlungs.



Chapter 2 - Pre-dive procedures

The Poseidon SE7EN is a compact and very powerful life-support system that offers an unprecedented new experience in recreational or technical diving. But it is also a complex assembly of high technology that includes sensors, actuators, computers, and software that need to operate reliably in an underwater environment, for the important purpose of keeping a diver alive and healthy. For the same reasons that good pilots use pre-flight checklists to ensure their flying machine has a high probability of successful take-off, flight, and landing; so does the rebreather diver need to formalize the process leading up to a dive. The SE7EN design team has gone to extraordinary measures to automate the pre-dive procedure and the operation of the rig during a dive. This chapter explains the pre-dive test procedures, including manual actions that are required by the user, and how to interpret the results of the automated tests, should any of them fail to complete successfully.



DANGER:

Failure to properly and completely conduct the Pre-Dive tests and to ensure that the rig is operating properly could lead to permanent injury or death. Do NOT skip the Pre-Dive Procedure. Your life depends on it.

Initial Pre-dive procedures

Gas supply cylinders

Before the dive, make sure there is enough diluent (air) and oxygen to carry out the dive you plan to do. The EU version of the Poseidon SE7EN comes with a 3-liter / 183-cubic inch aluminum diluent (air) cylinder (with black valve knob) with a rated fill pressure of 204 bar / 2958 psi. Filled to its maximum allowed working pressure, it holds 612 liter / 21.6 cubic feet of air. Because this cylinder is your open-circuit (OC) bailout gas in the event of an emergency,

Poseidon strongly recommends that this cylinder be full at the start of each dive. The included oxygen cylinder (white valve knob) has the same capacity and pressure rating as the diluent cylinder, but the recommended maximum filling pressure of oxygen is limited to 135 bar / 2000 psi for reasons of fire safety.

Attach both the diluent and oxygen cylinders using the procedures described in Chapter 1. Do not turn the cylinders valves on initially, as this will result in wasted gas during certain portions of the pre-dive tests. As described below, the cylinders should be turned on when the pre-dive checks reach Test number 44 and 45. The pre-dive tests will fail if the pressure in the diluent cylinder is less than 51 bar / 739psi, or the oxygen cylinder is less than 34 bar / 493 psi. Similarly, if starting a dive with only a marginal amount of gas above these minimum safety limits, these gas pressure limits will be reached soon after the start of the dive, leading to an unsatisfying diving experience.

CO₂ Absorbent Cartridge

Follow the procedures described in Chapter 1 for installation of a new SofnoDive® 797 CO₂ absorbent cartridge. When conducting a repetitive dive, it's critical to keep track of the hours of personal use for the cartridge once it is installed. The absorbent cartridge must be changed whenever the oxygen cylinder is re-filled. While many people experience a strong reaction to CO₂ buildup (as would result from diving with a depleted or missing cartridge) in the form of un-naturally rapid breathing rate, disorientation and the onset of a strong headache, some people do not experience them. Do not risk CO₂ poisoning! Change the cartridge every three hours of use or whenever the oxygen cylinder is recharged, whichever comes first.

**WARNING:**

Always replace the CO₂ Absorbent cartridge with a new, un-used absorbent cartridge whenever the oxygen cylinder is re-filled. This will minimize the risk of CO₂ poisoning!

Intact Breathing Loop Verification

Inspect all breathing-hose connections to ensure that they are properly attached. The attachment nuts should be hand tight and the nuts should be screwed down flush against the receiver manifolds in all 8 locations (two at the top of the gas processor; four at the shoulder ports; and two at the mouthpiece). Also at this time, make sure the right counterlung dump valve is fully closed (turned all the way clockwise). This is important for the pre-dive routine that automatically follows power-up.

Negative-Pressure Loop Test

Before powering-up the electronics, it is important to check the integrity of the breathing loop. A positive-pressure loop test is conducted later on, as part of the normal power-up and automated pre-dive test procedure. However, it is possible that some leaks in the breathing loop will fail only when the external ambient pressure exceeds the pressure inside the breathing loop (and thus will not be detected during a positive-pressure loop test). For this reason, it is important to conduct a manually negative-pressure loop test before starting a dive.

To conduct a manual negative-pressure loop test, first secure the exhalation counterlung overpressure checkvalve by tightening it inward to its full extent using a clockwise rotation (when viewed standing in front of the valve and looking at the valve). Place the mouthpiece switch lever to closed-circuit (CC) position and inhale any residual gas within the breathing loop, exhaling it through the nose to remove it from the breathing loop. Repeat this procedure several times until you have pulled as strong a vacuum on the breathing loop as you can, and then quickly switch the mouthpiece to OC position to hold the vacuum inside the breathing loop. The breathing hoses will contract until no more breathing gas can be pulled from the loop.

With the mouthpiece in the OC position, observe over a period of a minute or two whether the breathing hoses expand from their contracted state, and the counterlungs show signs of relaxing or inflating slightly. If they do, then there is a leak somewhere in the breathing loop. This could be caused by any number of reasons including but not limited to any of the following:

- Improper hose connection (hose not connected or incompletely connected)
- Missing or failed o-ring in a hose connection or a Shoulder Port connection
- Tear in a counterlung or hose
- Failed overpressure checkvalve
- CO₂ cartridge lid not in place; or o-rings damaged or missing
- Mouthpiece o-rings damaged or missing

**IMPORTANT:**

The functionality of a fully closed-circuit rebreather depends upon an air-tight breathing loop. Do NOT dive the rig until it passes the negative loop pressure test.



Electronics Power-Up

Insert the battery following the procedures described in Chapter 1, which will automatically power-up the electronics. If the battery is already inserted, the electronics can be powered-up by connecting the wet switch on the back of the display with a pair of wet fingers, as shown in Figure 2-1.

What happens next depends on how the system is initially powered up. If it is powered-up by touching the wet-switch (Figure 2-1), then the first screen displayed shows the pressure in each cylinder, current battery state of charge and installed firmware version number and the Poseidon SE7EN serial number (Figure 2-2). The firmware version number is shown in large digits on the left and right side of the display screen to identify firmware version (left) and patch number (right). Because the SE7EN is designed to accept firmware updates, knowing the specific version number of the firmware is extremely important when diagnosing problems. In the lower right corner the remaining weeks until required service is displayed. The serial number of the rebreather unit is displayed in the lower-left corner of the screen. The serial number is represented in “hexadecimal”; each digit can be either a numeral (0-9), or one of six letters (A-F). Letters are represented as upper-case A,C,E, and F, and lower-case b and d:

A b C d E F

Wet switch contacts



Figure 2-1.
Connect the wet switch on the back of the Primary Display for Power-Up.



Figure 2-2. Initial displays during the first five seconds of Power-up, showing firmware version and serial number.



Figure 2-3. When the top and bottom segments on the display starts to blink, re-connect the wet-switches.

The system waits for the diver to perform a power-up confirmation procedure before proceeding. There are two steps to this procedure. First, the diver must ensure that the wet-switch contacts on the back of the Primary Display are not connected to each other. In most cases, this is accomplished by simply releasing the fingers from the wet-switch contacts. In very wet conditions, it may be necessary to blow off excess water from the back of the Primary Display. If they are connected, the right side of the display will flash an alternating “checker-board” pattern (every other segment of the oxygen pressure bar graph) indicating that the contacts need to be dried. After the wet-switch contacts have been dry for five consecutive seconds, the top and bottom segments on the right side of the screen begin to flash (Figure 2-3). This flashing signals the diver to again connect the two wet-switch contacts (either with fingers, water, or a metal object) for a period of about eight seconds (as indicated by the bar graph on the right side of the screen increasing from top to bottom). The normal power-up procedure consists of the following three steps:

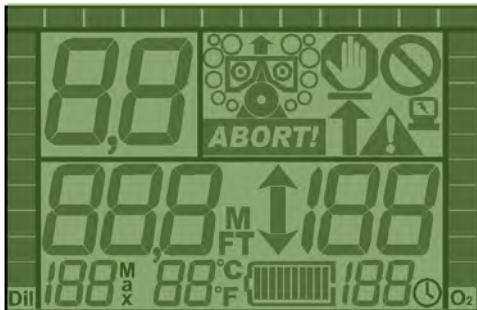
- Connect the wet-switch contacts momentarily until the initial screen appears
- Release the contacts for 5 seconds, until the two segments flash on the right side of the screen
- Connect the wet-switch contacts a second time and hold continuously for 8 seconds.

The ascent-rate bar graph across the top of the screen serves as a progress bar, indicating the amount of time remaining for the diver to complete the power-up confirmation routine (about 30 seconds). After completing the power-up confirmation procedure, all of the segments in the Primary Display will display momentarily (Figure 2-4). It's important for the user to note whether any segments are missing; and if so, not to attempt to dive the unit until it has been repaired at an authorized service center. After displaying all segments, the system proceeds to the initial start up tests.



If the system is powered-up by inserting the battery, the system continues directly to the “all-segments” screen (Figure 2-4), without the need to complete the power-up confirmation routine.

The Poseidon SE7EN electronics system conducts 55 automated and semi-automated tests during the pre-dive routine. This procedure verifies a wide variety of parameters, and takes about 3 minutes to complete. A full description of all of the tests is included in Appendix 1 of this Manual, but a general description – including tests that require intervention – is included here.



Although there are 55 tests, the display only shows 36 of them because several test numbers are reserved for future tests. Note that if the depth is greater than zero, the system automatically shifts into Dive Mode, and alerts the diver to abort the dive due to a failure to complete the pre-dive routine.

Figure 2-4. The Primary Display showing all LCD elements.

DANGER:

Do not attempt to breathe on the Poseidon SE7EN during the automated pre-dive routine. Oxygen control is disabled during portions of this routine, so doing so involves a risk of hypoxia. Do not attempt to conduct a dive until the system has successfully completed the pre-dive routine.

Power-up self test (test 1 - 38)

The first series of tests (numbers 1–38) are referred to as Power-Up Self-Tests (or PSTs). They are internal checks on the functionality of all of the various sensors, computers, actuators, and alarm systems in the Poseidon SE7EN. You will see and hear the rig as it tests the HUD light and vibrator, and the battery lights and speaker systems. Similarly, you may also hear the rig opening and closing some of the gas control valves. A very brief summary of these PSTs is as follows:

- Test 1: Confirms the main data logger is functional
- Tests 2–9: verify the ROM, RAM and EEPROM function in all four processors

- Test 14: Confirms the battery data logger is functional
- Test 15: Confirms the firmware version is consistent across all four processors
- Test 16: Confirms the power consumption calculations are functioning properly
- Tests 17–20: Confirm the power-draw of the backlight, solenoid valves, and alarms are correct
- Test 22: Vibrator current test
- Tests 24-27: Solenoid current test
- Test 29: Speaker current test
- Tests 30-31: Cylinder HP sensor validation
- Tests 34-35: PO₂ sensor validation HW test
- Test 38: Depth/temperature sensor validation

Test numbers 1–16 are conducted with the backlight off, allowing more precise measurement of the power consumption of individual components, such as the various alarms and solenoid valves. Test 17 checks the power consumption of the backlight (Figure 2-5); and the backlight remains on for the remainder of the pre-dive tests. The test number is displayed on the left side of the screen, preceded by a lower-case “t” (as shown in Figure 2-5). While the test is running, a “spinning wheel” is displayed on the right side of the display, where the remaining dive time is normally displayed. This “spinning wheel” is represented by a “0” character in the right-most position, missing one of the segments. The missing segment rotates positions around the “0” in a clockwise direction. Different tests require different amounts of time to complete; some require less than one second, others require 4–12 seconds to complete. Certain tests that involve some action by the diver allow for up to 2 minutes to complete, if necessary.



Figure 2-5. Test 17 (Backlight Power consumption), displaying test number on the left and the “spinning wheel” on the right.

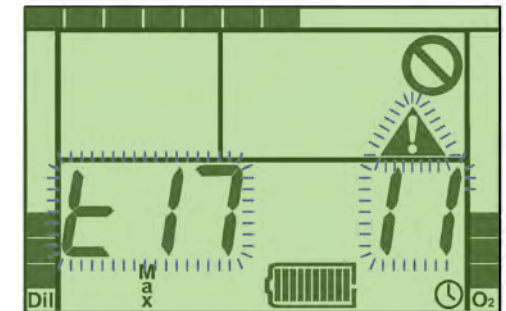


Figure 2-6. Test 17 failure, with flashing test number and error code.



Two things are worth noting in Figure 2-5. First, the bar graph along the top of the LCD screen is a progress bar, indicating how much time remains before the PST is complete, or how much time is left for the diver to complete some required action. Second, the circle with the diagonal line through it in the upper-right corner of the screen is the “Do Not Dive” symbol, which is displayed throughout the entire pre-dive process. As long as this symbol is displayed, the dive should not be started.

If a test fails, the routine is halted at the failed test, and the value displayed on the right side of the screen changes from a countdown timer to an error code (see Figure 2-6). Both values (the test number and the error code). If the wet-switch is connected (i.e., wet), then the rig will not power-down, and the system will inject excessive oxygen intermittently, in case a diver is breathing on the loop.

When one of the PSTs fails, consult Appendix 1 to understand further what the failed test means. In most cases, the first thing to try is to run the automatic pre-dive routine again by activating the wet switch on the back of the Primary Display. If the same test fails again with the same error code, wait for the electronics to power-down, then eject and re-seat the battery (see Chapter 1). If the automatic pre-dive routine persistently fails any of these tests, contact a Poseidon Tech Center for assistance. In general, repeated failure of any one of these automated tests indicates a problem with the Poseidon SE7EN that will not be serviceable by the user.



DANGER:

Do not attempt to conduct a dive until the system has successfully completed all of the pre-dive tests. Diving in spite of a failed pre-dive test is extremely dangerous, and could lead to serious injury or death.

Pre-Dive Tests

Once the PST tests have completed the dive manager will send the SE7EN into Pre-Dive mode. A very brief summary of these pre dive tests is as follows:

- Test 39: Mouthpiece CC test
- Test 40: Decompression status verification
- Test 41: Scrubber installed confirmation
- Test 43: Mouthpiece OC test
- Tests 44-45: Sufficient oxygen and diluent to go diving test
- Test 48: Sufficient battery power to go diving test
- Test 49: Positive pressure loop test (PPLT)
- Test 50: Mouthpiece CC test
- Test 53: O2 calibration test
- Test 54: Open Circuit regulator test
- Test 55: Service interval test

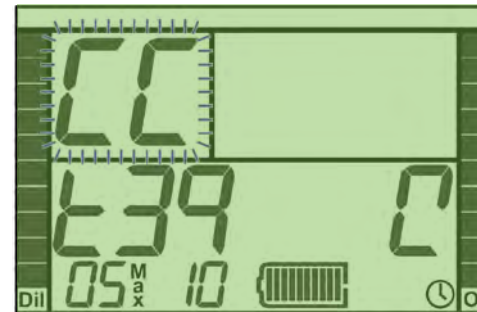


Figure 2-6B. Introduce test 39.

Closed Circuit mouthpiece position (test 39)

Test 39 (mouthpiece CC position test) is automatically passed provided the mouthpiece was left in the CC position following the previous steps. If, for some reason, the mouthpiece is not in the CC position when Test 39 appears on the screen, the mouthpiece vibrator will activate along with the HUD and battery LEDs and audio alarm with a high frequency tone. The letters “CC” will appear in the upper-left corner of the LCD screen and will flash until the mouthpiece switch is placed in the CC position (Figure 2-6B). The system allows the diver up to two minutes to make this switch. The “Closed-Circuit” icon will continue to display on the LCD until Test 39, when the mouthpiece needs to be switched to the open-circuit (CC) position.

If the mouthpiece appears to be in the closed-circuit position, but Test 39 does not pass, then make sure that the mouthpiece switch is fully in the CC position. If the test still will not pass, then make sure the HUD is positioned correctly on the mouthpiece, and is not twisted or otherwise moved from its proper position. If no amount of repositioning of the mouthpiece lever or HUD allows the system to pass Test 39, then contact an authorized Poseidon Service Center.



Tissue tension (test 40)

As discussed in Chapter 1, the Poseidon SE7EN stores decompression data in two places: the battery, and the main backpack computer. This allows a diver to switch to a spare battery while maintaining decompression in the rebreather unit, or switch rebreather units and transfer the active decompression data with the battery.

Test 40 (Tissue Tension Test) compares the stored decompression information in both the battery and in the main backpack computer. If the two decompression states do not exactly match on a compartment-for-compartment level test 40 will fail soft. Failure of this test is a notification to the diver that the system has detected this discrepancy between the two sets of decompression data. This will be displayed to the diver by that 'dECO rESET' scrolls in the PO₂ field or any other hard failure by a failure code.

IMPORTANT:

It is always best to make sure that the decompression data is consistent between the battery and the rebreather. Confirming a deco reset in the pre-dive routine following a soft failure of Test 40 will likely lead to reduced allowable dive time on the next dive (depending on the nature of the data discrepancy).

If the battery switch is intentional the diver can confirm this by the wet switch wet/dry sequence, the system will resolve the decompression difference by selecting the most conservative value for each compartment of the decompression algorithm. If it is non-intentional re-start the pre-dive test with the correct battery installed.

Canister Good confirmation (test 41)

Test 41 requires the user to confirm by the wet switch wet/dry sequence that:

- A They have a canister installed
- B It contains sufficient unused absorbent to complete the dive.

This becomes visible on the display by that the word 'CAniStEr' is scrolled through the PO₂ field. NOTE; This test is not automatic and is intended as a reminder for the diver. By confirming test 41 the diver acknowledges that he/she has installed a canister prior to powering up the Poseidon SE7EN.

Open circuit mouthpiece position (test 43)

Test 43 (mouthpiece OC position test) is automatically passed provided the mouthpiece was left in the OC position following the previous steps. If, for some reason, the mouthpiece is not in the OC position when Test 43 appears on the screen, the mouthpiece vibrator will activate along with the HUD and battery LEDs and audio alarm. The letters "OC" will appear in the upper-left corner of the LCD screen and, along with a low frequency tone and the "Open-Circuit" icon (diver with bubbles), will flash until the mouthpiece switch is placed in the OC position (Figure 2-7). The system allows the diver up to two minutes to make this switch. The "Open-Circuit" icon will continue to display on the LCD until Test 50, when the mouthpiece needs to be switched to the closed-circuit (CC) position.

If the mouthpiece appears to be in the open-circuit position, but Test 43 does not pass, then make sure that the mouthpiece switch is fully in the OC position. If the test still will not pass, then make sure the HUD is positioned correctly on the mouthpiece, and is not twisted or otherwise moved from its proper position. If no amount of repositioning of the mouthpiece lever or HUD allows the system to pass Test 43, then contact an authorized Poseidon Service Center.



Figure 2-7.

Test 43 (Mouthpiece in OC position), displaying Open-Circuit icon to indicate that the mouthpiece must be placed in the Open-Circuit position.

IMPORTANT:

Do NOT adjust the mouthpiece position again after completing Test 43, until instructed to do so at Test 50. In order to complete Test 49 (positive pressure loop test) successfully, the mouthpiece must remain in the Open-Circuit (OC) position.



Oxygen and diluent cylinder supplies (test 44 & 45)

Tests 44 and 45 determine whether the Oxygen and Diluent cylinders, respectively, are turned on and have sufficient gas to conduct a dive. Following proper procedure, both cylinders will have been in the off position when Test 44 is reached (if not, gas will be wasted during Tests 24–27, which verify that the four solenoid valves draw the correct amount of power when held open).

Each of these two tests will allow up to two minutes to turn on each cylinder. The bottom one, two, or three segments of the respective cylinder pressure bar graphs will flash until sufficient pressure is detected (Figure 2-8). When the system detects sufficient oxygen pressure, it then waits until it detects sufficient diluent pressure. Provided the oxygen cylinder pressure is greater than 34 bar / 493 psi, and the diluent pressure is greater than 51 bar / 739 psi, the automated pre-dive check will pass, the pre-dive test routine will continue. There is no upper limit for cylinder pressures for these two tests. However, it should be noted that the high-pressure sensors themselves have an upper limit to the pressure they can correctly read. The high-pressure sensor for the oxygen cylinder is limited to 207 bar / 3097 psi, and the sensor for the diluent is limited to 300 bar / 4410 psi. Exposing either sensor to a pressure in excess of these limits may yield unpredictable results. Also, oxygen pressures in excess of about 135 bar / 2000 psi pose a substantially increased risk of fire.

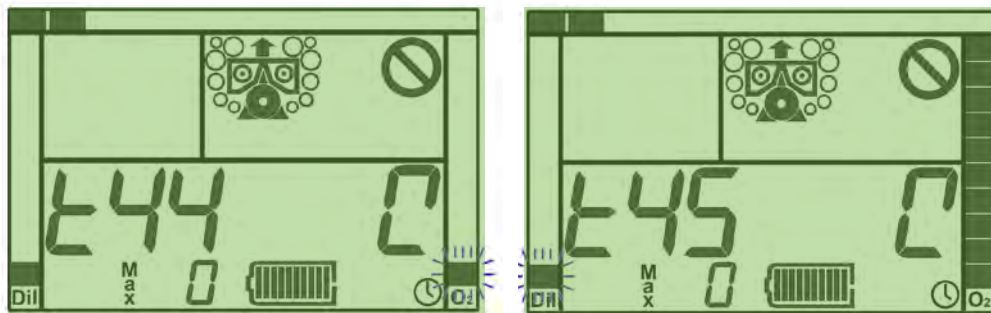


Figure 2-8. Tests 44 and 45, confirming sufficient gas supply pressures.



DANGER:

Always open the oxygen cylinder valve slowly. Rapid pressurization increases risk of fire. Opening the valve slowly reduces this risk. Carefully maintaining clean oxygen regulators, cylinders, and valves before, during, and after your dives will further reduce this risk.



WARNING:

Once both cylinders have been turned on during Tests 44 and 45, do NOT turn them off again until after completing the dive. If they are turned off before completing the pre-dive routine, then Tests 49 and/or 53 will fail. If they are turned off before the dive, the dive will be cut short. This is particularly true for the diluent cylinder, which provides breathing gas in the event of an emergency open-circuit bailout.



Battery power verification (test 48)

Immediately after passing the two gas pressure tests, the pre-dive routine tests whether there is sufficient battery power to begin a dive (Test 48). The amount of power required depends on how recently the battery was subjected to a Learn Cycle during charging (see Chapter 1). If the Learn Cycle occurred recently, then the system is able to predict the remaining battery life relatively accurately, and Test 48 will pass if the battery has at least 20% charge remaining (approximately 5–6 hours of typical dive time, or 4 hours of night-diving time). The amount of charge required to pass this test increases by 0.5% per day since the last Learn Cycle, such that after 160 days with no Learn Cycle, Test 48 will not pass.

This test will pass or fail immediately. If it fails, the only remedies are to re-charge the battery (and/or subject it to a Learn Cycle), or replace the battery with another one with greater charge (subject to decompression data discrepancies, as discussed previously for Test 40).

Positive pressure loop test (test 49)

One of the most basic pre-dive tests for any rebreather is to make sure that the breathing loop is intact and not leaking. Water entry into the breathing loop can cause serious problems if mixed with the CO₂ absorbent material in the cartridge. As discussed earlier in this Chapter, a manual negative pressure loop test can help detect leaks in the breathing loop.

Another common test is the Positive Pressure Loop Test (PPLT), which is similar to the Negative Pressure Loop Test, except the test is performed by pressurizing the breathing loop with positive pressure. Like the Negative Pressure Loop test, this test could very easily be performed manually. However, one of the features of the Poseidon SE7EN – the placement of the depth sensor within the breathing loop – allows this test to be performed automatically. And so it is – in Test 49 (Figure 2-9). Test 49 actually performs four separate tests, only one of which is the PPLT. The other three are:

- Verifies depth sensor is sensitive to small pressure changes
- Verifies that both metabolic oxygen solenoid valves are injecting gas
- Tests for leaks in all four solenoid valves.

Before reaching this test (indeed, before Powering-up the electronics), it's important to make sure that the over-pressure relief valve on the bottom of the right (exhale) counterlung is adjusted to the full clockwise position. As mentioned previously, the mouthpiece should be in the OC position, and the oxygen cylinder should be turned on. Also, the counterlungs should be no more than half inflated.

IMPORTANT:

Make sure the over-pressure relief valve on the bottom of the right (exhale) counterlung is adjusted to the maximum cracking pressure (turned all the way in the clockwise direction). Also ensure that the mouthpiece is in the OC position, that the oxygen cylinder valve is turned on, and the counterlungs are not already inflated. Otherwise, Test 49 will fail. Make sure that nothing pushes against the OPV, that will cause the T49 to fail.

The sequence of events for Test 49, and the various corresponding tests that are conducted, are as follows. First, the system injects oxygen into the breathing loop until the counterlungs are both full, but not tight (detected by the depth sensor as a slight pressure increase). This is why it's important that the counterlungs not already be fully inflated prior to starting Test 49 (which can occur if the cylinders are turned on during tests 24–27). This initial inflation is done via one of the two metabolic oxygen solenoid valves, thereby ensuring that this solenoid valve is actually injecting gas when it is supposed to.

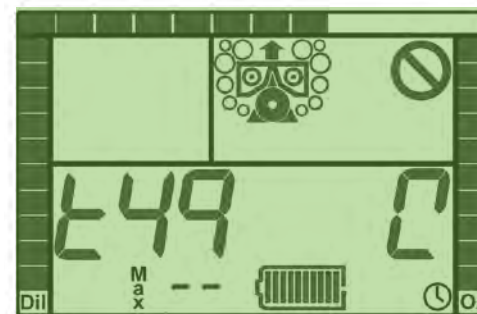


Figure 2-9.
Test 49 - Positive pressure loop test.

Once the counterlungs are fully inflated and the depth sensor detects a slight increase in pressure, the system pauses and monitors internal loop pressure for 20 seconds. If any of the four solenoid valves are leaking, the pressure inside the breathing loop will gradually rise. Assuming no increase in loop pressure is detected during this 20-second period, the second metabolic solenoid valve is used to inflate the breathing loop to a higher internal pressure. When this happens, the counterlungs will be tightly inflated, and the internal pressure should be slightly less than the cracking pressure of the over-pressure relief valve on the bottom of the right counterlung, when that valve is adjusted to its maximum cracking pressure. The system then monitors the loop pressure for the next 20 seconds to determine whether the pressure decreases, as by a leak in the breathing loop.



IMPORTANT:

While Test 49 is being conducted, be careful not to manipulate the counterlungs too much, or do anything that might affect the internal loop pressure, independently of the gas injected by the metabolic solenoid valves. The test can be performed while wearing the rebreather, as long as there is not too much motion or instability of the counterlungs. It's recommended that you don't let the mouthpiece and loop rest against the counter lungs during test 49, as this might cause the test to fail.

Closed circuit mouthpiece position (test 50)

The mouthpiece should have been left in OC position following Test 43, as indicated by the "Open-Circuit" icon on the Primary Display. At Test 50 (Figure 2-10), the icon disappears from the Display, the letters "CC" flash in the upper left corner of the LCD, the HUD vibrates, the HUD and battery LEDs flash, and the audio speaker sounds. All of this indicates that the mouthpiece should be placed in the Closed-Circuit (CC) position. As soon as the mouthpiece is in the Closed-Circuit position and is detected by the HUD, the test will pass. The system allows 2 minutes for this test to be completed, before timing out.

As with the Open-Circuit mouthpiece position (Test 43), if the mouthpiece appears to be in the closed-circuit position, but Test 50 does not pass, then make sure that the mouthpiece switch is fully in the CC position. If the test still will not pass, then make sure the HUD is positioned correctly in the mouthpiece, and is not twisted or otherwise ajar from its proper position. If no amount of repositioning of the mouthpiece lever or HUD allows the system to pass Test 50, then contact an authorized Poseidon Service Center.



Figure 2-10.
Test 50 – Closed-Circuit mouthpiece position.



IMPORTANT:

Do **NOT** adjust the mouthpiece position again after completing Test 50, until the pre-dive tests have completed. In order to complete Test 53 (oxygen sensor calibration) successfully, the mouthpiece must remain in the Closed-Circuit (CC) position.

Oxygen sensor calibration (test 53)

Test 53 (Figure 2-11) calibrates the oxygen sensors. Part of this test is to ensure that the oxygen supply is really oxygen, and that the diluent supply is what it is configured to be. The system will start by injecting pure oxygen directly on the primary oxygen sensor for 20 continuous seconds, thereby flooding the entire oxygen sensor chamber with enough oxygen to also calibrate the secondary sensor. The use of oxygen to perform Test 49 (PPLT) helps this test complete properly, because the breathing loop will have already been pre-charged with oxygen. After the calibration constants for oxygen are established, the system then injects diluent (air) via the diluent calibration solenoid valve. In doing so, this test both calibrates the sensors, and confirms that the correct gas mixtures are in the respective cylinders.



Figure 2-11.
Test 53 – Oxygen Sensor calibration.

This test is by far the most important of all the pre-dive tests, as it is determining whether the oxygen sensors are providing true values for the partial pressure of oxygen (PO_2). Failure of this test can occur for a number of reasons, all of which the user should be familiar with. Most causes relate directly to the oxygen sensors themselves – either bad or aged sensors failing the test, or the presence of condensate on the sensors from a prior dive. If Test 53 fails persistently, verify that the gas cylinders are connected to the correct regulators, and make sure they contain the correct gas mixtures. If the test continues to fail, one or both of the oxygen sensors may need replacing. When changing oxygen sensors, it's very useful to keep track of which oxygen sensor was placed in which position, by noting the individual oxygen sensor serial numbers.



Open circuit regulator function (test 54)

After completing test 53, the letters “OC” flash in the upper-left corner of the screen along with the Open-Circuit Bailout icon, indicating the need change the mouthpiece back to OC mode. When the mouthpiece is switched, the word “bREAtHE.” scrolls across the two PO₂ value digits in the upper-right corner of the screen. This prompts the diver to test the function of the open-circuit regulator. After inhaling several breaths from the regulator, the test passes.

Service interval check (test 55)

The final test (Test 55; Figure 2-12) is also the simplest. This test merely ensures that the rebreather unit does not require servicing. Each rebreather unit must be brought to a qualified Poseidon Service Center at least once every two years, to receive updates and make any necessary repairs or adjustments. When Test 55 is displayed, the number in the lower-right corner of the screen (adjacent to the small clock icon) indicates the number of weeks remaining before servicing will be required. When this value gets low, return the rebreather to an authorized Poseidon service center for maintenance. Upon passing Test 55, the pre-dive routine is complete.

Once the service date is due, the diver is prompted to acknowledge (similar to “power up procedure”) that he/she has understood that service is needed. A grace period of 4 weeks is added. The service due date can also be seen through the PC Config PC software.

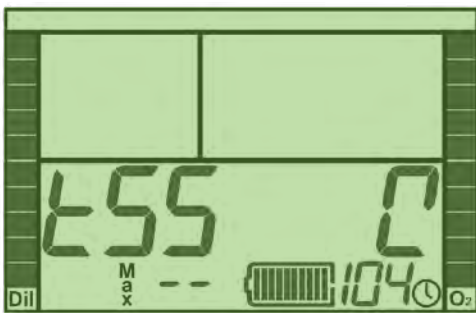


Figure 2-12.
Test 55 – Service interval check.

Pre breathe

One second or directly after pre-dive has completed, the diver will be prompted to perform a prebreathe. This is done by flashing ‘Pbr’ in the CRA field. The remaining prebreathe time appears in the depth field. When the user switches the mouthpiece to CC mode, the remaining prebreathe counter will count down from 300 seconds. If the user switches out of CC then the counter will pause. Once the counter has counted down to zero, the rig enters ready to dive mode. It will stay in this state for 30 minutes. If the dive is not started in this time, then it goes back to prebreathe mode. Prebreathe mode is not mandatory and can be terminated without penalty by starting the dive. 30 minutes after the end of a dive then the rig will once again enter

prebreathe mode. Note that during prebreathe mode, the rig will fire the diluent and oxygen solenoids for 2 seconds close to the start of each prebreathe session, if the diver is not breathing from the loop at this stage the unit may issue an alarm.

The reason for using the solenoids at this stage is that if a diver have turned off their cylinders, this will result in a big pressure drop which should will prompt the diver to turn the cylinder on. If a closed cylinder is detected during pre breathe then the requisite bar graph will flash.

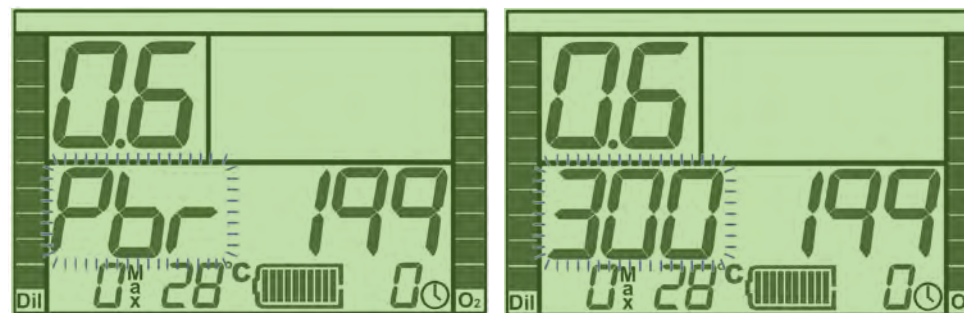


Figure 2-13. Pre breathe.

Cleared to dive

Under normal circumstances the Poseidon SE7EN will successfully complete all Pre-Dive checks in about three minutes, and a screen will appear on the display that looks like that shown in Figure 2-13, with a PO₂ value between 0.3 and 0.9 (usually the number is towards the higher end of this range because the loop is partially filled with oxygen during Tests 49 and 53), a depth of 0, a dive time of 0, and a remaining dive time clock showing 199 minutes.

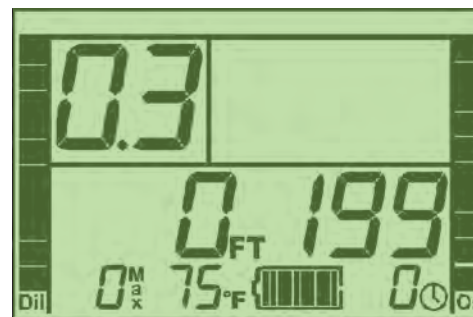


Figure 2-14. Clear-to-dive.
At this point, the pre-dive tests are completed, and the system is ready to dive.



Poseidon SE7EN Pre-dive checklist

Start up Procedure

- 1 Cylinders **OFF, CLOSE OPV, OPEN-CIRCUIT** mode.
- 2 Touch wet-switch, keep dry for 5 seconds, then **HOLD** wet-switch.
- 3 Test 44, 45: turn cylinders **ON**.
- 4 Test 50: **CLOSED-CIRCUIT**.
- 5 Test 54: **OPEN-CIRCUIT**, test bailout regulator function.

Test	Confirm and Restart
1-38,55	Needs Servicing (if persistent)
40	Use correct battery
43,50,54	Verify mouthpiece position
44,45	Turn cylinders on / Refill cylinders
48	Recharge Battery / Replace battery
49	Counterlungs half-full or less
53	Verify Oxygen Sensors

Post-Dive Procedure

- 1 Mouthpiece in **OPEN-CIRCUIT**.
- 2 Both cylinders **OFF**.
- 3 Wet-switch **DRY**.
- 4 Purge ADV.

Pre-dive checklist

Check for damage, dirt and deteriorations during assembly.

- 1 Check that the battery is charged.
- 2 Inspect electronics module, handset, cables, electric connections, HUD, pneumatics hoses and oxygen sensors.
- 3 Mount top plate on top of scrubber, check O-rings (2 O-rings).
- 4 Mount end plate in the bottom of scrubber, check O-rings and sponge (3 O-rings).
- 5 Install scrubber into cartridge housing, tighten the four screws by hand.
- 6 Attach BC and harness to cartridge housing.
- 7 Mount counterlungs.
- 8 Check valve.
- 9 Check hoses, mouthpiece, T-valves and attach.
- 10 Check pressure, analyze, and attach filled gas cylinders.
- 11 O₂ _____% _____psi/bar
Diluent _____% _____psi/bar
Helium _____% _____psi/bar
- 12 Attach electronics module, tighten the two screws by hand.
- 13 Mount the two first stages.
- 14 Attach IP diluent supply hose to mouthpiece, tighten.
- 15 Attach HUD on to mouthpiece.
- 16 Attach IP diluent supply hose to inflator.
- 17 Close OPV on right counterlung.
- 18 Negative loop pressure test.
- 19 Insert smart battery and conduct power-up self-tests (see Start up procedure).
- 20 Prebreathe. It is very important to perform a full prebreathe for a minimum of 5 minutes, while pinching your nose.

Figure 2-14. General Start up and Post-Dive Procedure.

Figure 2-15. General Pre-Dive Checklists.



Chapter 3 – Dive procedures



DANGER:

Do NOT attempt to use the Poseidon SE7EN rebreather without proper training! This Manual is NOT an adequate substitute for training from a qualified Poseidon SE7EN instructor. Failure to obtain proper training prior to using the Poseidon SE7EN could lead to serious injury or death.

Monitoring alarms

The most important responsibility of anyone diving the Poseidon SE7EN is to monitor the alarm systems. There are three separate alarm systems: the Head-Up Display (HUD; located on the mouthpiece), the battery module (located on the main electronics module, behind the diver's head), and the Primary Display. Each of these systems is intended to get the attention of the diver or the diver's companions through visual, audio, and tactile signals, and convey clear information to the diver concerning the status of the SE7EN.



DANGER:

NEVER ignore or otherwise discount any of the alarm signals on the Poseidon SE7EN. Failure to respond appropriately to any of the alarm signals could lead to serious injury or death.

HUD vibrator

Perhaps the most important alarm signal on the Poseidon SE7EN is a customized version of the patented Juergensen Marine DIVA™ vibrator system, located in the HUD mounted on the mouthpiece. There are two ways this tactile alarm may be triggered. The first (and by far the most important) alarm is a continuous pulsing vibration signal On-Off-On-Off...etc. This signal has one and only one meaning: "Change the Mouthpiece Valve position NOW!"

In most cases, this signal will be triggered in association with an open-circuit bailout situation, thereby instructing the diver to switch the mouthpiece from closed-circuit mode to open-circuit mode. Once the mouthpiece has been properly switched, the vibrator signal will stop.

Occasionally, this signal will be triggered when the system is unable to detect the position of the mouthpiece; perhaps because it is not completely set in one position or the other (open or closed). If the HUD vibrator signal continues even after switching the mouthpiece, first make sure the mouthpiece is completely switched to the new position. If the vibration continues, then switch the mouthpiece back to its original position, again making sure it is completely rotated. If the HUD vibrator signal persists, then terminate the dive immediately in open-circuit mode.

In rare cases, the vibrator is intended to prompt the diver to switch from OC position back to CC position. This will only occur when the diluent supply is low, and the loop PO₂ is known to be safe. The important thing is to adjust the mouthpiece position whenever it vibrates.

The other HUD vibrator signal consists of a short (1/2-second) "blip" that is triggered every 60 seconds whenever the RED HUD LED is flashing (see below), as an alert to view the Primary Display. Do NOT change the mouthpiece position in response to a short, singular "blip" of the HUD vibrator.



WARNING:

In the event that there is insufficient diluent supply to effect a safe ascent to the surface in open-circuit mode while the HUD vibrator is activated, then continue the ascent to the surface in closed-circuit mode.



HUD Light

The HUD incorporates a RED LED light (Figure 3-1a), designed to signal that there is a possible problem (Red). Under normal diving conditions, the GREEN LED light (Figure 3-1b) is fading in and out continuously when the unit is in closed-circuit and there is no alarm. The RED light will periodically blink to serve as a reminder to the diver to monitor the Primary Display. Whenever a problem has been detected by the system or when any of the dive parameters are not within safe limits, the HUD light will flash continuously RED (and the vibrator will “blib” every 60 seconds). In either case, the purpose of the HUD light is to alert the diver to look at the primary display for further information.



Figure 3-1a.
HUD with red LED on.



Figure 3-1b.
HUD with green LED on.

Audio alarm

One of the two alarm systems located in the battery module is the audio alarm. It emits a loud staccato tone that alternates between two frequencies as a signal to abort the dive. Whenever the audio alarm is triggered, the diver should immediately terminate the dive and commence a safe ascent to the surface, while monitoring the Primary Display. The audio alarm will continue to sound whenever the mouthpiece is not in the correct position, or when the diver fails to ascend in an abort situation.

Buddy alert light

Also contained in the battery module is the buddy alert light. This consists of two separate high-intensity red LED lights that flash whenever the HUD Light is flashing. The purpose of this alarm is to alert other nearby divers of a potential problem.

Monitoring the primary display

Most of the information concerning the status of the dive and the various system parameters is communicated to the diver via the Primary Display. It consists of a backlit liquid crystal display (LCD), with pre-printed numerals and symbols, and provides the diver with important information concerning sensor readings, system messages, decompression status, and other data during the course of the dive. It is extremely important that all Poseidon SE7EN divers understand how to read the information contained in the Primary Display, particularly concerning various alarm conditions.

Before even turning the Poseidon SE7EN electronics on, it is useful to understand the general layout of the Primary Display, and the logic behind how the information is organized. The display is arranged in six regions, each presenting different kinds of information. The most important region is the upper-right corner of the screen (1 in the illustration), which contains icons for alarm conditions. Under normal circumstances, this region should be blank. The alarm condition icons (described in more detail below) are designed to symbolically represent the nature of the problem, and most of them will flash when activated. This should be the first part of the screen that a diver should glance at when monitoring the Primary Display, as it will be immediately obvious if there are any alarm conditions, and what they are.

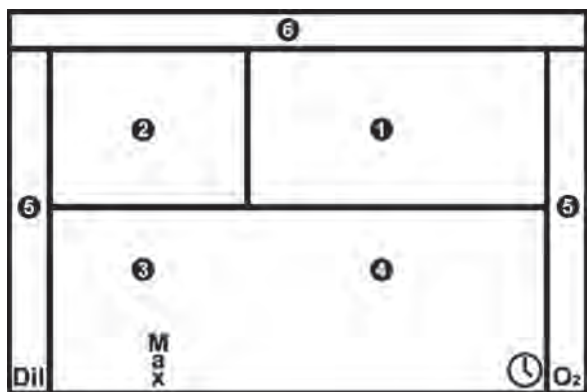


Figure 3-2. LCD display layout.

The next most important region is the upper-left part of the screen, where the current PO_2 value is displayed (2 in figure 3-2). The lower half of the screen includes basic information about depth (on the left side, 3), and time (on the right side, 4). The left and right edges of the screen (5) include bar graphs that represent the current capacity of the diluent (left side) and oxygen (right side) cylinders, as a percentage of total cylinder capacity. Finally, the top edge of the screen (6) includes a bar graph that represents the current ascent rate of the diver. When the Poseidon SE7EN electronics are started (via the wet switch, or when the battery is inserted into the unit), the LCD screen momentarily shows all elements of the display, as illustrated below. Each of these elements is described in detail below.

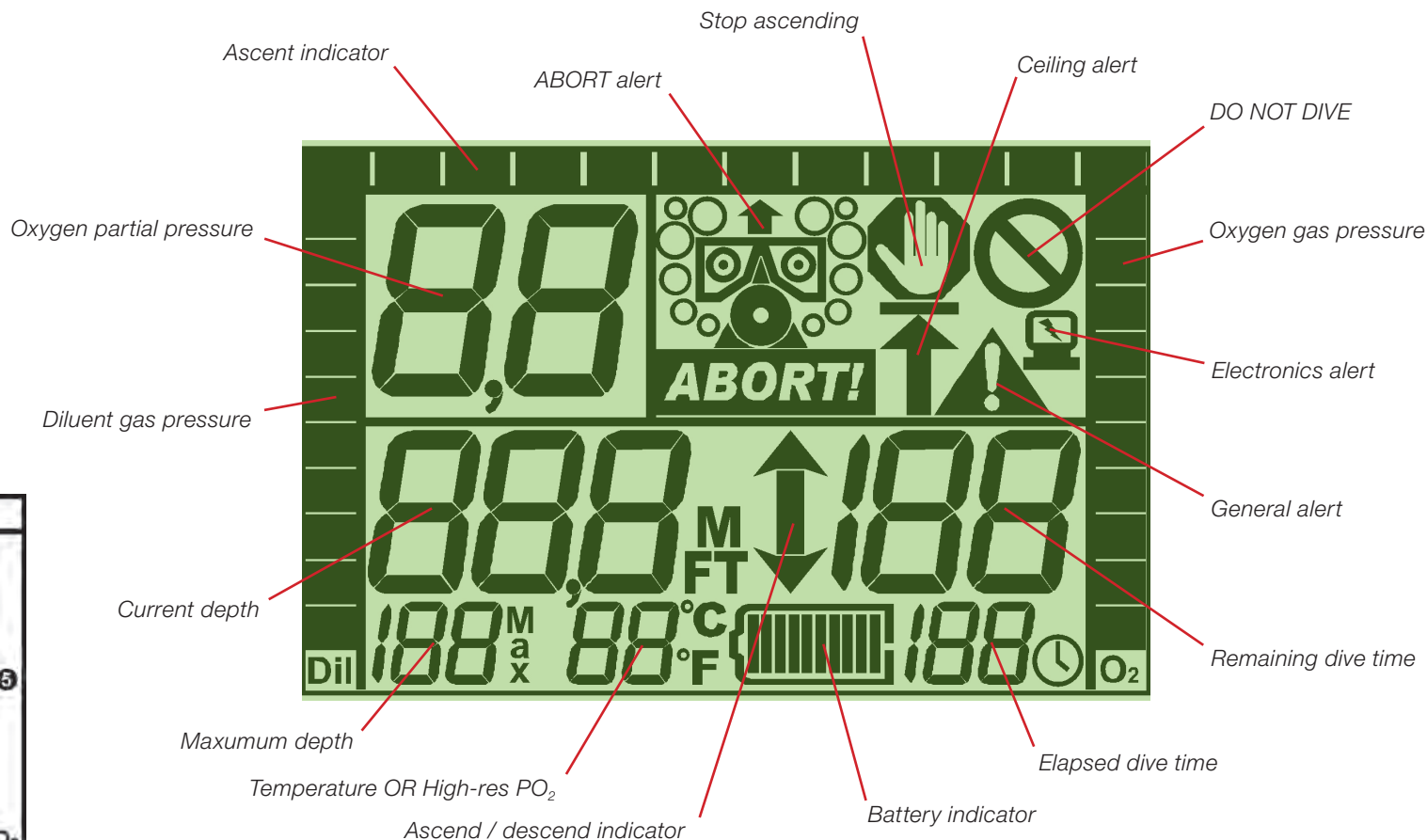


Figure 3-3. Fields on the primary display.

! DANGER:
 If the Primary Display screen is ever blank while diving the Poseidon SE7EN, immediately commence an abort to the surface in Open-Circuit mode (regardless of whether the HUD Vibrator is activated). Failure to do so could lead to serious injury or death.



Units of measure

The Poseidon SE7EN is capable of displaying parameter values in either metric or imperial units. Both screens at the top of the next page show the same information, except that the left screen shows the depth and temperature values in imperial units, and the right screen shows the values in metric units. Depth units are indicated by an "FT" or "M"; and temperature units are indicated by a °F or °C. Also, the Display can be configured to represent decimal points as a period ("."), or as a comma (","), depending on individual user preference.

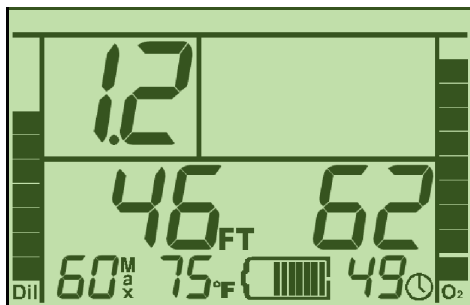


Figure 3-4. Imperial units.

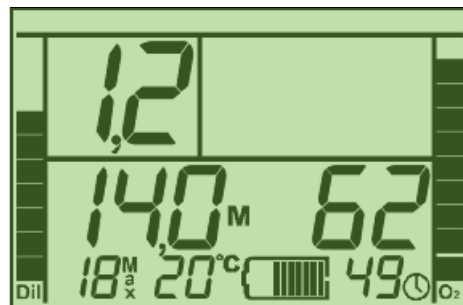


Figure 3-5. Metric units.

What follows is a more detailed description of each of the LCD screen elements, and what they mean. It is important that all Poseidon SE7EN divers become familiar with these symbols and values, what they mean, and how to respond when they are not displaying appropriate values (or are flashing).

Alarm signal area

As mentioned previously, the upper-right corner of the screen is the alarm signal area, and under normal circumstances it should be completely blank. It was designed this way so that a quick glance at the screen would be all that is necessary to know whether any alarm conditions are active. A blank field in the upper-right corner of the screen means all systems are functioning properly, and all parameters are working correctly. In most cases, the signals will flash when activated, further drawing attention.

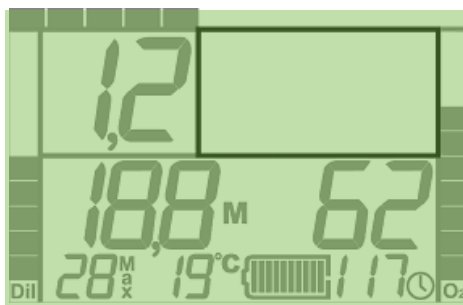


Figure 3-6. Abort! and open circuit alerts.

Abort! and open circuit alerts

The most important alert symbols on the screen are also the largest: The ABORT! and Open-Circuit symbols. The ABORT! symbol is a large word **ABORT!** in inverted font color. Whenever this is displayed, the dive should be immediately terminated. There are two possible abort scenarios, either OC or CC. If accompanied by the Open-Circuit Alert icon (image of a diver's mask, second-stage regulator, a series of bubbles on either side of the diver's face, and a small up-arrow above the diver's mask), the diver must immediately terminate the dive and commence a safe ascent to the surface in open-circuit mode. If the Abort icon is displayed alone without the image of the divers mask the diver must immediately terminate the dive and commence a safe ascent to the surface on closed circuit.

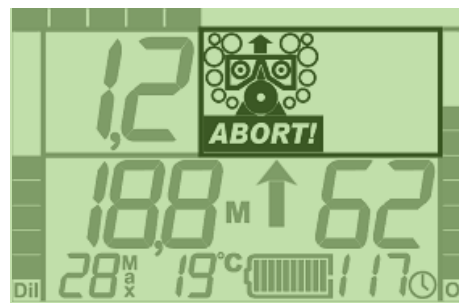


Figure 3-7. Alarm signal area.

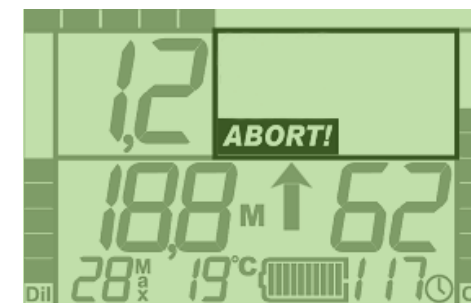


Figure 3-7b. Alarm signal area.

DO NOT DIVE alert

In the upper-right corner of the Alarm Signal Area is a circle with a diagonal slash through it. This symbol is the "DO NOT DIVE" Alert, and it indicates that the system is not currently ready to be used for diving. This symbol will always be activated when the Poseidon SE7EN electronics are first turned on, while the pre-dive routine is being conducted.

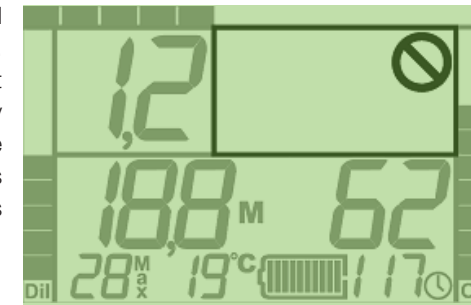


Figure 3-8. DO NOT DIVE alert.



General alert

The triangle symbol with an exclamation point, located in the bottom-right corner of the Alarm Signal Area will flash in synchrony with any other parameter(s) on the screen that is/are inappropriate or out of acceptable range. This signal is intended to catch the diver's attention, and prompt the diver to scan the other elements on the screen to see which value(s) is/are also flashing. As long as one of the other displayed values on the Primary Display is flashing, the General Alert symbol will also flash.

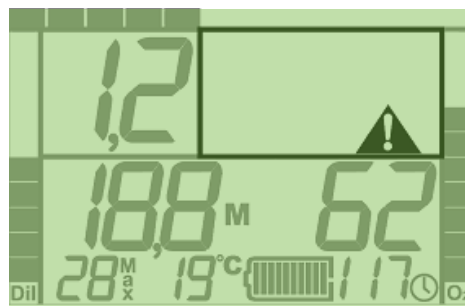


Figure 3-9. General alert.

Electronics alert

Located between the DO NOT DIVE symbol and the General Alert symbol is a small icon that resembles a personal computer with a lightning bolt on the screen. This symbol indicates that a problem has been detected with the electronics, such as a network failure, an unexpected system re-boot, or other detected errors. The specific cause is recorded in the logged data. If the Electronics alert symbol is shown during a dive or after the completion of a Pre Dive test, ABORT the dive or DO NOT DIVE.

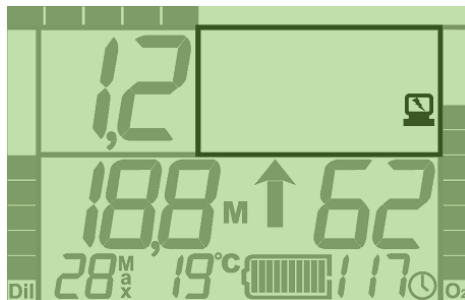


Figure 3-10. Electronics alert.

Decompression ceiling alert

In the lower center of the Alarm Signal Area is the Decompression Ceiling Alert. This symbol will flash when the diver has incurred a decompression obligation. With the 40m recreational battery installed the Poseidon SE7EN is not intended for decompression diving, so the dive should be terminated whenever this icon is displayed. The diver should ascend towards the surface at a slow and controlled rate, watching the Primary Display for the Stop Alert and additional decompression information (see below).

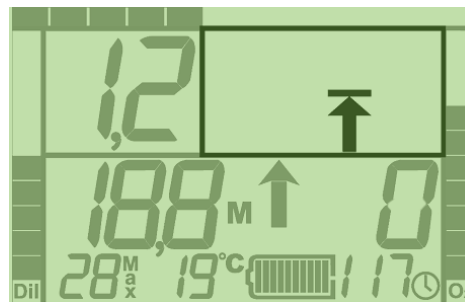


Figure 3-11. Decompression ceiling alert.

Stop alert

The octagonal shape with a flat palm in the center, located between the ABORT symbol and the DO NOT DIVE symbol in the center of the upper half of the Alarm Signal Area, is displayed in one of two circumstances: either the diver is ascending too rapidly, or the diver has reached the decompression stop depth ("ceiling"). In either case, the appropriate response is to immediately stop ascending, and the diver should maintain the current depth until the symbol disappears.

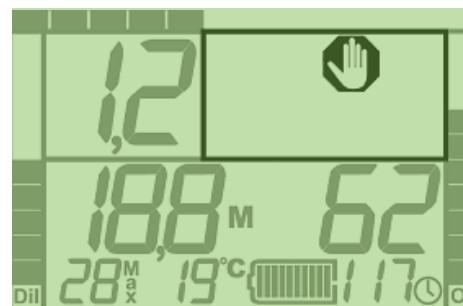


Figure 3-12. Stop alert.



IMPORTANT:

It is the sole responsibility of each and every Poseidon SE7EN diver to understand all of the alarm systems and conditions, monitor them throughout every dive, and respond appropriately to any alert status.

PO₂ value

The oxygen partial pressure (PO₂) in the breathing loop is displayed prominently in the upper left corner of the Primary Display. This is perhaps the most important number on the entire screen, as maintaining an appropriate oxygen partial pressure in the breathing gas is critical to ensure safe diving. If the value departs substantially from the current PO₂ setpoint, the value will flash. If the value becomes dangerously high or dangerously low, the diver will be prompted to switch to open-circuit mode and terminate the dive. An absolute low PO₂ alarm will be triggered at 0.30 Bar.

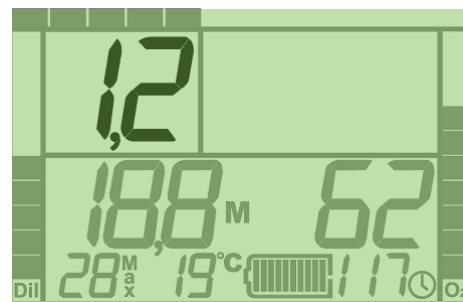


Figure 3-13. PO₂ value.



PO₂ setpoint

Every few seconds, the PO₂ value will briefly (less than one second) switch to show the current PO₂ Setpoint. Normally, this value will be the same as the current PO₂, because the system will normally maintain the correct PO₂ (i.e., Setpoint PO₂). In some cases, however, the value may be slightly different. In any case, the PO₂ Setpoint value can be distinguished from the current PO₂ value by the size of the first digit (either “1” or “0”). When the displayed value is the PO₂ Setpoint, the first digit (to the left of the decimal) is shown using only the upper half of the numeric value.

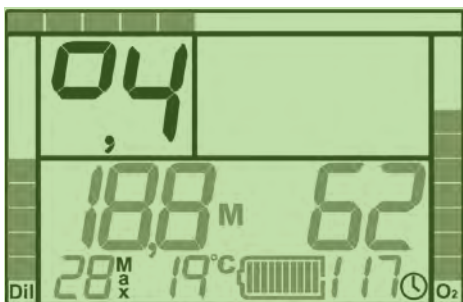


Figure 3-14. PO₂ Set point value

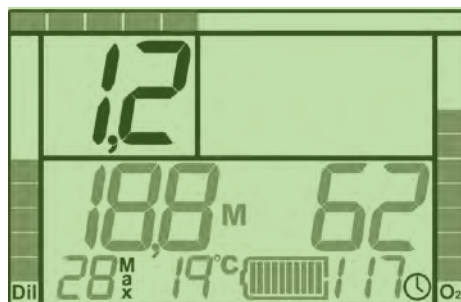


Figure 3-15. Real PO₂ value.

The Poseidon SE7EN incorporates a dynamic PO₂ setpoint value, which means the setpoint changes depending on depth and decompression status. Two setpoint settings control what the range of setpoint values will be during the dive. A “surface” setpoint value (default/minimum 0.5 bar / atm) establishes the PO₂ setpoint when at the surface, and a “deep” setpoint (default 1.2 bar / atm) establishes the PO₂ setpoint when at a depth greater than of 15 m / 50 feet. Between these two depths, the setpoint changes in small increments between these two values. Thus, when the depth is less than 15 m / 50 ft, the setpoint will be some value between the “surface” setpoint and the “deep” setpoint, proportional (but not linearly so) to current depth. This dynamic setpoint method helps prevent excessive PO₂ “spikes” during descent, and excessive oxygen wastage during ascents from no-decompression dives.

There are two exceptions to the dynamic setpoint method described above. The first is that whenever a decompression ceiling exists, the setpoint will not drop below 0.9 bar / atm during ascent. The second involves the Hyperoxic Linearity test on the primary oxygen sensor, as described below.

Hyperoxic linearity test

One of the important new features in the Poseidon SE7EN is the Hyperoxic Linearity test. When the oxygen sensors are calibrated during the pre-dive routine (Chapter 2), the linearity of the oxygen sensor response is only validated up to a PO₂ value of 1.0 bar / atm (i.e., 100% oxygen at sea level). Most rebreathers assume that the sensor response remains linear at higher values (operational PO₂ setpoint values often exceed 1.0 bar / atm). However, in certain situations the sensors may not be linear above 1.0 bar / atm, which can lead to a very dangerous situation. For example, if the sensor is not capable of responding to PO₂ values greater than 1.2 bar / atm, and the PO₂ setpoint is 1.2 bar / atm, the control system may flood the breathing loop with dangerously high levels of oxygen while attempting to achieve a PO₂ value that the sensors are not capable of registering.

To overcome this problem, the Poseidon SE7EN performs a test on the primary oxygen sensor the first time a depth of 6 m / 20 ft is achieved. The test injects a short burst of oxygen directly onto the primary sensor to ensure the sensor response is linear up to a PO₂ value of 1.6 bar / atm. If the test passes, then the dynamic setpoint performs as described previously (i.e., using up to the “deep” PO₂ setpoint value when the depth exceeds 15 m / 50 ft.). However, if the Hyperoxic Linearity test fails, then the maximum allowable setpoint is set at 1.0 bar / atm. The reason for this is that the primary oxygen sensor is known to be linear to at least 1.0 bar / atm, based on the successful completion of the pre-dive calibration process. Thus, as long as the PO₂ does not exceed 1.0 bar / atm, the response value is known with confidence.

Using the default “surface” and “deep” PO₂ setpoint values, a setpoint of 1.0 is not achieved until the depth exceeds 6 m / 20 ft, so there is no consequence on dives shallower than this depth, even if the Hyperoxic Linearity test is never performed. Until the Hyperoxic Linearity test passes successfully, the PO₂ setpoint value will be limited to 1.0 bar / atm.



Oxygen sensor confidence

One of the most sophisticated features of the Poseidon SE7EN is the automatic oxygen sensor validation system, which monitors the reliability of the oxygen sensors throughout the dive. Through a series of algorithms, the system assigns a confidence rating to current oxygen sensor readings, based on several factors including primary sensor validation, dynamic response of sensors, and a comparison between primary and secondary sensor values. If, for some reason, the system loses confidence in the oxygen sensors, then every few seconds an error will be displayed momentarily on the Primary Display where the PO₂ value is normally displayed – in a manner similar to how the PO₂ Setpoint is displayed. If there is no confidence in the oxygen sensors, then “C0” is displayed. Other levels of confidence based on various factors include “C1”, “C2”, and “C3”. The last of these (“C3”) is normal, and means the system has high confidence in the sensors. The other levels (“C0”, “C1” & “C2”) generate errors, and will trigger appropriate alarms.

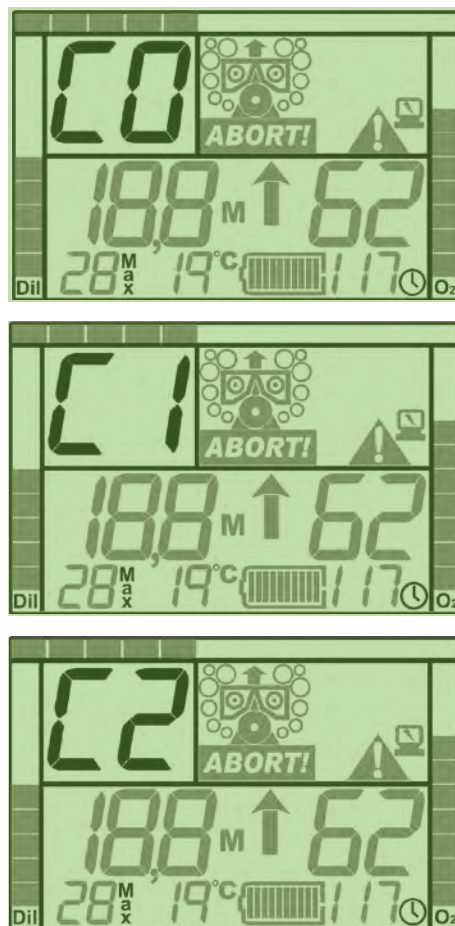


Figure 3-16. Oxygen sensor confidence alerts: C0, C1, C2.

Mouthpiece position

The area where the PO₂ is normally displayed serves one additional function: to communicate the current position of the Mouthpiece. As with the PO₂ Setpoint and Oxygen Sensor Confidence warnings, this information is displayed briefly every few seconds. There are four possible values, which are:

- “cc” in the upper half of the PO₂ display area (mouthpiece is in the Closed Circuit position)
- “oc” in the lower half (mouthpiece is in the Open-Circuit position)

- “nc” with “n” in the lower half, and “c” in the upper half (mouthpiece is not fully in either position), or “un” with “u” in the upper half, and “n” in the lower half (mouthpiece position is unknown).

The difference between “nc” (“no circuit”) and “un” (“unknown”) depends on whether the mouthpiece is reporting that neither closed-circuit nor open-circuit is currently established (“no circuit”), or whether the mouthpiece is not reporting any position information at all (“unknown”). In the former case, the problem is likely due to the mouthpiece switch being in the wrong position, one or both of the magnets inside the mouthpiece being damaged or corrupted, or a problem with the magnet sensors in the HUD. The latter case would arise if the HUD was unable to communicate reliably with the Display. In any case, if the displayed value of the mouthpiece position is not what it should be, first check the actual position of the mouthpiece, make sure it is firmly and completely in one position or the other, and attempt to wiggle the HUD slightly.

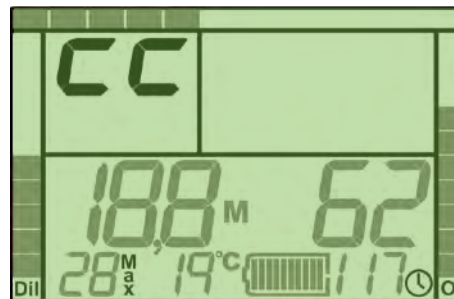


Figure 3-17. Closed Circuit mode.

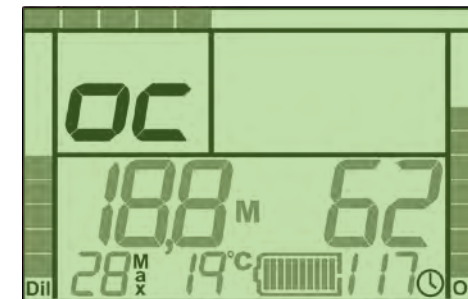


Figure 3-18. Open Circuit mode.

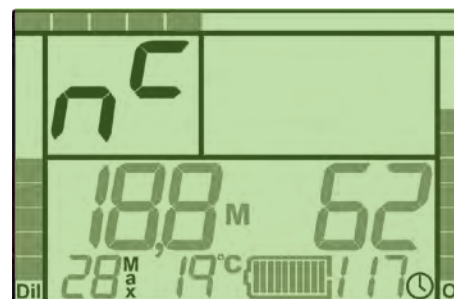


Figure 3-19. No Circuit mode.

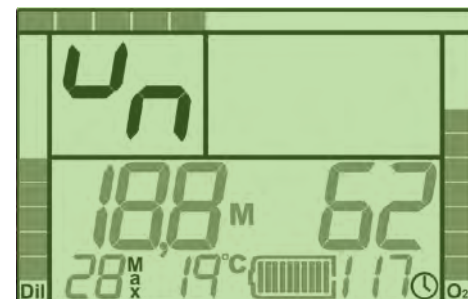


Figure 3-20. Mouthpiece position Unknown.



IMPORTANT:

When the mouthpiece is in the “cc” position, the PO₂ control system maintains the loop PO₂ at whatever the current PO₂ setpoint is, and decompression calculations are based on the current PO₂ value. When the mouthpiece is in the “oc” position, the PO₂ control system maintains the loop PO₂ at whatever the PO₂ of the current diluent is at the current depth, and decompression calculations are based on the diver breathing the current diluent in open-circuit mode. When the mouthpiece is in the “nc” or “uc” positions, the PO₂ control system maintains the loop PO₂ at whatever the current PO₂ setpoint is, and decompression calculations are based on the diver breathing the current diluent in open-circuit mode.

Current depth

Immediately beneath the PO₂ value, on the left side of the screen, is the current depth reading. This value is shown in either metric or imperial units, depending on which mode is selected (as indicated by the “FT” or “M” symbol to the right of the current depth value). In metric mode, the value is shown to the nearest tenth (0.1) of a meter; when in imperial mode, the value is shown to the nearest foot. This value will flash whenever the maximum rated depth (40 m) is exceeded.

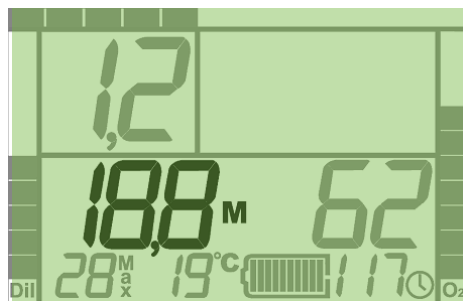


Figure 3-21. Current depth.

Maximum depth / Ceiling

In most circumstances, the maximum depth achieved during the dive is displayed below the current depth, in the lower-left corner of the Primary Display, to the left of the word “Max”. However, in the event that a diver has inadvertently incurred a decompression obligation, this value changes to represent the current decompression “ceiling” (shallowest depth to which it is safe to ascend). When displaying the ceiling value, the value briefly changes to “cL” (to indicate “ceiling”) every few seconds (as shown below).

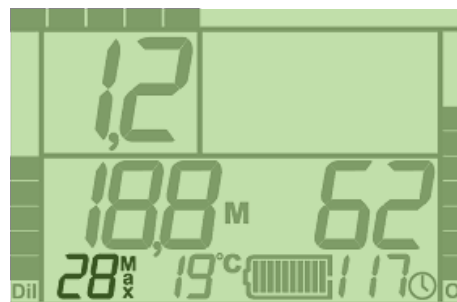


Figure 3-22. Maximum depth ceiling.

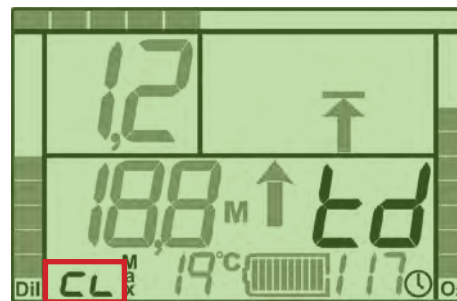


Figure 3-23. Display indicating “ceiling” & Total decompression.

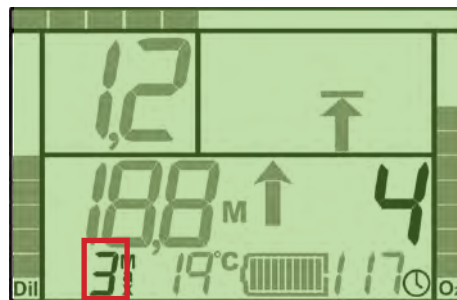


Figure 3-24. Depth to which it is safe to ascend & total decompression time.



Remaining dive time (RDT)

The Remaining Dive Time (RDT) value, shown as the large number on the right side of the Primary Display, is based on various factors, including the remaining no-decompression time at the current depth, oxygen supply, remaining battery life, and oxygen toxicity units (OTUs). The OTU's will be logged and can be monitored through the PC tool. It represents the number of minutes remaining at the current depth before one of these parameters is exceeded ("199" is displayed if more than 199 minutes remain). When the value falls below 5 minutes, it will flash. If a decompression ceiling is incurred, this value changes to represent the total decompression time – ascent time plus decompression stop(s).

When displaying this value, the value briefly changes to "td" ("total decompression") every few seconds (as shown on the previous page).

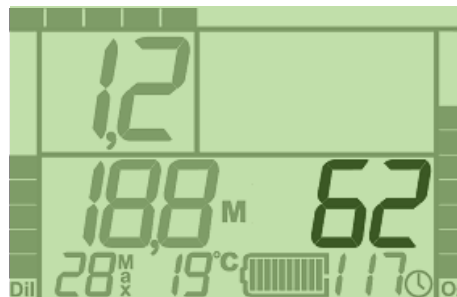


Figure 3-25. Remaining dive time (RDT).

WARNING:

Do not allow the Remaining Dive Time to reach zero! The value will begin to flash when several minutes remain, when an ascent should commence. Allowing the Remaining Dive Time to reach zero could place the diver at significant risk.

WARNING:

The Poseidon SE7EN rebreather is in recreational mode not intended for use on planned decompression dives. Although the Primary Display will provide a limited amount of information to allow completion of safe decompression, this information is provided ONLY as a guide when limits have been exceeded.

Elapsed dive time

The number of minutes that have elapsed during the dive (i.e., the total dive time) is displayed in the lower-right corner of the Primary Display, next to the small clock symbol printed on the LCD glass. This value represents the total elapsed time since the start of the dive. It begins incrementing only when a dive has started, and stops incrementing when the dive ends. If a subsequent dive is conducted without allowing the unit to power-down, then the elapsed dive time resets.

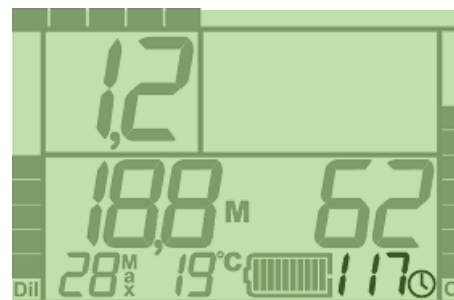


Figure 3-26. Elapsed dive time.

Ascend/descend arrow

Located in the center of the Primary Display, between the Current Depth value and the Remaining Dive Time value, is a symbol that can display an up-arrow, or a down-arrow. When the up-arrow is displayed, the diver should immediately begin a safe, controlled ascent. The up-arrow does not necessarily mean that the dive must be terminated – it may only indicate that the diver is approaching the no-decompression limit at the current depth; in which case ascending a certain amount may cause the up-arrow to stop flashing (i.e., when the depth is shallow enough that the diver has ample remaining no-decompression time at the current depth).

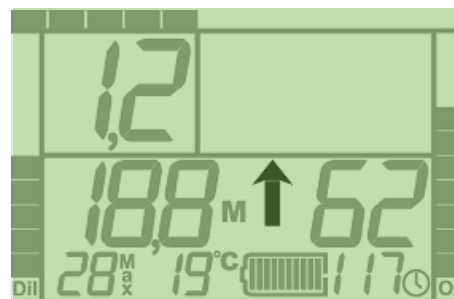


Figure 3-27. Ascend arrow.

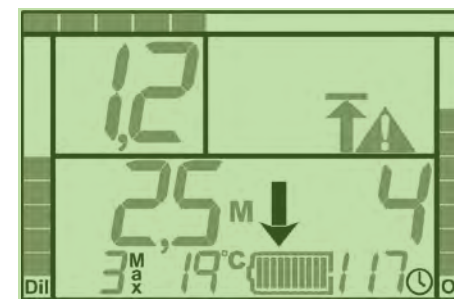


Figure 3-28. Descend arrow

In the unlikely event that a diver incurs a decompression obligation (i.e., the Decompression Ceiling Alert is displayed), and the diver then ascends above the depth at which the Decompression Stop Alert is displayed, the down-arrow will flash. In this situation, simply descend gradually until the down-arrow no longer flashes, and remain at that depth until the Decompression Stop Alert no longer displays.



Battery life indicator

Near the bottom of the Primary Display, just to the left of the Elapsed Dive Time value, is the Battery Life Indicator. This indicator serves as a “fuel gauge” for remaining battery life. If the remaining battery life is less than 20%, this indicator will flash, and the screen will indicate that the dive should be terminated. The more time that has elapsed since the last battery Learn Cycle, the greater percentage of battery charge is needed to ensure 20% remaining power.

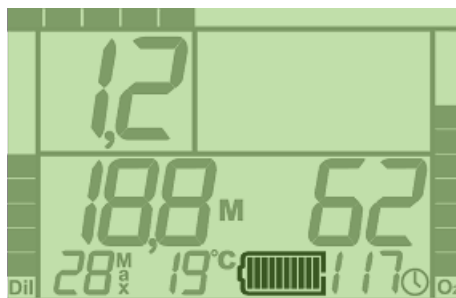


Figure 3-29. Battery life indicator.

DANGER:

Do NOT ignore the remaining battery life indicator. If the battery fails, the entire life-support system (including alarms) may cease to function. Failure to abort to open-circuit and terminate the dive could lead to serious injury or death.

Cylinder pressure indicators

Along either side of the Primary Display are the two cylinder pressure indicators, represented as bar graphs. The graph on the left side of the screen is for the diluent supply, and the graph on the right side of the screen is for the oxygen supply. Each segment in the bars represents approximately 10% of the total gas supply for each cylinder. When the pressure in either cylinder drops below 26 bar for Oxygen and 40 bar for diluent, the remaining segments of the corresponding bar graph will flash together with the alert icon. The full-scale (100%) value of each of these bar graphs is established using the PC Software.

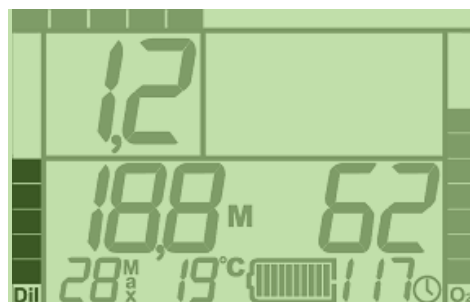


Figure 3-31.
Diluent cylinder pressure indicator.

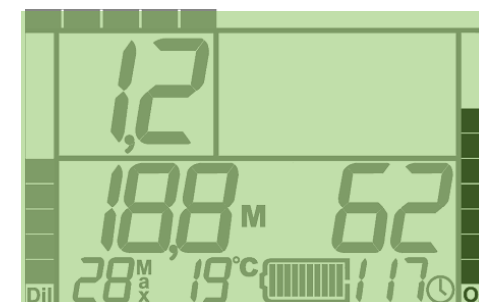


Figure 3-32.
Oxygen cylinder pressure indicator.

Temperature

Immediately to the left of the Battery Life Indicator is the Temperature reading. This value is displayed in units of centigrade when in metric mode, and units of fahrenheit when in imperial mode.

NOTE: These numbers will show the last two decimals of the PO₂ value, if it has been set to “High Res” in the Rb config tool for Windows or Mac OSx.

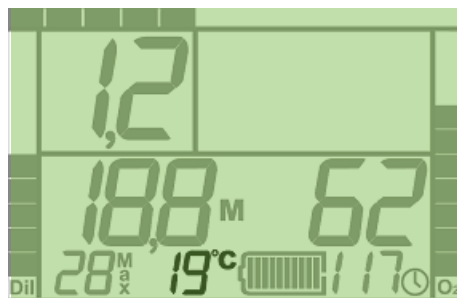


Figure 3-30. Temperature.

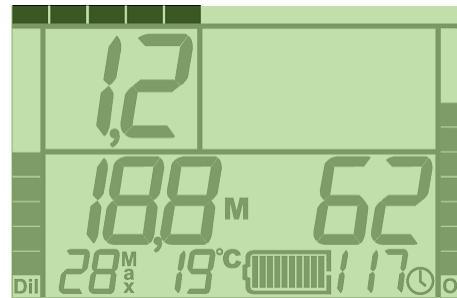


Figure 3-33. Ascent rate indicator.

Ascent rate indicator

The bar graph along the very top of the Primary Display indicates the diver's current ascent rate. It spans from left to right, and is not displayed when the diver is not ascending. If the bar is half-way across the width of the screen, the diver is ascending at a rate of 9 m / 29,5 ft per minute. If the status bar is shown across the entire width of the screen, the diver is ascending at a rate of 18 m / 59,0 ft per minute. The segments in this graph will flash if the safe ascent rate (10 m / 33 ft per minute) is exceeded.



System monitoring

Merely understanding how to read and interpret the information presented on the Poseidon SE7EN Primary Display is only the first step. All divers must learn to monitor the Primary Display and alarm systems regularly throughout the dive. In addition to the parameters monitored during an open-circuit scuba dive (e.g., depth, cylinder pressure, decompression status), a closed-circuit rebreather diver must also monitor other variables, such as the PO_2 of the breathing gas and the remaining battery life. The SE7EN is designed to make the task of monitoring these parameters as easy and straightforward as possible, and alarm systems have been incorporated to alert the diver when these parameters drift out of safe range. Nevertheless, it is vitally important to the safety of the diver that good system monitoring habits be developed.

Monitoring the PO_2 value

The most critical parameter to monitor on any closed-circuit rebreather is the oxygen partial pressure in the breathing loop. The most dangerous aspect of closed-circuit rebreathers is the fact that the oxygen concentration in the breathing gas is dynamic and can change. Considering the lack of reliable physiological warning symptoms for impending hypoxia or CNS oxygen toxicity, and the severity of these maladies while underwater, the importance of frequent PO_2 monitoring should be obvious. Fortunately, the Poseidon SE7EN is designed to not only monitor the PO_2 value in the breathing loop, but also validate that the oxygen sensor readings are correct and accurate. Although there are many alarm systems built into this system, it is always good practice for divers to regularly monitor the PO_2 value on the Primary Display screen, to ensure that it is within limits, and that the value itself is not flashing.

Monitoring gas supplies

The next most important parameters to monitor are the gas supplies, represented as bar graphs on the left and right sides of the Primary Display. In particular, it is important to make sure that the Air (“Dil”) pressure graph is not flashing. The electronics system will constantly calculate whether there is enough air supply remaining to allow a safe open-circuit bailout to the surface. If there is not enough air to allow a safe open-circuit bailout to the surface, the “Up Arrow” will be displayed on the LCD Display, indicating that the diver should ascend to a shallower depth.

The oxygen supply pressure should also be monitored to ensure there is a sufficient quantity of oxygen remaining in the oxygen cylinder to complete the remainder of the dive in closed-circuit mode. Because these values change very slowly throughout the course of a typical rebreather dive, there is a tendency to ignore them. As with other important parameters, there will be warnings issued in case the oxygen supply pressure gets too low; but nevertheless, the diver should be in the habit of monitoring this value regularly.

Monitoring remaining dive time

As mentioned previously, the Remaining Dive Time (RDT) value is based on several different factors. The value displayed represents the amount of remaining time (in minutes) for the most limiting factor. If the limiting factor is remaining battery life, the value will count down consistently, regardless of depth. However, if the limiting factor is remaining oxygen supply, the value could increase or decrease depending on the rate at which the diver is consuming oxygen. The value can change even more dramatically (and suddenly) when the limit is based on remaining no-decompression time. This is because a diver with only a few minutes remaining at a depth of 30 meters (for example) may well have many more minutes remaining at a shallower depth. Conversely, the remaining minutes may suddenly decrease sharply when depth increases. Thus, it's extremely important to monitor this value throughout the dive; particularly after increases in depth.

Note that the RDT value is NOT an exact value, and it should be regarded as a “recommended” remaining dive time, rather than an absolute remaining dive time. In the event that a diver inadvertently exceeds the no-decompression limits and the dive requires decompression stop(s), the RDT value changes to display the remaining total decompression time, as described previously.



Breathing underwater

Counterlung placement

When properly adjusted, the Poseidon SE7EN should rest easily on the diver's back. It should not feel awkward or loose, but rather it should be reasonably snug and comfortable. Specific strap adjustments will depend on what style of harness is used, but each counterlung comes with a set of three straps that can be looped around the harness shoulder straps, securing both counterlungs firmly to the diver's upper chest and shoulders. When properly positioned, both counterlungs should curve over the tops of the shoulders, such that the top ends are in line with the diver's back. They should hug the diver's body closely, and not float up or shift position as the diver swims in different orientations.



Counterlung strap adjustments

Besides the three large straps for attachment to the harness, each counterlung has several additional straps used to adjust positioning. At the top of each counterlung is a single adjustable strap that curves behind the diver's back and attaches to the corresponding cylinder strap. This counterlung strap is used to adjust the positioning of the top of each counterlung. At the bottom of each counterlung are two more adjustable straps. The longer of these angles straight down for attachment to a crotchstrap or a waist strap, and is used to keep the bottom of the counterlung securely down. The shorter strap angles laterally and attaches to the corresponding strap on the other counterlung. These two keep the counterlungs held together. It is well worth the time spent in shallow water making adjustments to these various straps until the counterlungs fit comfortably and closely to the upper chest and shoulders. The better the counterlung adjustment, the easier the breathing will be when underwater.





Tips on breathing

Breathing underwater on a closed-circuit rebreather, such as the Poseidon SE7EN, is somewhat different from breathing on land, or breathing with conventional scuba gear. As the diver exhales, the counterlungs both expand. As the diver inhales, the counterlungs contract. The direction of gas flow through the breathing loop is governed by the two check-valves in the bottom portion of the mouthpiece. The incorporation of two separate, over-the-shoulder counterlungs on the SE7EN helps to minimize the effort required to breathe underwater, but there are a few tips that make breathing easier.

The most important thing is to maintain an optimum volume of gas in the breathing loop. If there is too much back-pressure when exhaling (often felt in the cheeks), or if the overpressure relief valve on the exhale (left) counterlung “burbs” gas at the end of an exhaled breath, then the loop has too much gas, and some should be vented (e.g., by exhaling through the nose). If the counterlungs “bottom out” and/or the Automatic Diluent Valve (ADV) in the mouthpiece is triggered on a full inhalation, then there is not enough gas in the breathing loop. This condition should be corrected automatically by the ADV.

Tips on buoyancy control

Controlling buoyancy while diving with a rebreather is considerably different from buoyancy control with conventional open-circuit scuba. To begin with, whereas a scuba diver needs to manage buoyancy characteristics of two separate factors: the Buoyancy Control Device (BCD), and the exposure suit (i.e., a wetsuit or a dry suit). A rebreather diver must manage both of these, as well as the breathing loop of the rebreather. A complete discussion of buoyancy control with closed-circuit rebreathers is beyond the scope of this Manual. However, the following tips might be useful.

Although most divers probably do not realize it, fine trim for diving with conventional scuba gear is achieved through breathing. On each inhalation, the diver’s lungs expand and buoyancy is increased. The opposite occurs on exhalation. However, this does not occur with a rebreather (the Poseidon SE7EN included), because the buoyancy increase caused by expanding the lungs on an inhaled breath is offset by the decreasing volume of the counterlungs (and vice versa). This may at first be disconcerting for an experienced scuba diver trying a rebreather for the first time, because an inhalation done subconsciously to slightly increase buoyancy has no effect. However, with practice, it becomes advantageous to be able to hover in the water with perfect buoyancy, while breathing continuously.

The quickest and easiest way to fine-tune buoyancy with a rebreather is via addition and removal of gas to or from the breathing loop. To increase buoyancy slightly, a small amount of gas can be added to the breathing loop via the ADV (either by manually engaging the purge button, or by making an especially deep inhaled breath). For minor adjustments in buoyancy,

it is usually easier to control it with your breath rather than the purge-button since it could easily give a bit too much gas. To decrease buoyancy slightly, one need only exhale through the nose to vent gas out of the breathing loop (except when certain kinds of full-face masks are used).

New rebreather divers often have the most difficulty in very shallow water, where a slight change in depth yields a proportionally large change in displacement (and, hence, buoyancy). This is especially true when the diver begins to ascend, which causes the counterlungs to expand, leading to increased buoyancy, leading to further ascents, and expanding loop volume. This can lead to a “run-away” ascent that can be difficult to control. For this reason, it’s useful practice for rebreather divers to be in the habit of venting gas through the nose whenever ascending; particularly from very shallow depths.

Venting water from the loop

Even if a diver is very careful to prevent water from entering the breathing loop, there will always be some water collecting due to condensation. Most of this will form on the “exhalation” side of the breathing loop, between the mouthpiece and the CO₂ absorbent cartridge, and will generally collect in the exhalation (right-hand) counter lung. Sometimes, water will collect in the exhalation hose, immediately downstream of the mouthpiece. If this water is sufficient to cause gurgling noises with each breath, it can be poured into the exhalation counter lung by looking upward and holding the hose in such a way so as to dump the water towards the right-hand shoulder port. In most cases, the water that collects inside the exhalation counter lung will not disrupt the function of the Poseidon SE7EN in any way, so it can be safely ignored. However, sufficient quantities of water could be returned to the breathing loop if the diver becomes inverted, so it may be desirable to vent this water from the breathing loop altogether.

To do this, the diver should first become negatively buoyant, or attach to a secure object on the bottom. The breathing loop volume should be increased to at least 75% of maximum capacity by manually adding diluent via the ADV. The loop vent valve at the bottom of the exhalation counter lung should be rotated counterclockwise maximally to minimize the cracking pressure. While in an upright orientation, the diver should then compress both counter lungs by squeezing them against the chest with the elbows and upper arms, while simultaneously exhaling through the mouth and depressing the loop vent valve to open it. If done correctly, water will be expelled from the loop vent valve first, followed by a stream of gas bubbles. After the water has been flushed, the loop vent valve can be tightened by rotating clockwise, and the breathing loop volume and PO₂ can be restored to normal.

A small amount of condensation may also collect in the inhalation portion of the breathing loop, between the CO₂ absorbent cartridge and the mouthpiece. Normally, this will only be a small volume of water, and most will be absorbed by water trap.



Managing ascents

During an ascent from a rebreather dive, the oxygen partial pressure in the loop will begin to drop (due to the dropping ambient pressure). The oxygen control system will likely begin to compensate for this by injecting oxygen; however, during somewhat faster ascents, the solenoid valve may not be able to keep up with the drop in loop PO₂ caused by the drop in ambient pressure. This is not of great concern, unless the PO₂ gets so low that it triggers alarm conditions; but it represents one more reason why it's always good practice to ascend at a slow and controlled rate.

During the ascent, loop gas will be vented from the breathing loop due to expansion. For this reason, dives involving many ascents and descents (up and down) can lead to excessive loss of both diluent (during descents, in re-filling the breathing loop) and oxygen (during ascents, while trying to maintain the set-point).

Ending the dive

After surfacing and exiting the water, the Poseidon SE7EN electronics will continue to function indefinitely, ensuring a life-sustaining gas mixture is maintained in the breathing loop, until the following four conditions have all been met: the depth is "0"; the back of the Primary Display (where the wet switch contacts are located) has been dried; the pressure in the diluent regulator and hoses has been vented; and the mouthpiece valve has been placed in the Open-Circuit position. Once these four conditions are met, the system will vent the oxygen gas supply system, and power down the electronics.

The recommended sequence of steps for the proper post-dive shut-down procedure is as follows:

- Ensure mouthpiece is the Open-Circuit position (as it should always be when not in use).
- Turn off BOTH gas supply cylinders.
- Thoroughly dry the back face of the Primary Display, in the vicinity of the wet-switch contacts.
- Vent the diluent gas from the system by pressing the manual purge button on the ADV.



WARNING:

Always place the mouthpiece valve in the Open-Circuit position whenever it is not in use. Doing so seals the breathing loop and prevents water ingress into the breathing loop. Excess water in the breathing loop can form a caustic if it comes in contact with the absorbent material.



IMPORTANT:

Be certain that the oxygen cylinder is turned OFF prior to completing the steps necessary for the post-dive shut-down procedure. When the electronics shut down, the oxygen gas supply system is vented. If the cylinder valve is open, the system will not properly vent.

**IMPORTANT:**

Do NOT remove the battery while the electronics system is active. Failure to complete a proper shut-down procedure will cause the battery CPU to remain active, and drain the power supply unnecessarily.

Safe diving with the Poseidon SE7EN

- NEVER hold your breath when breathing underwater!
- ALWAYS change the CO₂ absorbent cartridge whenever the oxygen cylinder is refilled or replaced.
- ALWAYS remove the sponge from the top and bottom of the CO₂ absorbent cartridge after every dive and squeeze as much moisture out of the sponge as possible. It is extremely important to allow this sponge to dry as much as possible before starting a new dive.
- If you feel the mouthpiece vibrate for more than a brief pulse, then change the mouthpiece position NOW!"
- If you hear the audio alarm, IMMEDIATELY check the LCD display and prepare to terminate the dive.
- If the Heads-Up Display light on the mouthpiece is STEADY ON, then ASCEND at a safe and controlled rate to the surface.
- If the Heads-Up Display (HUD) light on the mouthpiece FLASHES, then STOP, look at the LCD screen. A short single flash is a reminder to you to keep track of your PO₂, which is shown in the upper left field of the display. If there is a problem, the HUD light will continue to flash, and there may be a symbol in the upper right field of the display flashing to indicate the nature of the problem. For example, the directional arrows advise you to go up (ascend) if you need to end the dive or if you need to go shallower; or go down (descend) if you have ascended above a required decompression ceiling. Other fields on the display may flash to indicate what the problem is. More information on the functionality of the display is presented in Chapter 3.
- When in doubt, bail out - switch to open-circuit (OC) and ascend in a controlled manner to the surface.
- The default setpoint control algorithm is designed to allow for hands-off control of the system PO₂ during all phases of a dive. The Poseidon SE7EN uses a proprietary method that begins with a default control setpoint on the surface of 0.5 bar and gradually increases PO₂ to a maximum automatic value of 1.2 bar at a depth of 15 m / 50 ft. Beyond this depth the system will automatically control to a setpoint of 1.2 bar to the maximum operating depth of the rig at 40 m.



Chapter 4 - Post-dive care and maintenance

Proper post-dive procedures are important for any rebreather, and the Poseidon SE7EN is no exception. Such procedures not only ensure that the system will work correctly on the next dive, but will also extend the functional life of the unit. This chapter is divided into four main sections, including information on care and maintenance that should be done following every dive, steps that should be done at the end of each diving day, long-term care and storage, and information concerning travelling with the rebreather.



IMPORTANT:

Failure to take proper care of the Poseidon SE7EN can reduce its effectiveness, and also shorten its lifespan. A small investment of time to care for the rebreather unit will help ensure that it continues its job to take care of you.

Replacing the oxygen and CO₂ absorbent cartridge

If the remaining oxygen supply is insufficient for a second dive and the cylinder needs to be refilled, then it is imperative that the CO₂ absorbent canister be replaced at the same time. This is because the absorbent duration is keyed to the amount of oxygen contained in the oxygen supply cylinder. As long as the absorbent cartridge is replaced whenever the oxygen cylinder is refilled, the absorbent will always out-last the oxygen supply.



DANGER:

The CO₂ absorbent cartridge **MUST** be replaced whenever the oxygen supply cylinder is replaced or re-filled. Failure to change the absorbent cartridge in this fashion could lead to serious injury or death.

After each dive

The extended dive durations possible with the Poseidon SE7EN will likely exceed the amount of time most divers will want to spend on any one dive. As a consequence, in many cases it is likely that divers will conduct more than one dive in a single day.

Power down

After each dive, if the next dive will not occur within a few minutes, it's important to follow the steps listed at the end of Chapter 3 to shut the power down on the electronics system. Failure to do so will not cause any risk to the diver or the Poseidon SE7EN itself, but it will lead to unnecessary battery consumption, thereby requiring re-charging sooner than would otherwise be the case.

Removing the electronics module

Unless a subsequent dive is planned soon after the previous dive, it's generally good practice to remove the Electronics Module from the breathing loop, to allow inspection of the oxygen sensors, and also to allow moisture from condensation to dry out. Avoid removing the battery unless the e-module is dry. If the electronics are to be removed completely, both gas supply cylinders must first be de-pressurized so that the regulators can be removed. Follow the instructions included in Chapter 3 for proper power-down procedures, which include de-pressurizing both gas supply cylinders.



Replacing the water trap sponge

If a surface interval between dives is planned to extend for an hour or more, it is a good idea to remove the sponge from the Poseidon SE7EN backpack and squeeze as much water out of it as possible. It is best to replace the sponge and cartridge (which must be removed to access the sponge) immediately afterwards, even if the sponge isn't completely dry, to minimize the chance of replacing the wrong CO₂ absorbent cartridge.

After each day of diving

Open the breathing loop

At the end of each diving day, it is important to open up the breathing loop to allow the hoses and other components to dry overnight. This is, by far, the best procedure for keeping the inside of the breathing loop clean.

All four breathing hoses should be removed from their attachment points (mouthpiece, shoulder-ports, and main housing), and placed such that water inside will drain out, and somewhere with relatively dry, well-circulated air.

Remove the shoulder ports from the counterlungs and store them where they will dry, and will be protected from accidental damage. Remove the counterlungs from the harness and, if possible, hang them such that water will drain from them through the Shoulder-Port connection sockets.

Remove the CO₂ absorbent cartridge and the two sponge water traps. Discard the absorbent cartridge properly, and squeeze out the sponges and place them where they will be allowed to dry.

Store the electronics

After removing the regulators from the oxygen and diluent cylinders, remove the electronics module and place the entire electronics/pneumatics assembly where it will be able to dry. Do not attempt to disconnect the regulators from the electronics module, or disconnect the mouthpiece from the supply hose. It is best to keep the entire electronics/pneumatics assembly together. The mouthpiece should be in the closed-circuit position to allow the check-valves to dry on all sides.

Remove the battery from the electronics Module and recharge, if necessary. Be careful not to mix up different batteries with different electronics modules, as they are keyed to each other.



IMPORTANT:

Batteries and electronics modules are individually linked to each other. Changing from one battery to another for a single electronics module, or using the same battery on more than one electronics module, will cause a loss of surface-interval credit for decompression calculations.

Long term storage and care

Storage

If the rebreather is not going to be used for extended periods (e.g., in excess of several weeks or months), it's important to break down and store the rebreather properly. The first step is to follow the instructions above for procedures to follow at the end of each diving day. Once opened, CO₂ absorbent cartridges cannot be stored safely for extended periods of time, so any opened cartridges should be discarded. It is also important to ensure that all components are clean and dry before long-term storage, to avoid problems of corrosion as well as mold and other biological cultures.

The cylinders should be removed from the backpack unit and stored in a clean, dry location. This will prevent corrosion on the cylinders that may form from residual moisture or salt in the webbing material of the cylinder straps, and will also prevent permanent deformation of the straps and the rubber cylinder mounts located on the sides of the backpack unit. Cylinders should be stored with valves installed and at least some pressure inside the cylinder. Be sure to maintain proper inspections and certifications on the cylinders if necessary.

Breathing hoses should be stored in a clean, dry location, where the insides of the hoses are exposed to open air, and in a way that allows them to be laid straight. It is important not to bend them sharply or store them in a way that causes deformation of the circular cross-section of the hoses, lest such distortions become permanent.



Electronics should be stored in a clean, dry environment, with the battery and oxygen sensors removed and stored separately. The battery should be recharged periodically, as described in Chapter 1. Keep in mind that oxygen sensors may need to be replaced if the rebreather is stored for extended periods.

First-stage regulators should receive annual servicing, as needed. The open-circuit regulator built into the mouthpiece of the Poseidon SE7EN should be serviced by a qualified Poseidon Service Center prior to diving after an extended period of storage.

Before storing the rebreather for extended periods, it's good practice to lubricate the user-accessible o-rings, to minimize the affects of aging and extended drying.

If long-term storage is expected to extend for several months or more, it is good practice to break down the cylinders and rebreather for storage in the provided case, as described below.

Replacing oxygen sensors

If the automated Pre-Dive routine consistently fails on test 53 (oxygen sensor calibration), one or both of the oxygen sensors needs to be replaced. The troubleshooting guide table in Appendix 1 lists all of the error codes for Test 53. If the test fails consistently with Error Code 67, 68, 72, 73, or 76, the Primary oxygen sensor needs to be replaced. If the test fails consistently with Error Code 69, 70, 74, or 75, the Secondary oxygen sensor needs to be replaced. (Note: Error Codes 66 and 71 of Test 53 are likely due to incorrect diluent or oxygen mixtures, but may suggest the need to replace both oxygen sensors.)

Included with the Poseidon SE7EN is the Oxygen Sensor Removal tool (Figure 4-1). This tool is specially designed to remove oxygen sensors from the electronics module. As shown in Figure 4-1, the tool is held with the forefinger and middle finger through two large holes on either side of the plunger, with the thumb on the plunger button (similar to holding a syringe).

With the splayed flange of the tool lined up with the hole of the oxygen sensor base, snap the tool into the sensor base as shown in Figure 4.2. It's important to note that the tool locks into the oxygen sensor base when plunger button is pressed. Therefore, do NOT attempt to insert or remove the tool from the oxygen sensor base while the button is pressed.

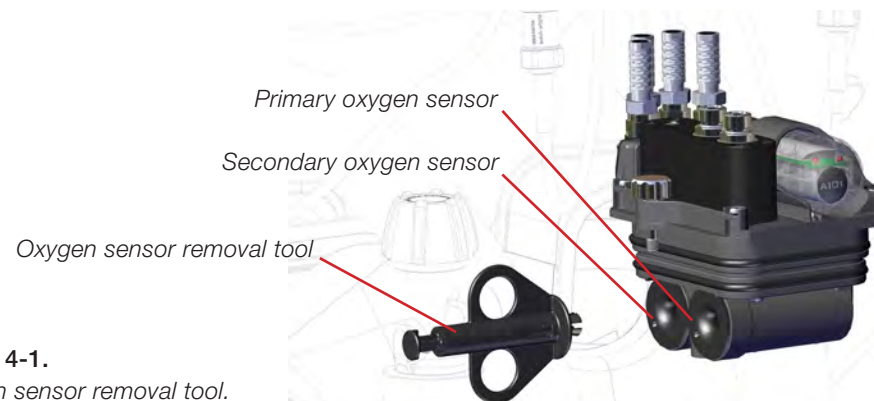


Figure 4-1.
Oxygen sensor removal tool.



Figure 4-2.
Removal tool snapped into sensor base.

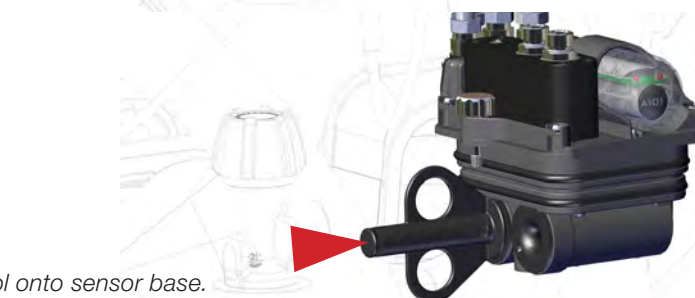


Figure 4-3.
Press button to lock tool onto sensor base.

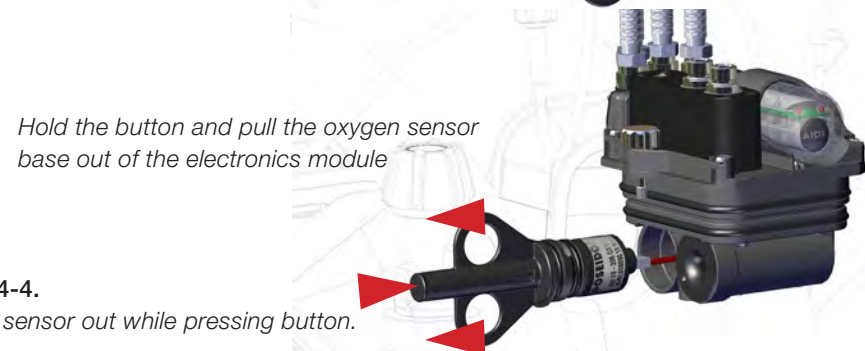


Figure 4-4.
Pull the sensor out while pressing button.



With the Oxygen Sensor removal tool snapped into the oxygen sensor base, press the plunger button with the thumb (Figure 4.3) to lock it in. While continuing to press the button, pull the tool away from the electronics module, and the oxygen sensor base (with oxygen sensor attached) will slide out easily (Figure 4-4).

Whenever an oxygen sensor is changed, the serial number of the new sensor, and its position (Primary or Secondary) should be logged. This should also be done whenever the positions of the two oxygen sensors are reversed. Doing so allows the history of the sensor to be tracked over time and correlated with the logged data associated with that sensor. Such information can be extremely valuable for detecting when a sensor is nearing the end of its life. The serial number of the sensor is printed on the sensor label, as shown in Figure 4-5.

Once the oxygen sensor base and sensor are removed from the electronics module, the electrical connection can be unplugged from the back of the sensor. Detach the tool from the sensor base by releasing the plunger button and pulling it off. The oxygen sensor can then be removed from the sensor base by unscrewing it (Figure 4-5).

Attach the new oxygen sensor to the oxygen sensor base by screwing it into place. Make sure the o-ring around the base of the threads on the oxygen sensor is clean and free of any damage, and that it seals properly when the sensor is screwed down snugly.

Once the sensor is properly attached to the sensor base, the electrical connector on the electronics module should be attached to the sensor. The sensor has three electrical contact pins in a straight row, parallel to a flat plastic guide tab. Hold the connector so that the three contact holes line up with the three pins on the sensor, and the two plastic pins on the connector straddle the flat guide tab. Carefully push the connector without bending any of the pins, until it is completely seated.

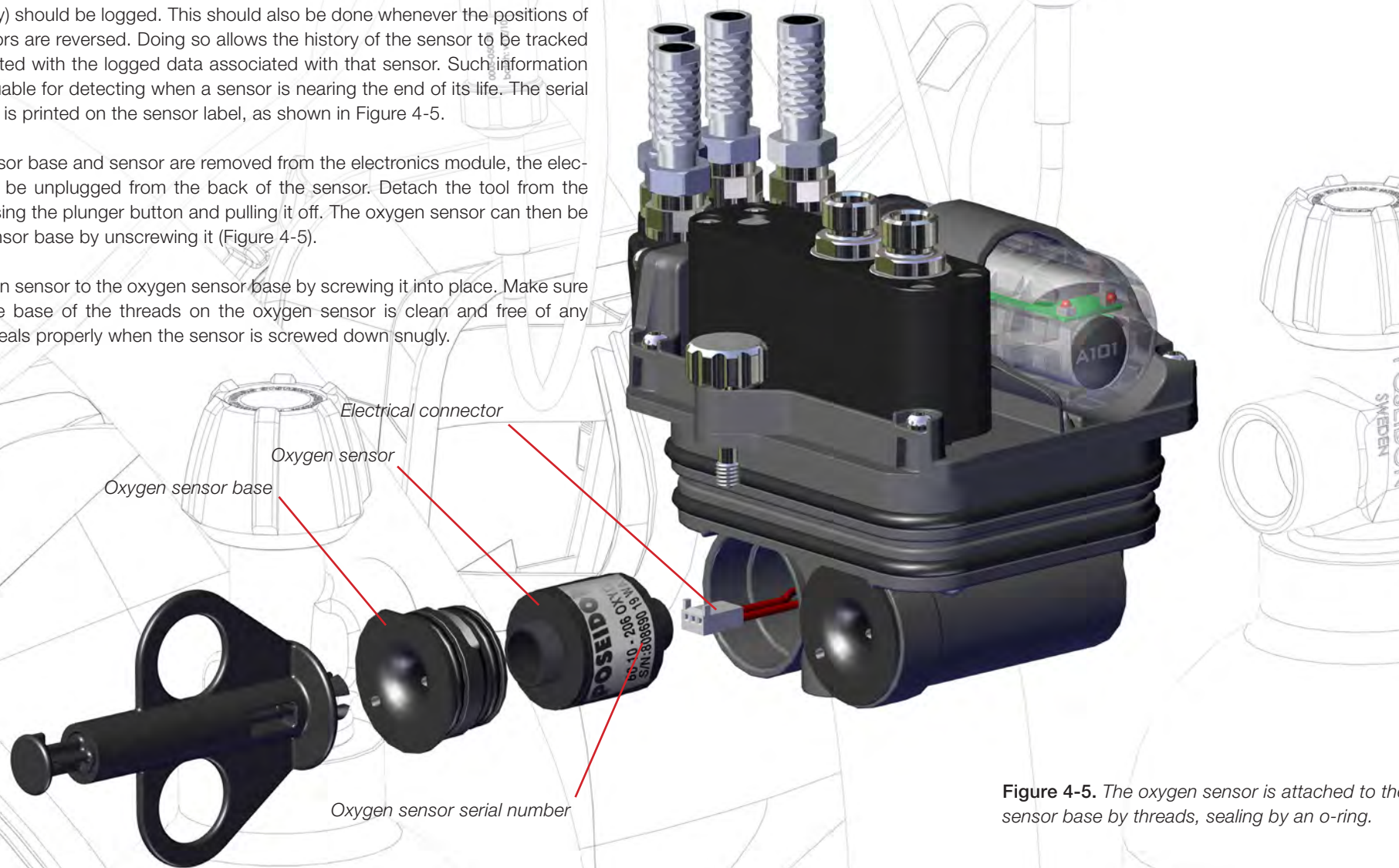


Figure 4-5. The oxygen sensor is attached to the sensor base by threads, sealing by an o-ring.



With the electrical connector properly attached to the sensor, inspect the two radial o-rings on the oxygen sensor base to make sure they are clean and free of any damage. Ensuring that the electrical connector is still firmly attached, slide the sensor into the electronics module, with the flat part of the outer edge of the sensor base facing towards the top of the electronics module (Figure 4-6). Carefully press the sensor into the electronics module until it is firmly seated. There should not be much resistance when inserting the sensor base into the electronics module. If excessive resistance is evident, inspect the o-rings to make sure they are seating properly, and make sure the electrical wires are not pinched between the sensor and the surrounding walls.

Flat edge of the sensor base faces towards the top of the electronics module

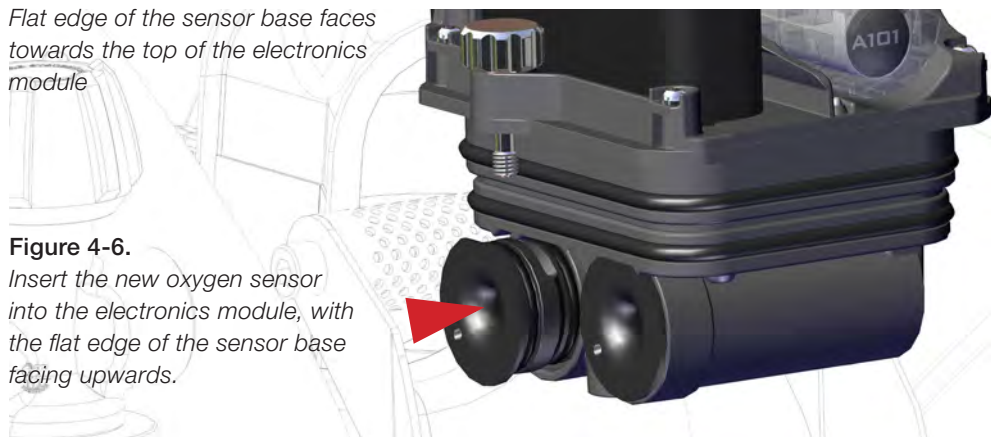


Figure 4-6.
Insert the new oxygen sensor into the electronics module, with the flat edge of the sensor base facing upwards.



IMPORTANT:

Oxygen sensors are regarded as a consumable and NOT covered by Poseidon's warranty program!



DANGER:

The oxygen sensors are the most important components of any rebreather. Handle them with care, and make sure the electrical connections are clean and properly attached.

Traveling with the Poseidon SE7EN

Many people conduct most of their diving activities at destinations far from home. As such, it's entirely likely that Poseidon SE7EN owners will want to travel with their rebreathers to far-off destinations. Indeed, a great deal of effort went into the design and development of the SE7EN to ensure that it was lightweight and easy to travel with.

Preparing the cylinders

There are strict laws concerning the transport of pressurized gas cylinders on aircraft, and different airlines will have different policies to assure compliance with these laws. At a minimum, most airlines require that cylinder valves be removed, and that the cylinders themselves be available for inspection prior to loading onto an aircraft. Before removing the valves from the cylinders, it is necessary to completely drain the cylinders of any gas pressure. If the cylinders are full, or the valves opened such that the cylinders drain quickly, the metal of the cylinders and valves will become cold, and produce beads of moisture (condensation). It's important that this moisture not be allowed to get inside the cylinder, so always allow the cylinders to warm back up to room temperature, and wipe off any remaining moisture before attempting to remove the valves from the cylinders.

Removing valves from cylinders can sometimes be tricky. DO NOT attempt to use tools such as hammers, mallets, wrenches, pliers, or other such devices to remove the valves, unless you know exactly what you are doing. It is highly recommended that the cylinders be taken to a qualified dive shop or service center to have the valves removed. The same is true when replacing the cylinders at the dive destination, or upon returning from a trip. As soon as the valves are removed, be sure to insert an appropriate plastic plug into the threaded opening of the cylinder, to prevent dirt, moisture, and other contaminants from entering the cylinders.



DANGER:

The cylinders have been specially cleaned for use with high-pressure oxygen. Allowing contaminants to enter the cylinders risks fire and explosion, and could lead to serious injury or death.



Appendix 1 - Troubleshooting guide

This Appendix provides detailed information on possible problems that may occur when preparing or using the Poseidon SE7EN for diving. It is divided into two main sections: The Automatic Pre-Dive Tests, and Hardware Issues. The Automatic Pre-Dive Test section includes all of the automated tests according to each test number, with a description of what is being tested and the possible failure modes, as well as possible causes and solutions. The Hardware Issues section discusses various problems that can occur with the mechanical aspects of the SE7EN, and how to correct them. Many of the problems in both sections can be easily solved by the diver; but some require repair at an authorised Poseidon Service Center.

Never tamper with bolts or screws this may permanently destroy the unit. This is due to that the internal cavities may be filled.

Do not try to alter the clock settings to bypass service intervals etc. This may set the unit in an unoperable state.

Automatic pre-dive test

As described in Chapter 2 of the Manual, the Poseidon SE7EN electronics automatically conduct a series of tests whenever the system is powered-up (i.e., whenever a battery is inserted into the electronics module, or the wet switch on the back of the Primary Display is activated). While these tests are running, the test number is shown on the left side of the Primary Display (where the depth is normally shown), and the test number is preceded by a lower-case “t” (see Figure A1-1). When each test is active, a “spinning wheel” is displayed on the right side of the display, where the remaining dive time is normally displayed. This “spinning wheel” is represented by a “0” character in the right-most position, missing one of the segments. The missing segment rotates positions around the “0” in a clockwise direction. The purpose of this symbol is to assure the diver that the test is still actively being conducted, and the system has not locked up.

When a test completes successfully, the next test begins automatically, as represented by the increasing “t” number on the left side of the Primary Display. The bar graph located along the

top of the display (normally used as an ascent rate indicator) serves as a progress bar for the test routine; starting with all segments lit, then eliminating segments from right to left as the test or set of tests progresses. If a test fails, the test number flashes, and the “spinning wheel” indicator on the right side of the display is replaced by a flashing error code, indicating what aspect of the test failed (Figure A1-2). When a test fails the SE7EN will either power down after 5 minutes or power down if the user goes through the wet/dry confirmation sequence. This gives the user time to note the displayed error code. The five minute power down will be reset if an Bluetooth message is received (if the wet switch is not activated and the system has not entered Dive Mode due to exposure to depth).

It is important to carefully monitor the automatic pre-dive test routine, in case a test fails. Upon test failure, the test number and error code will flash until the user confirms the error by wet switch wet procedure or will power down after 5 minutes whichever comes first. The audio alarm will sound during this time to alert the diver to test failure. It is important to note BOTH the test number (left side of the display), and the error code number (right side of the display), because both of these values are needed to identify the likely cause of the problem and, in some cases, determine the best course of action to correct the problem.



Figure A1-1: Test 17 (Backlight Power consumption), displaying test number on the left and the “spinning wheel” on the right.

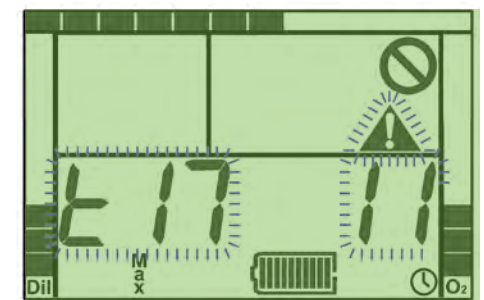


Figure A1-2: Test 17 failure, with flashing test number and error code.



Technically, an error code of “1” means that the test passed successfully. However, this should never be displayed, because as soon as a test passes, the routine continues on to the next test. An error code of “0” means that the test did not complete within the allotted time. For tests requiring action by the user (t43-t45, t50), this usually happens when the action was not performed within the time allowed. For the other tests, error code “0” is the result of a failure of a processor to respond in time (such as from a network failure), which in many cases can be solved with the standard response, as described below.

Standard response to test failure

The first thing to do when any of the automatic pre-dive tests fail, is make sure that the battery is adequately charged and that it does not require a learn cycle. A low battery may cause one or more of the tests (especially tests 16–31) to fail. It’s also important to make sure the battery is not over-charged. In rare circumstances, the battery might actually be charged beyond its intended capacity, and this can also cause certain tests to fail. If there is reason to suspect that the battery may be over-charged, insert the battery and/or power-up the electronics, and maintain contact across the two wet-switch terminals on the back of the Primary Display (forcing the power to remain on in the event of a test failure). After several minutes with the power on, the battery should no longer be over-charged, and the automatic pre-dive routine can be re-started.

If the battery is properly charged (and not over-charged), there are still several actions that may correct a persistent failure of one of the PSTs; namely:

- Reboot. Simply allowing the electronics to power-down (after a test failure), then activating the wet switch again to re-start the automatic pre-dive test routine, can often correct a failure in one of the tests.
- Reset Battery. After repeated failures of the same test, allow the system to power-down following a failed test, then remove the battery from the electronics and insert it into the battery charger (with the charger plugged into an appropriate power supply). After leaving the battery on the charger for a few minutes, re-insert the battery into the electronics, which will re-start the automatic pre-dive test routine. Sometimes, this will solve a problem that a simple reboot might not. Be sure to allow the system to power-down before attempting to reset the battery!



WARNING:

Do not remove the battery when the electronics are powered-up. Doing so could have unpredictable consequences on the behavior of the electronics.

Troubleshooting table

If, after attempting the Standard Response to a test failure, the automatic pre-dive routine consistently fails on the same test, note the test number and error code for the failed test, and consult the table on the following pages. Some of the solutions in this table suggest that the system parameters be reset, or the firmware be re-installed, as follows:

- Reset System Parameters. In some cases, a test may fail because some of the user-selectable parameters have become corrupted. Thus, for certain tests, the Configuration PC software can be used to reset system parameters.

Hardware issues

Following the table for the automatic pre-dive tests is a similar table for troubleshooting various issues related to the Hardware other than the automatic pre-dive routine.



If you get an error on test 49

Test 49 is the Positive Pressure Loop test (PPLT) where the unit checks for leaks in the breathing loop and if the solenoids are opening and closing they way they should.

If your unit fails on this test, check the following:

- Is the OPV valve on the exhalation lung closed?
- Are all loop hoses connected?
- Are all o-rings in the loop undamaged?
- Are all o-rings in the loop mounted correctly?
- Is there any visible damage to the unit?
- Did the loop pass a negative loop test?
- Are the lungs empty when the PPLT starts?
- Is the bottom plate of the canister housing properly assembled with all four screws?
- Is the mouthpiece leaking?

The PPLT is a very sensitive test, where the unit looks for changes in pressure in the loop. A failed PPLT can be caused by one or both lungs being pressed by the mouthpiece or any other part of the unit.

Make sure that the lungs are kept free from any external pressure, during the PPLT.

We know from experience that almost all failed PPLT are caused by improper assembly of the loop.

Proper assembly of the loop, regularly lubricating o-rings in the loop and making sure that the OPV valve on the exhalation lung is closed, rinsed with fresh water and cleaned will minimize the risk of failing on test 49.

Error on test 53

Test 53 is the oxygen sensor calibration test and this is quite complicated and based on a lot of factors such as:

- Temperature of the sensors
- Percentage of oxygen in the gases used
- Response time from a sensor
- Milli voltage of a sensor

The test will start by injecting pure oxygen directly on the primary oxygen sensor for 20 continuous seconds. After the calibration constants for oxygen are established, the system then injects diluent (air) via the diluent calibration solenoid valve. In doing so, this test calibrates the primary sensor, and confirms that the correct gas mixtures are used in the respective cylinders.

This means, that the milli volt reading from a sensor alone can't be used to establish if an oxygen sensor is working properly or not. The response time of an oxygen sensor differs based on the temperature of the oxygen sensor. This means that the temperature of an oxygen sensor can have a big effect on the success of a Pre Dive calibration.

If your unit stops at test 53, try the following to resolve the problem:

- Verify that the gas cylinders are connected to the correct pneumatics block LP connections (DIL/O2).
- Make sure the cylinders contain the correct gas mix
- If winter diving, warm the sensors up, in your pocket

If the unit keeps failing test 53, you might have to replace one or both oxygen sensors.

Once the service date is due, the diver is prompted to acknowledge (similar to "power up procedure") that he/she has understood that service is needed. A grace period of 4 weeks is added. The service due date can also be seen through the PC Config PC software.

Depth reading difference

When you compare the depth reading on the Poseidon SE7EN display and your wrist mounted dive computer, placing them side by side, you might see a difference in depth. This is due to the fact that the depth sensor in the SE7EN is located at the bottom of the e-module, located behind your neck and not in the display it self.

C1 alarms on land

When your Poseidon SE7EN has passed the Pre Dive check you should always set the mouthpiece DV switch to its Open Circuit (OC) position.

If you set it in Closed Circuit (CC) position, you will most likely get a C1 alert. This is normal.



The reason for this alert is, that when the unit is turned on, and the mouthpiece is in CC mode, it will perform sensor validations, checking the PO₂ value, even when it is on land. If the difference in PO₂ value is too small, when the unit compares the PO₂ value from the last validation with the PO₂ reading from the most recent validation, the unit assumes that the primary oxygen sensor is "frozen" and giving a false reading.

If you get a C1 alert, when your unit is on land, do the following to turn the alert of:

1. Set the DV switch to CC mode.
2. Breathe on the loop, to change the PO₂ value.
3. Continue breathing on the loop until the next successful sensor validation is performed. (about 2 min. maximum)
4. When the C1 alert goes away, set the DV switch in OC mode.

If the C1 alert persists, after you've done the 4 steps above, then there's something else causing the C1 alert.

Note.

The C1 alert will NOT go away by switching the mouthpiece DV switch to OC mode only.

Hyperoxic linearity test

When you descend and reach 6 m (20 swf) depth, the Discoverey will do a Hyperoxic Linearity test. The reason for the test is to make sure that the oxygen sensors can read PO₂ values above 1.0.

If the unit, for any reason, fails the hyperoxic Linearity test, the maximum setpoint used during the dive is 1.0.

There are a few things you can do, to increase the chance of a successful Hyperoxic Linearity test.

When descending, give the unit time to perform the test, i.e. don't descend too fast between 6 m (20 swf) to 10 m (33 swf).

Avoid repeated ascend/descend depth changes between 6 m (20 swf) to 10 m (33 swf) until the Hyperoxic Linearity test is completed.

How the PO₂ alarm works

The PO₂ status is processed in the following order:

If the PO₂ is < 0,3 then a hypoxic alarm will occur immediately.

If the PO₂ is > 1.8 then a hyperoxic alarm will occur immediately.

If the PO₂ is > 1.6 and has been so for more then 1 minute, a hyperoxic alarm will occur.

If $\text{abs}(\text{PO}_2 - \text{SP}) > \text{SP}/4$ and has been so for more then 2 minutes, a deviation alarm will occur. (Note. SP = setpoint)

In all other cases, no alarms will occur.

What to do if I can't resolve the problem

If you can't resolve the problem you are experiencing, do the following:

- Connect your Poseidon SE7EN to a computer/laptop using the PC Configuration program (available as a download from www.poseidon.com)
- Download the Red Box Log file from the two last failed pre-dive checks or from the last dive where you experienced the problem.
- If you experienced problems during a dive, also download the Dive log from the dive in question.
- Contact the dive center / dealer where you purchased your Poseidon SE7EN and e-mail them the Red Box Log file(s) and dive log(s) you have downloaded from your SE7EN.

If you are asked to send in your e-module for repair / analysis, please send the following parts:

- Electronics module with primary display, HUD and HP sensors
- Battery
- Oxygen sensors



Always ensure that battery is adequately charged (but not over-charged) before attempting automatic pre-dive routine. The standard response to any test failure should be an attempted reboot. Repeated failures of the same test (including Error Code 0) may sometimes be solved by removing the battery, placing it on the charger for a few minutes, then re-inserting on the electronics. **NEVER** remove the battery until after the system has powered-down! Time values are maximum seconds allowed for each test.

T#	TIME (SEC)	DESCRIPTION	ERROR CODE	SOLUTION
1	1,5	System Data Log Integrity Test. This test ensures that the data log circuitry in the Primary Display is functional and accessible.	2=Bad Chip	1) Standard Response; 2) If test failure persists, contact an authorized Poseidon Service Center for repair.
2	1	Display ROM / RAM / Fuses. This tests the RAM, ROM and fuse settings of the electronics in the Primary Display. The RAM is tested only when the battery is inserted, and the results used for all subsequent power-up routines. Other tests are conducted on each power-up routine.	4=Bad RAM 5=Bad Fuse	1) Standard Response; 2) If test failure persists, contact an authorized Poseidon Service Center for repair.
			3=Bad ROM	1) Standard Response; 2) If test continues to fail, attempt to reinstall Firmware (may cause unrecoverable failure); 3) If test failure persists, contact an authorized Poseidon Service Center for repair.
3	1	Display EEPROM. This tests the EEPROM (static memory) in the Primary Display, which contains user-selectable configuration information, for internal errors or data corruption.	6=Bad EEPROM	1) Standard Response; 2) If test continues to fail, reset system parameters; 3) If test failure persists, contact an authorized Poseidon Service Center for repair.
4	1	HUD ROM / RAM / Fuses. This tests the RAM, ROM and fuse settings of the electronics in the HUD (Head-Up Display). The RAM is tested only when the battery is inserted, and the results used for all subsequent power-up routines. Other tests are conducted on each power-up routine.	4=Bad RAM 5=Bad Fuse	1) Standard Response; 2) If test failure persists, contact an authorized Poseidon Service Center for repair.
			3=Bad ROM	1) Standard Response; 2) If test continues to fail, attempt to reinstall Firmware (may cause unrecoverable failure); 3) If test failure persists, contact an authorized Poseidon Service Center for repair.
5	1	HUD EEPROM. This tests the EEPROM (static memory) in the HUD (Head-Up Display), which contains user-selectable configuration information, for internal errors or data corruption.	6=Bad EEPROM 82=Display missing from network	1) Standard Response; 2) If test continues to fail, reset system parameters; 3) If test failure persists, contact an authorized Poseidon Service Center for repair.
6	5	Backpack ROM / RAM / Fuses. This tests the RAM, ROM and fuse settings of the electronics in the backpack processor. The RAM is tested only when the battery is inserted, and the results used for all subsequent power-up routines. Other tests are conducted on each power-up routine.	4=Bad RAM 5=Bad Fuse	1) Standard Response; 2) If test failure persists, contact an authorized Poseidon Service Center for repair.
			3=Bad ROM	1) Standard Response; 2) If test continues to fail, attempt to reinstall Firmware (may cause unrecoverable failure); 3) If test failure persists, contact an authorized Poseidon Service Center for repair.
7	1	Backpack EEPROM. This tests the EEPROM (static memory) in the backpack processor, which contains user-selectable configuration information, for internal errors or data corruption.	6=Bad EEPROM	1) Standard Response; 2) If test continues to fail, reset system parameters; 3) If test failure persists, contact an authorized Poseidon Service Center for repair.



T#	TIME (SEC)	DESCRIPTION	ERROR CODE	SOLUTION
8	1	Battery ROM / RAM / Fuses. This tests the RAM, ROM and fuse settings of the electronics in the battery processor. The RAM is tested only by the factory or when new firmware is installed, and the results used for all subsequent power-up routines. Other tests are conducted on each power-up routine.	4=Bad RAM 5=Bad Fuse 3=Bad ROM	1) Standard Response; 2) If test failure persists, contact an authorized Poseidon Service Center for repair. 1) Standard Response; 2) If test continues to fail, attempt to reinstall Firmware (may cause unrecoverable failure); 3) If test failure persists, contact an authorized Poseidon Service Center for repair.
9	1	Battery EEPROM. This tests the EEPROM (static memory) in the battery processor, which contains user-selectable configuration information, for internal errors or data corruption. Test also checks the RTC clock correctness.	6=Bad EEPROM 84=Battery missing from network 90=RTC clock out of range	1) Standard Response; 2) If test continues to fail, set RTC clock or reset system parameters; 3) If test failure persists, contact an authorized Poseidon Service Center for repair.
14	2	Battery Data logger. This test ensures that the data log circuitry in the Battery is functional and accessible.	13=Bad Chip	1) Standard Response; 2) If test failure persists, contact an authorized Poseidon Service Center for repair.
15	1	Firmware Version Compatibility. This test compares the versions of firmware installed on each of the system processors, and ensures they are compatible with each other.	7=Battery Mismatch 8=Non-Batt. Mismatch 84=Battery missing from network 85=A unit (HUD, DISP, Battery) was missing during version check	1) Standard Response; 2) If test continues to fail, attempt to reinstall Firmware (may cause unrecoverable failure); 3) If test failure persists, contact an authorized Poseidon Service Center for repair.
16	8	Battery State-of-Charge. This tests the circuitry that calculates the State-of-Charge (SoC) for the battery, by measuring the base-level electrical current consumed by the electronics. Many of the tests that follow this test rely on an accurate SoC calculation.	9=Current too low 10=Current too high 87=Voltage too low 88= Voltage too high	1) Standard Response; 2) If test continues to fail, try a different battery; 3) If test failure persists, contact an authorized Poseidon Service Center for repair.
17	9	Primary Display Backlight. This test measures the amount of electrical current consumed by the backlight of the Primary Display, when the backlight is turned on with maximum brightness. After this test has completed, the backlight remains on for the remainder of the tests.	11=Current too low 12=Current too high	1) Standard Response; 2) If test failure persists, or if backlight does not turn on during this test, contact an authorized Poseidon Service Center for repair.



T#	TIME (SEC)	DESCRIPTION	ERROR CODE	SOLUTION
18	4,5	HUD LED. This test measures the amount of electrical current consumed by the red LED in the Head-Up Display (HUD), when activated.	11=Current too low 12=Current too high	1) Standard Response; 2) If test failure persists, or if no faint “click” sound from the main electronics module can be heard at the start of this test, contact an authorized Poseidon Service Center for repair.
19	4,5	HUD LED. This test measures the amount of electrical current consumed by the green LED in the Head-Up Display (HUD), when activated.	11=Current too low 12=Current too high	1) Standard Response; 2) If test failure persists, or the Battery LED does not turn on during this test, contact an authorized Poseidon Service Center for repair.
20	4,5	Buddy-Light LED. This test measures the amount of electrical current consumed by the red LED in the battery (Buddy-Light), when activated.	11=Current too low 12=Current too high	1) Standard Response; 2) If test failure persists, or the Battery LED does not turn on during this test, contact an authorized Poseidon Service Center for repair.
22	4,5	HUD Vibrator. This test measures the amount of electrical current consumed by the vibrator motor in the Head-Up Display (HUD), when activated.	11=Current too low 12=Current too high	1) Standard Response; 2) If test failure persists, or the HUD does not vibrate during this test, contact an authorized Poseidon Service Center for repair.
23	120	Intro Test. Mouthpiece Closed-Circuit Position. This test requires that the mouthpiece be in the Closed-Circuit (CC) position in order to pass. During this test, if the system does not detect the CC position, the red LED and the vibrator on the Head-Up Display (HUD) will pulse continuously to signal the diver to adjust the mouthpiece position.	0=Timeout	1) Ensure that the mouthpiece is fully in the CC position (sometimes requires firm pressing on the mouthpiece lever); 2) Ensure that the HUD is properly positioned on the top of the mouthpiece, and that the exhaust cover is holding it tightly in place; 3) If test failure persists, contact an authorized Poseidon Service Center for repair.
24	9	Metabolic O ₂ Solenoid #1. This test measures the amount of electrical current consumed by the first metabolic solenoid valve, when activated. It does not check that the solenoid actually opens and closes (verified during the Positive Pressure Loop Test, t49).	11=Current too low 12=Current too high 87=Voltage too low 88= Voltage too high	1) Standard Response; 2) If test failure persists, or the HUD LED does not turn on during this test, contact an authorized Poseidon Service Center for repair.
25	9	Metabolic O ₂ Solenoid #2. This test measures the amount of electrical current consumed by the second metabolic solenoid valve, when activated. It does not check that the solenoid actually opens and closes (verified during the Positive Pressure Loop Test, t49).	11=Current too low 12=Current too high 87=Voltage too low 88= Voltage too high	1) Standard Response; 2) If test failure persists, or if no faint “click” sound from the main electronics module can be heard at the start of this test, contact an authorized Poseidon Service Center for repair.



T#	TIME (SEC)	DESCRIPTION	ERROR CODE	SOLUTION
26	9	Oxygen Calibration Solenoid. This test measures the amount of electrical current consumed by the oxygen calibration solenoid valve, when activated. It does not check that the solenoid actually opens and closes (verified during the Positive Pressure Loop Test, t49).	11=Current too low 12=Current too high 87=Voltage too low 88= Voltage too high	1) Standard Response; 2) If test failure persists, or if no faint “click” sound from the main electronics module can be heard at the start of this test, contact an authorized Poseidon Service Center for repair.
27	9	Diluent Calibration Solenoid. This test measures the amount of electrical current consumed by the diluent calibration solenoid valve, when activated. It does not check that the solenoid actually opens and closes (verified during the Positive Pressure Loop Test, t49).	11=Current too low 12=Current too high 87=Voltage too low 88= Voltage too high	1) Standard Response; 2) If test failure persists, or if no faint “click” sound from the main electronics module can be heard at the start of this test, contact an authorized Poseidon Service Center for repair.
29	4,5	Audio Alarm Speaker. This test measures the amount of electrical current consumed by the speaker in the battery (Audio Alarm), when activated.	11=Current too low 12=Current too high	1) Standard Response; 2) If test failure persists, or the Audio Alarm speaker does not sound during this test, contact an authorized Poseidon Service Center for repair.
30	7,5	Oxygen Cylinder Pressure Sensor Validation. This test includes a series of tests that confirm that power can be supplied to the oxygen cylinder pressure sensor, and that the signal from the sensor is within limits (regardless of whether the cylinder valve is turned on).	14=Locked on 15=Locked off 16=Defective	1) Standard Response; 2) If test failure persists, contact an authorized Poseidon Service Center for repair.
31	7,5	Diluent Cylinder Pressure Sensor Validation. This test includes a series of tests that confirm that power can be supplied to the diluent cylinder pressure sensor, and that the signal from the sensor is within limits (regardless of whether the cylinder valve is turned on).	17=Locked on 18=Locked off 19=Defective	1) Standard Response; 2) If test failure persists, contact an authorized Poseidon Service Center for repair.
34	2	Primary Oxygen Sensor Validation. This test measures the voltage output from the primary oxygen sensor, to ensure it exceeds a minimum threshold value. Although it is possible that the gas mixture in the breathing loop is hypoxic, a failure of this test more likely indicates a failed oxygen sensor and / or a broken wire. This test does not ensure proper function of the sensor (verified during the calibration routine, t53).	26=Voltage low 27=Voltage very low, missing?	1) Inspect the primary oxygen sensor, the wires leading from it, and the electrical contacts at the back of the sensor cavity, and replace the sensor and/or wires if either are suspect; 2) Standard Response; 3) If test failure persists, contact an authorized Poseidon Service Center for repair.



T#	TIME (SEC)	DESCRIPTION	ERROR CODE	SOLUTION
35	2	Secondary Oxygen Sensor Validation. This test measures the voltage output from the secondary oxygen sensor, to ensure it exceeds a minimum threshold value. Although it is possible that the gas mixture in the breathing loop is hypoxic, a failure of this test more likely indicates a failed oxygen sensor and / or a broken wire. This test does not ensure proper function of the sensor (verified during the calibration routine, t53).	26=Voltage low 27=Voltage very low, missing?	1) Inspect the secondary oxygen sensor, the wires leading from it, and the electrical contacts at the back of the sensor cavity, and replace the sensor and/or wires if either are suspect; 2) Standard Response; 3) If test failure persists, contact an authorized Poseidon Service Center for repair.
38	2	Depth/Temperature Sensor Validation. This test ensures that the temperature sensor embedded in the depth sensor is working correctly.	31=Sensor Suspect	1) Standard Response; 2) If test continues to fail, ensure loop temperature is within limits; 3) If test failure persists, contact an authorized Poseidon Service Center for repair.
39	120	Intro Test. Mouthpiece Closed-Circuit Position. This test requires that the mouthpiece be in the Closed-Circuit (CC) position in order to pass. During this test, if the system does not detect the CC position, the red LED and the vibrator on the Head-Up Display (HUD) will pulse continuously to signal the diver to adjust the mouthpiece position.	0=Timeout	1) Ensure that the mouthpiece is fully in the CC position (sometimes requires firm pressing on the mouthpiece lever); 2) Ensure that the HUD is properly positioned on the top of the mouthpiece, and that the exhaust cover is holding it tightly in place; 3) If test failure persists, contact an authorized Poseidon Service Center for repair.
40	2	Decompression Status Verification. In this test, the two sets of decompression data (one stored in the rig electronics, and one in the battery), are validated and compared (see relevant discussion in Chapters 1 & 2). In addition to comparing and validating the two sets of tissue-tension data, this test also compares the serial numbers of the battery and the main electronics, as well as the time-stamp on both.	35=Bad Batt. Deco data 36=Bad Rig Deco data 37=Ser. Num. Mismatch 38=Time Mismatch 39=No Deco data	The most common cause of failure of this test is inserting a battery from one user into the rig of another user. In such cases, the decompression data will not match. The first automatic pre-dive routine to encounter this condition will fail, alerting the diver to the mis-matched data. Either replace the battery with the correct one or confirm the battery switch by using the wet switch dry/wet sequence and the pre dive tests will continue. The system will assume the worst-case set of decompression data among the two disparate sets. 1) Standard Response; 2) If test failure persists, contact an authorized Poseidon Service Center for repair.
41	120	This test requires the user to confirm that: 1. They have a canister installed 2. It contains sufficient unused absorbent to complete the dive.	0=Timeout	1) Ensure to confirm canister good via wet switch wet procedure. 2) If test failure persists, contact an authorized Poseidon Service Center for repair.



T#	TIME (SEC)	DESCRIPTION	ERROR CODE	SOLUTION
43	120	Mouthpiece Open-Circuit Position. This test requires that the mouthpiece be in the Open-Circuit (OC) position in order to pass. During this test, if the system does not detect the OC position, the red LED and the vibrator on the Head-Up Display (HUD) will pulse continuously to signal the diver to adjust the mouthpiece position.	0=Timeout	1) Ensure that the mouthpiece is fully in the OC position (sometimes requires firm pressing on the mouthpiece lever); 2) Ensure that the HUD is properly positioned on the top of the mouthpiece, and that the exhaust cover is holding it tightly in place; 3) If test failure persists, contact an authorized Poseidon Service Center for repair.
44	120	Sufficient Oxygen Supply Pressure. This test requires that the oxygen cylinder contains sufficient pressure for a dive to be started (at least 25% of maximum capacity).	0=Timeout	1) Ensure the oxygen cylinder is connected to the oxygen regulator, and that the valve is turned on; 2) Ensure that the oxygen cylinder contains sufficient pressure; 3) If test failure persists, contact an authorized Poseidon Service Center for repair.
45	120	Sufficient Diluent Supply Pressure. This test requires that the diluent cylinder contains sufficient pressure for a dive to be started (at least 25% of maximum capacity).	0=Timeout	1) Ensure the diluent cylinder is connected to the diluent regulator, and that the valve is turned on; 2) Ensure that the diluent cylinder contains sufficient pressure; 3) If test failure persists, contact an authorized Poseidon Service Center for repair.
48	1	Sufficient Battery Capacity. This test ensures that the battery has a sufficient charge to start a dive. The minimum necessary charge depends on how long it has been (both in terms of time and number of charge cycles) since the last Learn Cycle (see Chapter 1). If 160 days have elapsed since the last Learn Cycle, this test will always fail.	57=Charge Insufficient 58=Learn Cycle required 87=Voltage too low 88= Voltage too high	1) Standard Response; Insert battery into the charger. 2) Subject battery to a Learn Cycle on the charger (see Chapter 1); 3) If test continues to fail, try a different battery (subject to decompression data issues); 4) If test failure persists, contact an authorized Poseidon Service Center for repair.
49	120	Positive Pressure Loop Test. Besides checking for leaks in the breathing loop, this test checks several additional things, including leaks in any of the four solenoid valves, that gas actually passes through each of the two metabolic solenoid valves, that the dump valve on the right counterlung is secured, and that the depth sensor is sensitive to small pressure changes. Because there are several things being checked during this test, there are also several different kinds of failures, with different solutions.	46=Failed to fill loop in time 47=Solenoid 1 failed to raise loop pressure	1) Ensure mouthpiece is in OC mode; 2) Ensure oxygen cylinder valve is connected and turned on, with sufficient pressure; 3) Ensure all connections, seals, and o-rings for the breathing hose connections, Water Diversion Manifolds, Electronics Module, and bottom cover of the gas processing unit are attached and seated correctly; 4) Inspect for tears, cuts or punctures in the counterlungs and breathing hoses; 5) If test failure persists in spite of a sealed loop, contact an authorized Poseidon Service Center for repair.



T#	TIME (SEC)	DESCRIPTION	ERROR CODE	SOLUTION
			49=Loop Leaking 48=Solenoid 2 failed to fill the loop in time. 50=Valve Leaking 89=The mouth piece was moved from the OC position during the loop pressure test	1) Ensure dump valve on right counterlung is turned all the way clockwise; 2) Ensure oxygen cylinder valve is connected and turned on, with sufficient pressure; 3) Inspect for tears, cuts or punctures in the counterlungs and breathing hoses; 4) If test failure persists in spite of a sealed loop, contact an authorized Poseidon Service Center for repair. 1) Ensure breathing loop is stable during test; 2) If test failure persists in spite of a sealed and stable loop, contact an authorized Poseidon Service Center for repair.
50	120	Mouthpiece Closed-Circuit Position. This test requires that the mouthpiece be in the Closed-Circuit (CC) position in order to pass. During this test, if the system does not detect the CC position, the red LED and the vibrator on the Head-Up Display (HUD) will pulse continuously to signal the diver to adjust the mouthpiece position.	0=Timeout	1) Ensure that the mouthpiece is fully in the CC position (sometimes requires firm pressing on the mouthpiece lever); 2) Ensure that the HUD is properly positioned on the top of the mouthpiece, and that the exhaust cover is holding it tightly in place; 3) If test failure persists, contact an authorized Poseidon Service Center for repair.
51	120	Helium Fraction Confirmation test. This test will be run if a rig is enabled for decompression or if the diluent configuration is not air. It will display the assumed fraction of Helium in the diluent.	0=time out	1)Ensure to confirm fraction via wet switch wet procedure. 2) If test failure persists, contact an authorized Poseidon Service Center for repair.
52	120	Oxygen Fraction Confirmation test. Description; This test will be run if a rig is enabled for decompression or if the diluent configuration is not air. It will display the assumed fraction of Oxygen in the diluent.	0=time out	1)Ensure to confirm fraction via wet switch wet procedure. 2) If test failure persists, contact an authorized Poseidon Service Center for repair.
53	120	Oxygen Sensor Calibration. Like the Positive Pressure Loop Test (t49), this test check several things besides performing an oxygen sensor calibration, including the composition of the diluent and oxygen supplies, the proper functioning of both the oxygen and diluent calibration solenoid valves, and other parameters associated with the oxygen sensor behavior. The mouthpiece must remain in the CC position for the duration of this test.	66=Diluent FO2 Bad 71=Oxygen FO2 Bad	1) Ensure Diluent and Oxygen cylinders have the correct oxygen percentage; 2) Make sure that you have connected the oxygen- and diluent tanks to the correct connection on the pneumatic block; 3) Replace Primary oxygen sensor with a known good sensor; 4) Ensure CO ₂ absorbent cartridge is installed correctly; 5) Ensure breathing loop temperature is within range limits; 6) If test failure persist, contact an authorized Poseidon Service Center for repair. 1) Ensure Diluent has correct oxygen percentage; 2) If test failure persists, contact an authorized Poseidon Service Center for repair.



T#	TIME (SEC)	DESCRIPTION	ERROR CODE	SOLUTION
			67=Primary Dil. Low 68=Primary Dil. High 72=Primary O2 Low 73=Primary O2 High 76=Bad Time Constant	1) Ensure Diluent and Oxygen cylinders have the correct oxygen percentage; 2) Make sure that you have connected the oxygen- and diluent tanks to the correct connection on the pneumatic block; 3) Replace Primary oxygen sensor with a known good sensor; 4) Ensure CO ₂ absorbent cartridge is installed correctly; 5) Ensure breathing loop temperature is within range limits; 6) If test failure persist, contact an authorized Poseidon Service Center for repair.
			69=Secondary Dil. Low 70=Secondary Dil. High 74=Secondary O2 Low 75=Secondary O2 High	1) Ensure Diluent and Oxygen cylinders have the correct oxygen percentage; 2) Make sure that you have connected the oxygen- and diluent tanks to the correct connection on the pneumatic block; 3) Replace Primary oxygen sensor with a known good sensor; 4) Ensure CO ₂ absorbent cartridge is installed correctly; 5) Ensure breathing loop temperature is within range limits; 6) If test failure persist, contact an authorized Poseidon Service Center for repair.
			77=Not in CC Mode	1) Ensure that the mouthpiece is FULLY in the CC position (sometimes requires firm pressing on the mouthpiece lever), and that the HUD is properly positioned on the top of the mouthpiece.
54	120	Open-Circuit Regulator Check. This test ensures the proper function of the integrated open-circuit. To pass the test, place the mouthpiece in the open-circuit position and take several breaths from the regulator. After an appropriate pressure drop in the diluent cylinder has been detected, the test completes.	0=Timeout	1) Ensure that the mouthpiece is FULLY in the OC position (sometimes requires firm pressing on the mouthpiece lever); 2) Ensure several breaths are taken from the integrated open-circuit regulator within the time allowed to complete this test; 3) Contact an authorized Poseidon Service Center for servicing.
55	10	Service Interval. This test ensures that the rebreather has been properly serviced within the past two years (104 weeks). The number of weeks remaining until servicing is required is shown in the lower-right corner of the primary display, where the elapsed dive time is normally shown.	81=Servicing Required 84=Battery missing from network	Contact an authorized Poseidon Service Center for servicing.



CATEGORY	DESCRIPTION	SOLUTION
Mouthpiece	HUD Seating. If the Head-Up Display becomes unseated or out of alignment, there may be frequent failures of Pre-Dive Test 28 or 33, or errors concerning "No Circuit" (nc) on the Primary Display (see Chapter 3).	1) Ensure that the mouthpiece is fully in the OC or CC position (sometimes requires firm pressing on the mouthpiece lever); 2) Ensure that the HUD is properly positioned on the top of the mouthpiece, and that the exhaust cover is holding it tightly in place; 3) If test failure persists, contact an authorized Poseidon Service Center for repair.
Absorbent Cartridge	Cracked Absorbent Cartridge. The plastic housing of the SofnoDive® 797 CO ₂ absorbent cartridge can sometimes develop a crack if it is dropped or due to mishandling during shipment.	1 Do NOT attempt to dive with a cracked absorbent cartridge. If gas leaks through the cartridge wall, CO ₂ may bypass the absorbent material, and enter the inhalation side of the breathing loop, which can cause CO ₂ poisoning. Always replace a cracked cartridge with a new one.
Counterlungs	Counterlungs Shift Position Underwater. The counterlungs may shift position underwater, floating up above the diver's shoulders, or squeezing the diver's neck.	Use the various adjustable straps on the counterlungs to secure them in the proper position (see Chapter 3 of this Manual). It may take several attempts in a pool or other confined body of water to get them just right, but the effort is well worth it. Well-positioned counterlungs reduce the work of breathing.
Cylinders	Misaligned Cylinders. If the cylinders are not attached to the backpack at the same height, the rig will wobble back and forth and be unstable when standing upright.	Loosen the cylinder cam straps on one of the two cylinders, and carefully adjust its height such that both cylinders are the same height. When the cylinders are mounted properly, the unit should stand upright without wobbling.
Pneumatics	Leaking Fittings. A small stream of bubbles may be seen emanating from one or more of the fittings on the open-circuit mouthpiece supply hose, the hoses that connect the first stage regulators to the pneumatics block on the electronics module, or from one of the high-pressure sensors.	1) Ensure all fittings are snugly attached; 2) Remove the hose from the leaking fitting to inspect the o-ring and sealing surfaces for signs of damage, and clean or replace o-rings as needed; 3) If leaking persists, contact an authorized Poseidon Service Center or dive shop for repair.
Electronics	PO ₂ Setpoint Limited to 1.0 bar / atm. The system is configured for a "deep" PO ₂ setpoint value greater than 1.0 bar / atm, but the setpoint never increases above 1.0 bar / atm, even when the depth is greater than 15 m / 50 ft.	This situation occurs when the Hyperoxic Linearity Test fails, or has not been completed. This test is performed the first time the depth reaches 6 m / 20 ft, and setpoint values greater than 1.0 bar / atm are not allowed until after this test has been performed and passes. See Chapter 3 of the Manual.



Appendix 2

DECO 40 / DECO TRIMIX 48 / DECO TRIMIX 60 / DEEP 100

1. Introduction

The SE7EN can support decompression diving. To be able to perform decompression dives, you need two things: 1) the appropriate training, and 2) a decompression-enabled battery module.

The decompression battery module is available in four versions: Blue, Yellow, White or Black.

- The *Yellow* battery module allows decompression dives to a maximum depth of 40m with air in the on board diluent gas.
- The *Blue* battery module allows decompression dives to 48m with normoxic trimix minimum 16% oxygen content in the on board diluent gas.
- The *White* battery module allows decompression dives to 60m with normoxic trimix minimum 16% oxygen content in the on board diluent gas.
- The *Black* battery module allows decompression dives to 100m with hypoxic trimix minimum 1% oxygen content in the on board diluent gas.

The decompression diving battery modules give you the opportunity to do both recreational no-decompression diving and technical diving without changing the battery or SE7EN firmware.

The five different battery modules, referred to as the “Recreational 40m”, “Deco 40m”, “Deco 48m Trimix”, “Deco 60m Trimix” and “Deep 100m” batteries, each have different hardware keys. They are all independent from each other and are not sensitive to firmware changes.

WARNING:

The battery is your personal decompression diving key, do not lend it to anyone who is not properly trained in its use.

Only properly trained divers are allowed to use either of the decompression-enabled battery modules with a SE7EN rebreather.

WARNING:

Diving to 60m affects the canister duration. The canister has been tested for a duration of 120 minutes at 60m. According to EN 14143:2013 the canister duration is to be determined via a full dive profile. This is proven within the formal testing of the Poseidon SE7EN by an accredited laboratory. Conducting a 100m dive with 10minutes bottom time, using a prepacked canister (Sofndive 797) it was determined that such a dive profile is within the canister duration. The dive was carried out using a 11/69 Trimix, following the WeDive plan. Test conditions were as follows; Water temp 4°C, and a breathing rate of 40lpm producing 1.6 l CO₂ per minute at STPD (Standard Temperature & Pressure, Dry).



Figure A2-1. The Poseidon SE7EN Battery range.



2. Assembly Technical 60 m Counterlungs to BCD / Harness / Regulators

Attach the counterlungs to the shoulder straps of your BCD/Harness using the velcro straps on the back side of each counterlung.

Upper counterlung shoulder strap to tank band connection.

Connect the small male plastic clip on the upper part of the counterlung to the female plastic clip attached to the tank strap on the same side as the counterlung.

Adjust the position of the counterlung using the strap on each male plastic clip.

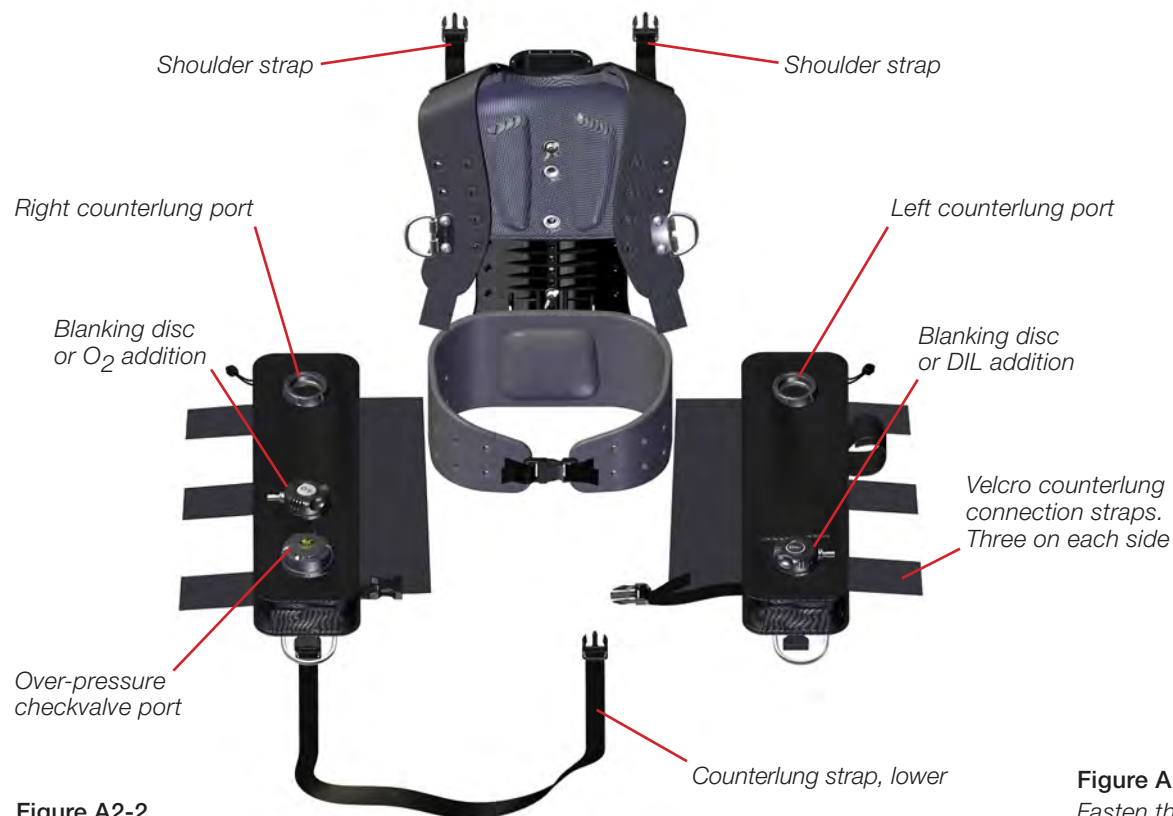


Figure A2-2.

Lay out both left and right hand counterlungs and their water diversion manifolds.

The counterlungs on the Poseidon SE7EN are designed to attach to the backpack straps and to be moveable along the straps. An upper adjustable-length quick connect buckle anchors the top end of the counterlungs to the gas processor (Figure 1-16). Three velcro straps on the back of each counterlung (Figure 1-16) attach the counterlungs to the shoulder straps of the backpack. The SE7EN is provided with a lower D-ring and a crotch strap that connect to the bottoms of each counterlung. Using this system the user can fix the counterlungs as high or low on the harness straps as desired to reduce the work of breathing.



Figure A2-3.

Fasten the upper counterlung position with the adjustable-length quick-connect buckle. Attach the three velcro retainers to the Platform harness straps.



Rear CC hoses to counterlung

T-connections.

Connect the T-connection to the top port in each counterlung.
Refer to chapter 1 section 4 and 5 for more information about how to connect the T-connections and CC hoses.

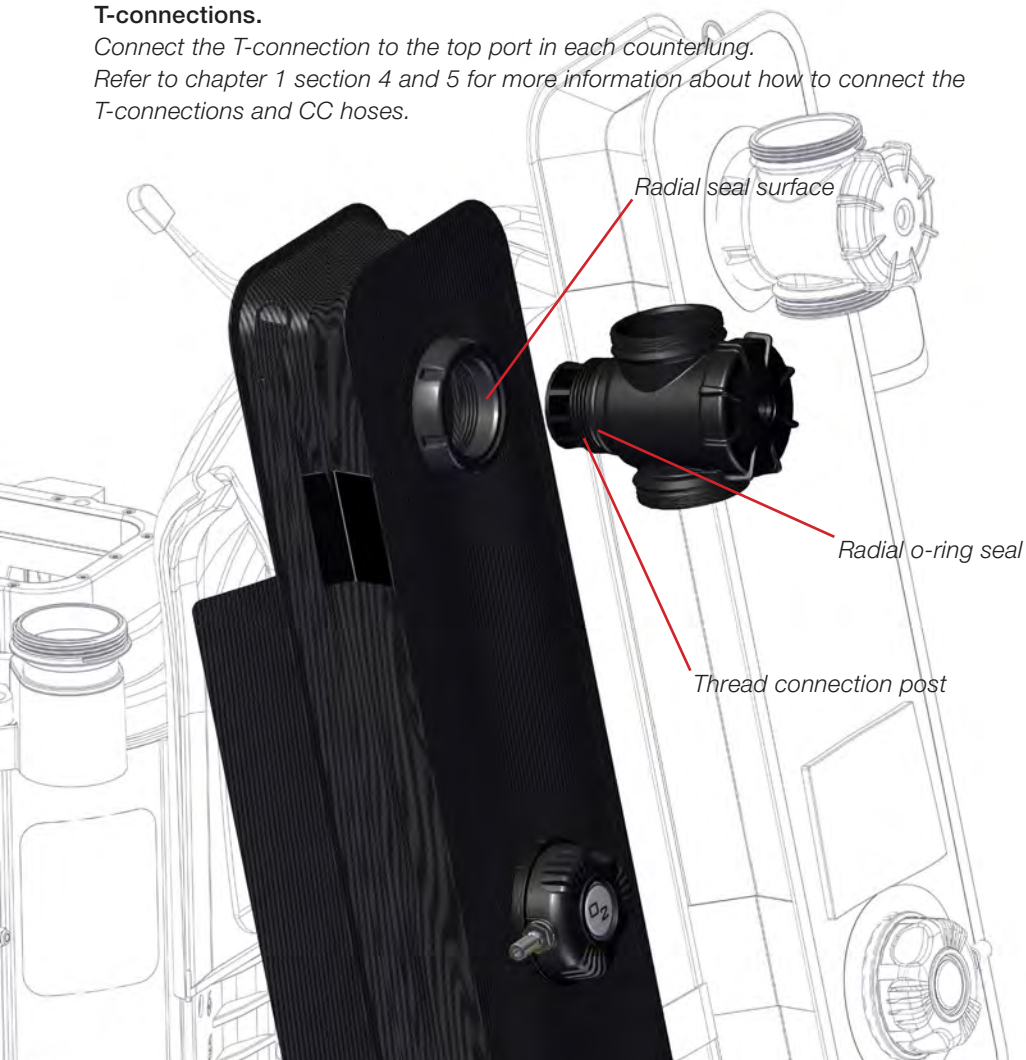


Figure A2-4. Insert the right hand water diversion manifold into the port on the right counterlung. Clockwise tighten the water diversion manifold into the right and left counterlung shoulder port. Note the correct orientation, further described in chapter 1, section 4.

Manual addition

The additional ports on the counterlungs can be used for Oxygen and Diluent manual gas addition valves for technical diving capabilities. These valves can be replaced with blank covers if manual gas addition capabilities are not required (e.g., for recreational diving). The port for the manual Oxygen addition valve (right counterlung) is intentionally placed higher than the diluent addition valve (left counterlung). This forces the diver to think prior to manually adding oxygen to the unit.

Manual addition O₂

The manual oxygen valve on the right counterlung allows you to add oxygen into the loop when attached. It will feed in more oxygen the longer the button is pressed.



WARNING:

Manual additions requires adequate training and can cause serious injury or death if not used correctly.

Manual addition Dil

The manual diluent valve on the left counterlung allows you to add diluent into the loop when attached. It will feed in more diluent the longer the button is pressed.

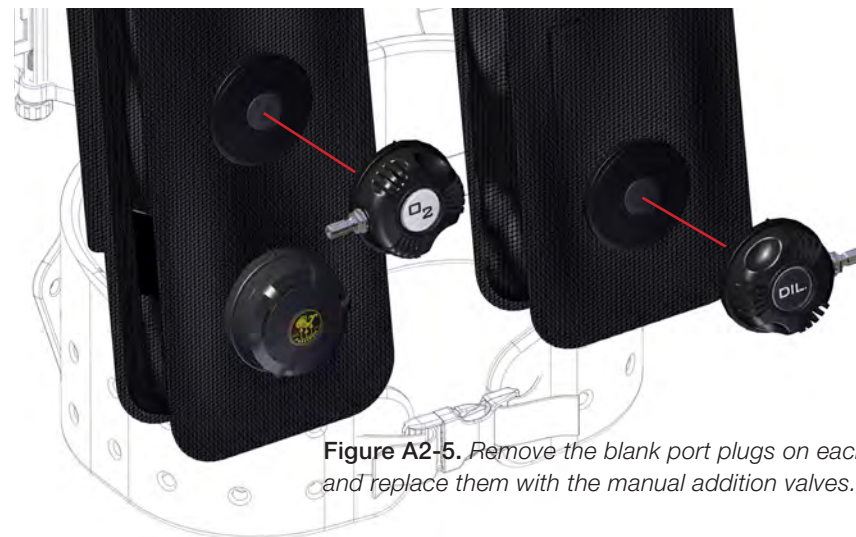


Figure A2-5. Remove the blank port plugs on each counterlung and replace them with the manual addition valves.



Routing the inflator hoses

Connect the the O₂ inflator hose “marked O₂” to your onboard O₂ gas supply (or any other offboard source). Route the hose over your right shoulder and connect to the O₂ inflator valve through the quick connection.

Connect the the diluent inflator hose to your onboard diluent gas supply (or any other offboard source). Route the hose over your left sholder and connet to the diluent inflator valve though the quick connection.

The valves described above can be supplied with any other gas supply. E.g. your onboard oxygen is empty but you have a bailout stage with oxygen or another gas that you would like to manually add to the loop.



WARNING:

Gas plugged in to the system needs to be selected carefully to avoid hazardous loop PO₂.



Figure A2-6. LP hose routing.



3. Configuring the SE7EN for decompression diving

The SE7EN can be set up differently for different types of dives through the PC configuration software tool. This tool can be downloaded from the Poseidon website, www.poseidon.com

Decompression permitted

The Blue, Yellow, White and Black batteries are configured by the factory to allow decompression diving. Once a battery module configured for decompression diving is inserted into a SE7EN rebreather, a parameter in the rebreather is set to allow (optionally) decompression diving. Only Poseidon can set this 'Decompression permitted' parameter. Without the proper battery for decompression diving, none of the parameters described below can be altered.

Decompression enabled

Once a battery module that allows decompression is inserted into a SE7EN rebreather, the user can then select whether the rig is *enabled* for decompression before any particular dive. If this parameter is not set, then the battery behaves as though it is a non-decompression rig. This feature allows the diver to decide whether the rebreather should function as a decompression-enabled rebreather, or as a standard no-decompression rebreather, on any particular dive. This parameter is altered through the configuration tool.

40m Deco Version

With the yellow Deco 40m battery module, the user may use the PC configuration software tool to enable or disable decompression diving.

48m/60m/100m Deco Trimix Version

As with the yellow Deco 40m battery module, the blue Deco 48m, the white Deco 60m and black 100m Trimix battery modules allow the user to enable or disable decompression using the configuration software tool. In addition, these battery modules allow the user to alter the diluent gas mixture.

Using either the 48 or 60m Trimix batteries the SE7EN will only accept "normoxic" diluent mixtures (a minimum of 16% oxygen). Helium content is limited to 0-84% and N₂ to 0-80%. Moreover, the blue Deco 48m Trimix battery module allows dives to a maximum of 48 meters and White Deco 60m Trimix to 60 meters. Using the 100m Deep battery the Poseidon SE7EN will accept any diluent mixture with an oxygen fraction equal to or higher than 1%.

Decompression and TTS settings can be altered at any time until dive start meanwhile gas mixtures only can be altered until test 50 has been reached. When decompression is enabled, the "ceiling" indicator will be lit on the LCD screen.

Maximum TTS

All technical battery modules include a unique feature: the ability for a diver to set a maximum TTS value. This feature makes it easier to plan decompression dives, because this value determines when the system warns the diver that the limit has been reached. The generated alarm response will be similar to the alarm shown when the diver exceeds the maximum working depth of the rig. This value also affects the way the controlling resource algorithm (CRA) works, as described below. This parameter is altered through the configuration tool.



4. Pre-Dive Procedures with a Poseidon SE7EN enabled for Decompression Diving

It is possible to determine whether a rig is configured for decompression diving by examining the ceiling indicator during the pre-dive routine. The ceiling indicator will be blank for a standard rig and be lit flash for a SE7EN enabled for decompression diving.

48m/60m/100m Trimix

On a unit with the blue 48m, 60m or 100m Trimix battery installed, the diver will be prompted to confirm the helium fraction (pre-dive test 51) and O₂ fraction (test 52) of the diluent mixture. This test occurs immediately after the mouthpiece 'CC' test (test 50), and will occur only if the SE7EN is configured for decompression diving, or if the configured diluent is not air (the test is not performed if the rig is not configured for decompression diving and the diluent is already configured as air).

The rig will display 'HE' 'Fr' 'nn' or 'O₂' 'Fr' 'nn' in succession in the PO₂ field, where 'nn' is the assumed helium or oxygen fraction in the diluent. The diver will have to acknowledge this by going through the standard wet/dry sequence (see chapter 2, Electronics Power-Up, in the SE7EN manual). If the helium or oxygen fraction is incorrect, the diver can either:

1. Use the Bluetooth link to change it to the correct value. The new value will appear in the LCD.
2. Let the test timeout (two minutes) at which point the rig will shut down.

5. Switching batteries

If a rig has been configured with a gas mixture other than air on a SE7EN using a 48m, 60m or a 100m battery, and then a 40m Deco battery or Recreational 40m battery is then inserted into the rig, the user will be given a special prompt during the pre-dive to confirm that diluent will be automatically changed to air.

Procedure

After inserting a Recreational 40m or yellow Deco 40m battery into a SE7EN that was previously configured for non-air diluent (e.g., trimix), the pre-dive routine will display tests 51 and 52 as described above for the user to confirm and acknowledge that the diluent will be air (0% Helium, and 21% oxygen). If these tests are completed successfully, the unit will automatically switch the diluent composition to air. If the Recreational 40m battery or Deco 40m battery was inserted by mistake, the diver should NOT confirm these tests. Instead, the test should be allowed to time out (two minutes) after which the rig will power-down, and then the correct (Deco 48m/60m) battery can be inserted. In this case, the original non-air diluent will be retained.

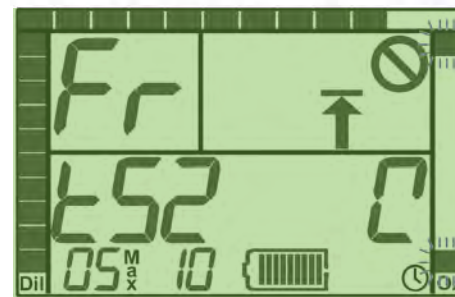
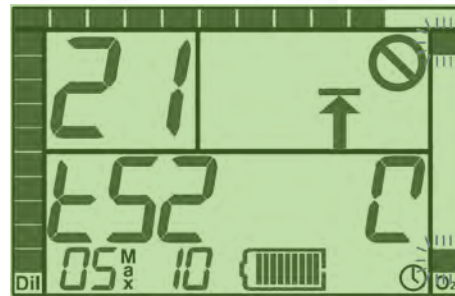
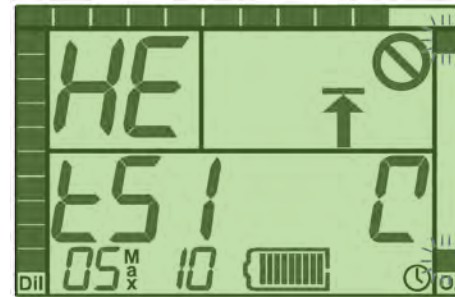


Figure A2-7: Helium confirmation screens at test 51, showing the alternating values of "HE" (for "Helium"; top), "Fr" (for "Fraction"; middle), and a numeric value (indicating the assumed fraction of Helium; bottom) for the diluent mixture.

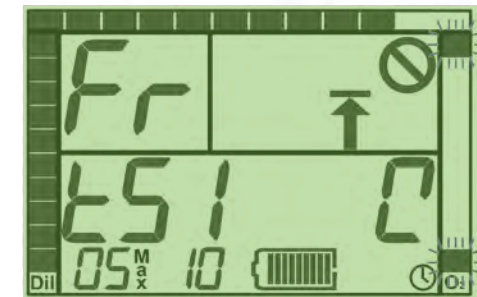
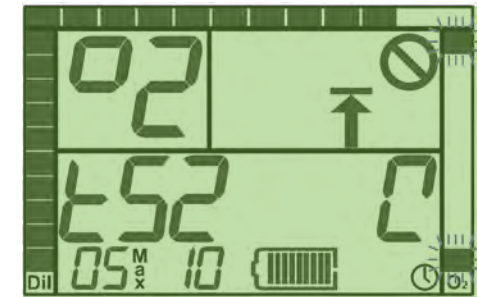


Figure A2-8: Oxygen confirmation screens at test 52, showing the alternating values of "o2" (for "Oxygen"; top), "Fr" (for "Fraction"; middle), and a numeric value (indicating the assumed fraction of Oxygen; bottom) for the diluent mixture.



6. Decompression Diving with the SE7EN

A SE7EN enabled for decompression diving will behave differently compared to a SE7EN that is not configured for decompression diving. Important changes in the functionality when a diver approaches and enters decompression are:

- The ceiling indicator will not flash. It will just be on and not flashing. When the ceiling indicator is on, the alert triangle will not be on.
- The rig will not issue an alarm (HUD & Buddy lights, Audio Alarm) when decompression is entered.” There is no audio alarm when decompression is entered on a non-decompression configuration.
- When the mouthpiece is found to be in an indeterminate state (neither in Open-Circuit nor Closed-Circuit position) a different audio alarm signal will alert the diver to correct the mouthpiece position. The reason for this is that when the mouthpiece is in an indeterminate position, decompression is calculated as though the diver is breathing in open-circuit mode. The alarm helps prevent the diver from being penalized from a decompression point of view.

Controlling Resource Algorithm (CRA)

A SE7EN enabled for decompression diving has a different controlling resource algorithm (CRA). In a standard SE7EN, the remaining dive time is the minimum of remaining no-decompression dive time (RNDDT), Oxygen supply, Battery supply or OTU's. What this means in practice for most divers on most dives is that the remaining dive time is the RNDDT.

For a decompression-enabled SE7EN, an RNDDT of zero is permissible and will not generate an alarm. Thus, after the RNDDT reaches zero (i.e., when a decompression ceiling exists), the CRA instead only takes into account the Oxygen Supply, Battery Supply, and OTU value when calculating the remaining dive time.

While a decompression ceiling exists, the CRA is not displayed on the LCD screen, because this part of the screen is used for the total decompression time (see chapter 3, dive procedures in the SE7EN manual). However, the CRA is still calculated (excluding the RNDDT value) and used to generate alarms, if needed. Also, whenever a decompression ceiling exists, if the TTS exceeds 80% of the CRA time (for any of the CRA values other than RNDDT), an alarm will alert the diver that the dive must be terminated.

Open-Circuit Bailout

On a SE7EN that is not enabled for decompression diving, the system monitors the amount of gas remaining in the diluent cylinder, and warns the diver when the calculated amount of

diluent is insufficient to reach the surface. When using a SE7EN enabled for decompression diving, the system assumes that the diver is carrying additional gas supplies for open-circuit bailout, and therefore no warnings are given to the diver when the standard diluent supply is insufficient to allow a safe open-circuit bailout to the surface.

WARNING:

Planned decompression diving requires additional training and support equipment. NO NOT attempt to use a SE7EN rebreather for decompression diving without proper training and equipment! In particular, when diving with a SE7EN enabled for decompression diving, it is the DIVER'S RESPONSIBILITY to ensure access to an adequate supply of breathing gas to effect a safe and controlled bailout to the surface, including full decompression requirements!

Setpoint

A SE7EN enabled for decompression diving uses a different PO₂ setpoint algorithm. The intent of the algorithm is to keep the setpoint higher for longer when a decompression ceiling has been encountered during a dive. This comes at the cost of making buoyancy control more difficult in shallow water. The algorithm will always use the highest setpoint (typically 1.3 bar), subject to the following limitations:

1. The FO₂ is limited to 75%. Thus at the surface the setpoint would be 0.75 bar. At 3m the setpoint would be 0.98 bar, and at 6m and greater the setpoint would be 1.3 bar (for a rig with a 1.3 high setpoint value).
2. The hyperoxic linearity test still applies. Thus a rig that fails the hyperoxic linearity test will not be allowed to use a setpoint > 1 bar. (See chapter 3, hyperoxic linearity test in the SE7EN manual).

Planning your CC Dive and OC bailout

For more comprehensive planning tool use the “WeDive” application which can be used with iPhone and iPad. See AppStore for further information.