



175 NW Washington Street
Lake City, Florida 32055, USA
Web: www.diverite.com
Phone: 386.752.1087
Fax: 386.755.0613

T3200, T3201, T3202 TransPlate Harness

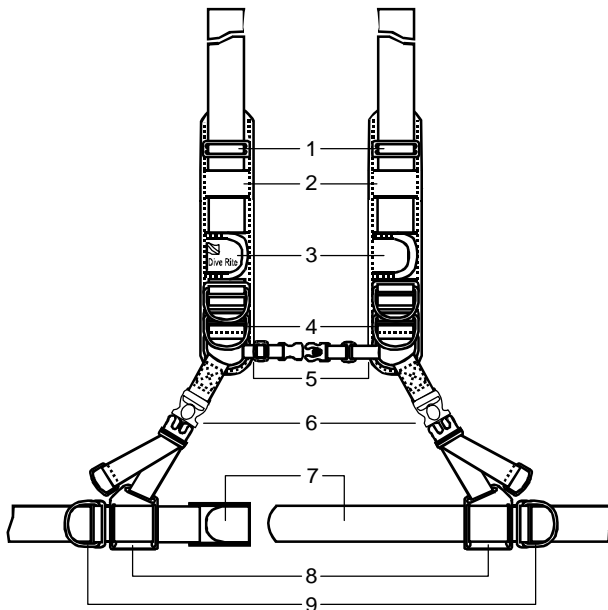
Product description

The TransPlate Harness is designed specifically for use with hard back plates, such as stainless steel, aluminum, or ABS. The TransPlate Harness utilizes many of the features and functions of the TransPac harness, including the padded adjustable shoulder straps that provide maximum comfort and adjustability and the shoulder strap quick release buckles, which allow for quick donning and removal of the harness system. The TransPlate is available in three different sizes and is easily adjustable allowing for the perfect fit. The harness's shoulder straps and waist belt install on any hard back plate. The TransPlate also comes complete with shoulder and waist D-rings and a stainless steel waist buckle.



Features and functions

The TransPlate Harness has many features that perform specific functions. Each feature is detailed below with its position on the TransPlate and its function.



- [1] Stainless steel weight stop: Enables adding or removing D-rings from the shoulder strap.
- [2] Padded shoulder straps: Provides the comfortable fit and sizing adjustment points.
- [3] Self-closing "floating epaulets": Used to keep hoses secured and under control.
- [4] Two-inch (50 mm) shoulder D-rings: Two D-rings on each shoulder strap are bent at a slight angle for better access and can be adjusted for height.
- [5] Cross-chest strap: Used to adjust the TransPlate for proper comfort and fit.
- [6] Shoulder strap quick release buckles: Used to quickly undo the shoulder straps.
- [7] Waist strap: Two-inch (50 mm) waist strap webbing with a stainless quick-release buckle. The waist strap is one solid piece of webbing that weaves through the back plate slots. The waist strap design enables easy mounting of pockets and other accessories.
- [8] Shoulder strap base plates: Stainless plates allow for easy adjustment of the shoulder straps. The plates can be moved back and forth on the webbing strap to get the best fit and performance. The plates are pre-drilled to attach the optional "Tek" D-rings for use with stage bottles.
- [9] Two-inch (50 mm) waist strap D-rings: One D-ring on each side of the waist strap is adjustable to any position on the waist strap.

Attaching the TransPlate Harness to a hard back plate

The TransPlate easily attaches to any hard back plate, such as stainless steel, aluminum, or ABS. The shoulder straps and waist strap attach to the predrilled slots on the back plate.

To attach the TransPlate shoulder straps to a hard back plate:

1. Thread the shoulder strap webbing (longest of 2 pieces with grommets) through the shoulder strap slots at the top of the back plate. Make sure the protective sleeves slide through the slots and are in contact with the back plate. These sleeves protect the webbing from abrasion.
2. Align the grommet hole on the shoulder strap webbing with the hole at the top, center of the back plate.

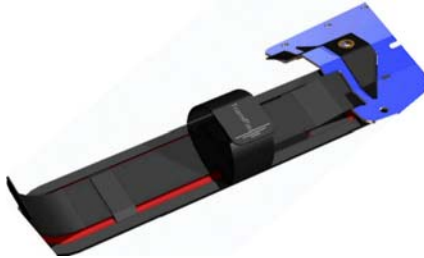


3. Weave one stainless steel weight stop onto each shoulder strap. Position them near the top of the back plate.

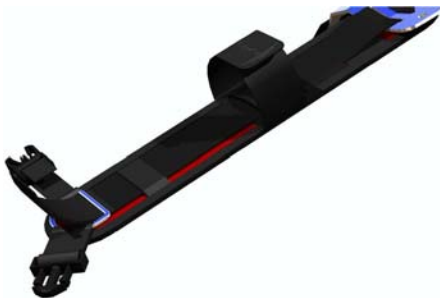
- Slide the shoulder pads onto each shoulder strap so that the Velcro end rests against the top of the back plate. The webbing should pass through one of the two webbing loops (top or bottom) at the top of the shoulder pad. This holds the shoulder pad in place. The top loop corresponds to the larger of the two sizes and the lower loop makes the harness smaller of the two sizes.
-



- Weave each floating epaulet onto the shoulder strap between the upper and lower loops on the shoulder pad. Run the shoulder strap through the lower webbing loop on the shoulder pad.
-



- Attach a second stainless weight stop on each shoulder strap. Position each weight stop so that they sit on the front of the shoulder straps, just below the bottom loop on the shoulder pad.
 - Weave the loose end of each shoulder strap through the pivot rings (where the chest strap attaches) on the harness.
-



8. Weave the loose end of the shoulder strap through one side of the stainless weight stop, add one bent D-ring, and continue weaving the strap through the other side of the weight stop.

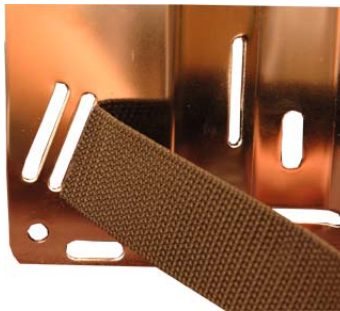


9. Weave the rigid bent D-ring onto the loose end of the shoulder strap, back through the epaulet, and then through the stainless steel weight stop.



To attach the TransPlate waist straps to a hard back plate:

1. Weave the waist strap webbing through the right, inner slot on the bottom of the back plate.



2. Pull the webbing strap through the slot until the protective sleeve is through the slot and the SS loop sewn in the end of the strap is approximately 1/4 inch from the back plate.
3. Weave the webbing strap back through the outer slot on the back plate and through the SS loop until the protective sleeve slides through the slot.



4. Pull the webbing strap until it is snug against the back of the back plate slot.



5. Weave a weight stop and D-ring onto the waist strap.
6. Weave a shoulder strap base plate onto the waist strap.
7. Repeat these steps for the left side waist strap.
8. Attach the buckle to the left side waist strap.

Adjusting the TransPlate Harness

A snug, secure fit is extremely important, which is a chief feature of the TransPlate. Adjusting the TransPlate to fit properly is essential.

Note: Make sure you are wearing your exposure suit when adjusting the TransPlate.

To adjust the TransPlate Harness:

1. Loosen the shoulder and cross-chest straps.
2. Put on the TransPlate and fasten the waist strap so that it is comfortable.
3. To start, slide the shoulder strap base plates (on the waist strap) so that they are approximately four inches from the back plate. You may have to move them

farther forward depending on your size. **Note:** The plates should never be placed forward of your hipbones.

4. Fasten the cross-chest strap so that the shoulder straps are parallel on your chest, but do not tighten it.
5. Partially tighten the shoulder straps.
6. Partially tighten the cross-chest strap.
7. Repeat steps 5 and 6 until you achieve the most comfortable fit.
8. If installed, fasten the optional crotch strap. Tighten the crotch strap until it fits securely.
9. Rock gently from side to side to make sure the harness fits tightly and is secure.
10. Fully inflate the BC wings to ensure it does not restrict your breathing or movement.

Caution: Properly fitted, the TransPlate should not restrict your breathing when the BC wings are fully inflated.

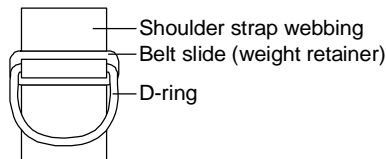
Adding and removing D-rings

To add or remove D-rings from TransPlate shoulder straps, you need to thread and unthread the 2.0-inch (50 mm) shoulder strap webbing through the stainless belt slide (weight retainer) found at the top of the TransPlate where the shoulder straps connect to the back plate.

Note: It is recommended that you only add or remove D-rings from one shoulder strap at a time. This way, you can refer to the other shoulder strap if you have difficulty in routing the webbing strap correctly.

To add or remove D-rings:

1. Pass the loose end of the shoulder webbing strap through the stainless belt slide (weight retainer) found at the top of the shoulder strap.
2. Pass the loose end of the webbing strap through the shoulder strap retaining band (on the shoulder pad), epaulet, and through the belt slide holding the D-rings in place. Only unweave the belt slides if you want to remove the D-ring.
3. Remove or add D-rings to the shoulder strap as desired. Make sure you weave the webbing strap through the belt slide so that the D-ring is held in place. See diagram below.



4. Once the D-rings are in place, route the webbing strap back through the epaulet and the shoulder strap retaining band.
5. Weave the shoulder strap back through the belt slide at the top of the shoulder strap.

Care and maintenance

With proper care and service, your TransPlate can provide you years of safe, enjoyable use. Without proper care, your TransPlate can become damaged and be either unserviceable or dangerous to use.

Note: Stainless steel can develop rust even when properly cared for.

General maintenance procedures

- The sun's ultraviolet rays can fade and damage the TransPlate, shortening its life. Store the TransPlate away from sunlight and excessive heat.
- Keep sharp objects from coming in contact with the TransPlate
- Take care when handling the TransPlate. Do not rest heavy objects on the TransPlate or drag it over rough surfaces
- Due to the type of material used in the construction of the TransPlate, clean it only with fresh water and mild detergent. Chemicals, strong detergents, and cleaning solutions can damage the TransPlate and shorten its life.
- Have the TransPlate inspected yearly by your local, authorized Dive Rite dealer
- Avoid excessive pool use. Excessive use in chlorinated water can lead to premature discoloration and shorten the products life.
- Rinse the TransPlate thoroughly after each use and allow it to dry completely before storing. Dive Rite recommends Salt-X for salt removal (www.salt-x.com).

WARNINGS

Before using your TransPlate, there are several things you must do. These include:

- Obtain a minimum of entry-level open-water scuba diver training and certification from a recognized diver-training organization.
- As part of this training, you must master all the basic skills of buoyancy control, including proper weighting, ascents, descents, surface swimming and resting, and establishing neutral buoyancy under water. This training must also cover (both at the surface and underwater) the use of buoyancy control devices (BCs), oral inflation of BCs, low-pressure inflation of BCs, and deflation of BCs using a variety of methods.
- You must read and understand this owner's manual and all other warnings that accompany the product. If you do not understand some part of this manual, contact Dive Rite or your local authorized Dive Rite dealer.
- Misuse of the TransPlate can result in uncontrolled ascents, descents, or loss of buoyancy control. This, in turn, can cause serious personal injury or death.
- Failure to follow the instructions given in this manual or to heed the warnings it provides can cause equipment loss or damage, serious personal injury, or death.
- The TransPlate is NOT a United States Coast Guard approved personal flotation device (PFD). It will not provide face-up flotation for all users and conditions.
- The TransPlate is not a substitute for adequate swimming and scuba diving skills.
- The TransPlate is not a lift bag. Attempting to use it as such places a diver at extreme risk for a dangerous, uncontrolled ascent.
- The TransPlate should not be used as the sole form of flotation; divers should have additional forms of flotation, such as wetsuits or dry suits, to provide buoyancy in case they need to abandon the TransPlate or it malfunctions.

- Changes to the TransPlate or use of after-market accessories can prevent its proper function or result in damage to the TransPlate. This can cause serious personal injury or death.
- If you wear a weight belt with the TransPlate and are using the optional crotch strap, remember to fasten the crotch strap first and then put the weight belt on over it. Failure to do so may hinder your ability to release the weight belt in an emergency.

Warranty information

Dive Rite will—at its sole discretion—repair or replace TransPlate components proved to be damaged by faulty manufacture or material, at no cost, for a period of up to one year (365 days) from the date of purchase.

This warranty applies only to the original retail purchaser. It does not cover commercial or rental use, nor does it extend to units purchased from other than an authorized Dive Rite dealer.

This warranty specifically excludes color changes, light fastness, or fading. Dive Rite does not accept responsibility for stains or transference or bleeding of color to other items.

If we deem a TransPlate component to be beyond repair — through no fault of the user — then, and only then, will we replace the affected component(s).

To make a claim under this warranty, the owner must have registered his/her warranty using Dive Rite's website (www.diverite.com). All warranty repairs (international or domestic) *must* be accompanied by a copy of the purchase receipt. For warranty repairs (international or domestic) the product must be returned to the *store* where the item was purchased or directly to Dive Rite. A Return Authorization must be obtained by calling Dive Rite corporate offices (386-752-1087) to send items to Dive Rite. No warranty service will be performed for other than registered owners. Note: Local dealers and distributors are not responsible for service of items purchased from unauthorized dealers, internet dealers, or dealers from other territories.

This warranty becomes void if the TransPlate system components are damaged by anything other than normal recreational diving use, or if they have been serviced or repaired by other than authorized Dive Rite dealers.

Repairs made under this warranty will not extend the warranty period.

All further claims, especially for damage after diving accidents, are excluded from coverage under this warranty.

Dive Rite has no obligation to honor any extension of this warranty.

This warranty is in lieu of all other warranties, expressed or implied. No other person or representative is authorized to assume for Dive Rite any other liability in connection with the sale of this product.

Activating and utilizing your warranty

1. To activate your warranty, you must register your TransPlate within 30 days of purchase through our online product warranty registration. This is located within our website at www.diverite.com/warranty.
2. Proof of original ownership is provided by your purchase receipt and should be retained for your records.
3. If you intend to receive your service directly from Dive Rite, you must first obtain a Return Merchandise Authorization (RMA) number by calling Dive Rite at 386-752-1087. Your RMA number is to be printed on the address label of your package.